

NOTE:

1. FIBRE SIZE: 9/125, 50/125 OR 62.5/125
2. FIBRE TYPE:
8 CORE MIL-TAC D Ø6.5mm (WITH BACKSHELL)
900um BUFFERED FIBRE (WITHOUT BACKSHELL)
3. MATERIAL:
SHELL: STAINLESS STEEL 316, PASSIVATED
BACKSHELL: ACETAL, BLACK
4. BACKSHELL CANNOT BE FITTED WHEN MOUNTING FROM FRONT

CONNECTOR WITHOUT BACKSHELL

(SEE SHEET 2 FOR CONNECTOR WITH BACKSHELL)

A		FIRST ISSUE	GM	05/04/18
ISSUE	CHANGE DESCRIPTION		CHECKED	DATE
DRAWN	MATERIAL	FINISH	MILITARY: NO RATING : N/A	
MEH	SEE KIT LIST	SEE KIT LIST		
CHECKED				
GM				

UNLESS OTHERWISE STATED:
ALL DIMENSIONS ARE IN mm

CONFIDENTIAL - THE INFORMATION CONTAINED IN THIS DRAWING IS THE SOLE PROPERTY OF CINCH LTD. ANY REPRODUCTION IN PART OR AS A WHOLE WITHOUT THE WRITTEN PERMISSION OF CINCH LTD IS PROHIBITED

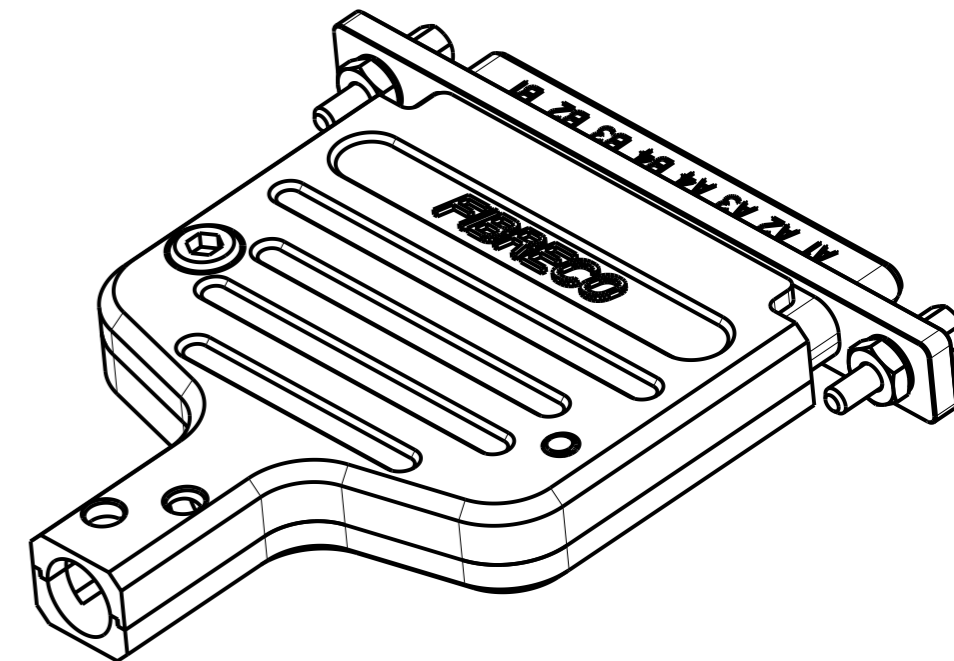
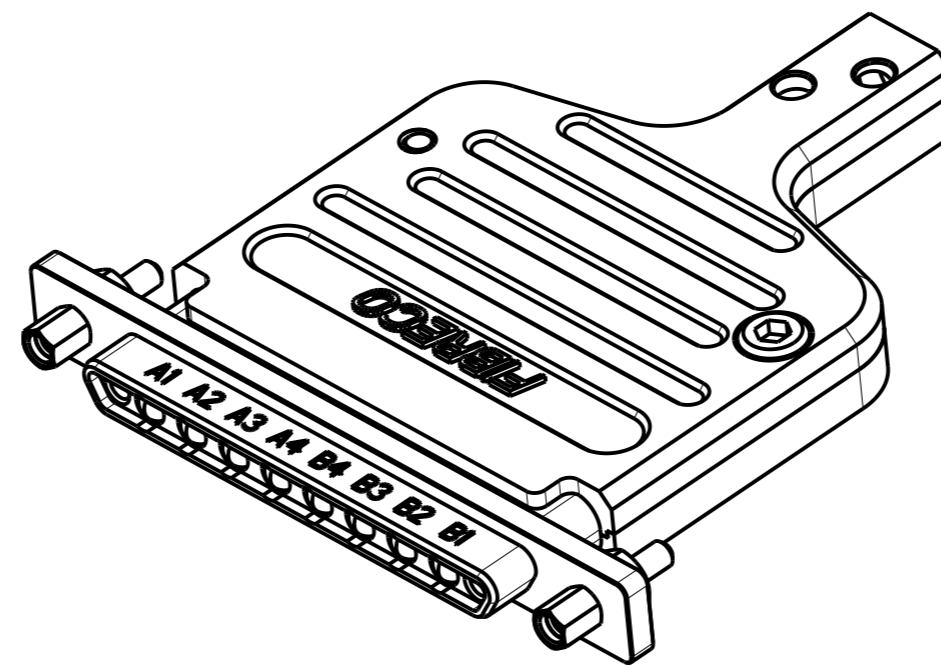
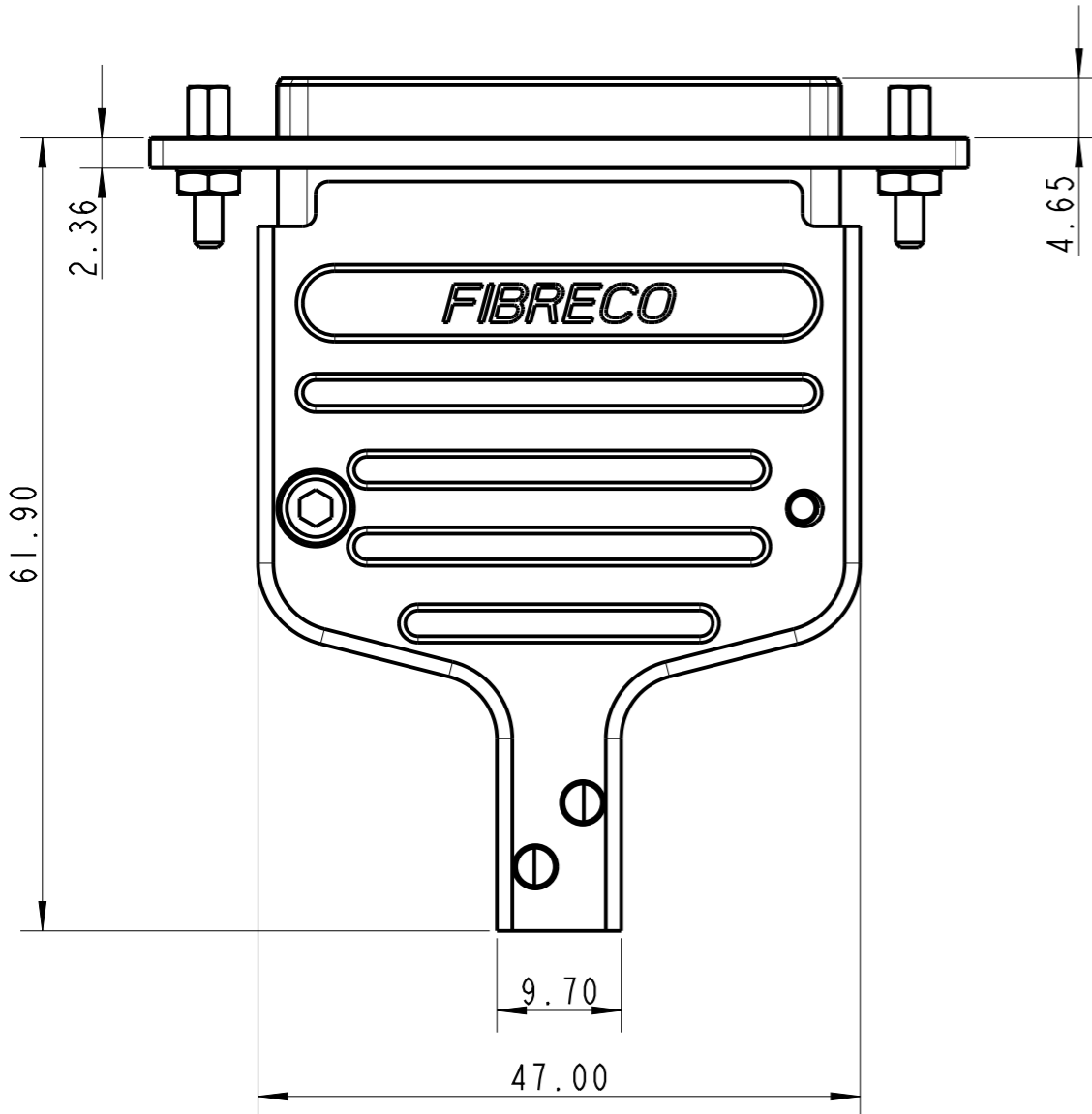
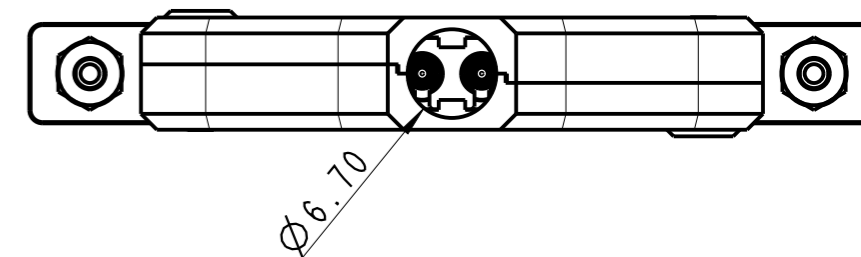
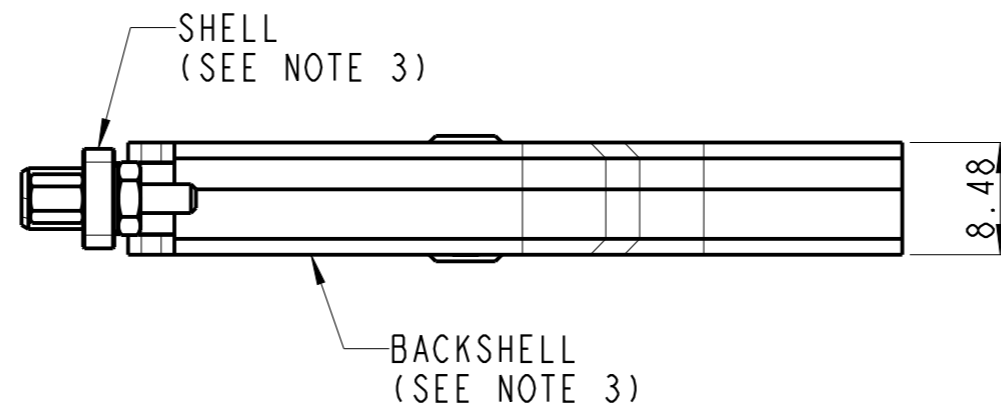
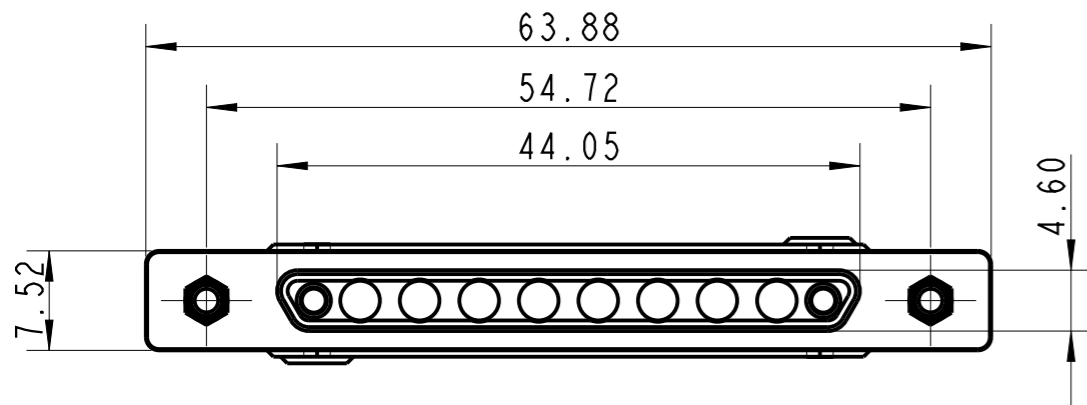
Cinch Connectivity Solutions LTD
11 BILTON ROAD, CHELMSFORD, ESSEX. CMI 2UP
TEL: +44 (0) 1245 342060

THIRD ANGLE
ORIGINAL: A3
SCALE: NTS

FIBRECO DRAWING TITLE
HOUSING STANDARD FLANGE
DURACON-EB PLUG 8CH OUTLINE

FIBRECO DRAWING NUMBER
5504C

SHEET 1
OF 2



CONNECTOR WITH BACKSHELL

(SEE SHEET 1 FOR CONNECTOR WITHOUT BACKSHELL)

SEE SHEET 1 FOR NOTES

A		FIRST ISSUE	GM	05/04/18
ISSUE	CHANGE DESCRIPTION		CHECKED	DATE
DRAWN	MATERIAL	FINISH	MILITARY: NO RATING : N/A	
MEH	SEE KIT LIST	SEE KIT LIST		
CHECKED				
GM				

UNLESS OTHERWISE STATED:
ALL DIMENSIONS ARE IN mm

FIBRECO DRAWING TITLE
HOUSING STANDARD FLANGE
DURACON-EB PLUG 8CH OUTLINE

CONFIDENTIAL - THE INFORMATION CONTAINED IN THIS DRAWING IS THE SOLE PROPERTY OF CINCH LTD. ANY REPRODUCTION IN PART OR AS A WHOLE WITHOUT THE WRITTEN PERMISSION OF CINCH LTD IS PROHIBITED

Cinch Connectivity Solutions LTD
11 BILTON ROAD, CHELMSFORD, ESSEX. CMI 2UP
TEL: +44 (0) 1245 342060

FIBRECO DRAWING NUMBER
5504C

THIRD ANGLE
ORIGINAL: A3
SCALE: NTS

SHEET 2
OF 2