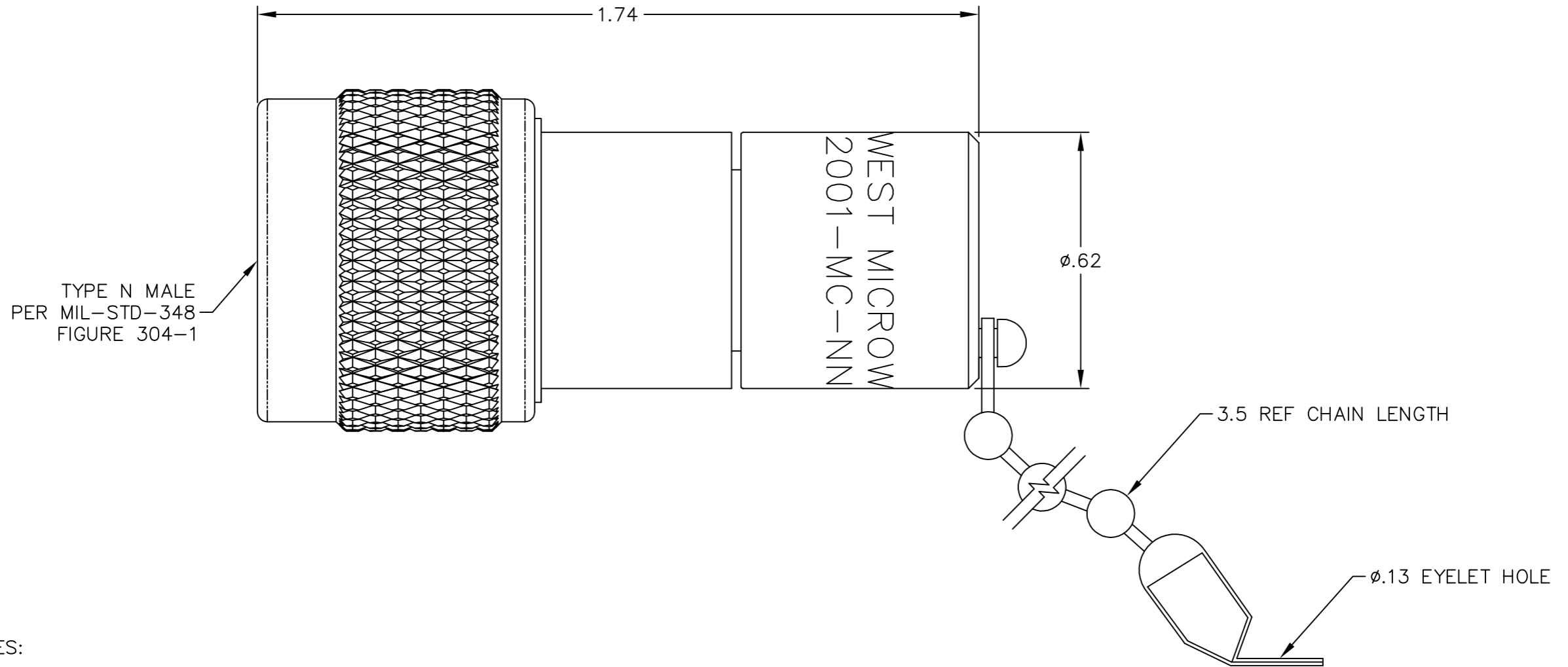


REV	ECO	DATE
B	12868	8/23/1993
C	13621	5/19/1994
H	58192	3/16/2022



NOTES:

1. MATERIAL & FINISH:

- 1.1. BODY, COUPLING NUT & END PLUG: PASSIVATED STAINLESS STEEL
- 1.2. DIELECTRIC: PTFE (TEFLON)
- 1.3. CENTER CONTACT: GOLD PLATED BERYLLIUM COPPER
- 1.4. GASKET: SILICONE RUBBER

2. SPECIFICATIONS:

- 2.1. FREQUENCY RANGE: DC TO 18 GHz
- 2.2. INPUT POWER (MAX): 2 WATTS AVERAGE AT +25°C, DERATED LINEARLY TO 0.5 WATTS AT +125°C
- 2.3. VSWR (MAX): 1.05+0.01f (GHz)
- 2.4. IMPEDANCE: 50 OHMS NOMINAL
- 2.5. OPERATING TEMPERATURE RANGE: -55°C TO +125°C

<p>NOTICE: The information in this drawing is PROPRIETARY and must not be used without the permission of Cinch Connectivity Solutions. It may contain data whose export is restricted. Verify status prior to exporting.</p> <p>INTERPRET DRAWING IN ACCORDANCE WITH ASME Y14.5-2018</p>	<p>Model No. TRM-2001-MC-NN-02</p>	<p>MIDWEST MICROWAVE</p>		
	<p>RoHS2 <input checked="" type="checkbox"/> 2015/863/EU</p>	<p>Cage Code 34078</p>	<p>Title: TERMINATION TYPE N MALE</p>	
	<p>UNLESS OTHERWISE SPECIFIED UNITS: INCH</p> <p>.XX ± .02 .XXX ± .005 ANGLES ± 2°</p>	<p>3RD ANGLE PROJECTION</p> <p>Engineer: J. KEREKES</p>	<p>Drawing No. TRM-2001-MC-NN-02-01</p>	<p>Rev. H</p>
	<p>Date: 3/16/22</p>	<p>SIZE A</p>	<p>DO NOT SCALE DRAWING</p>	<p>Workmanship Std: SEE NOTES</p>