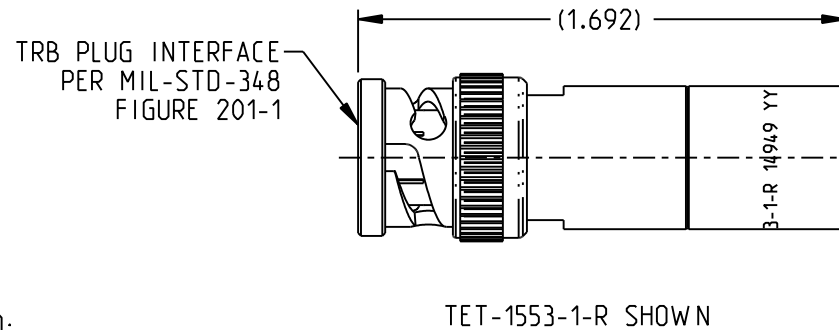
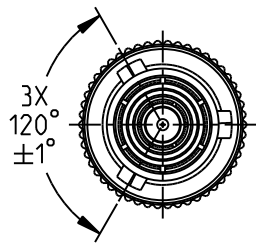
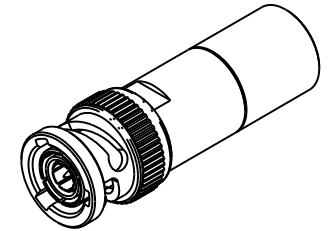
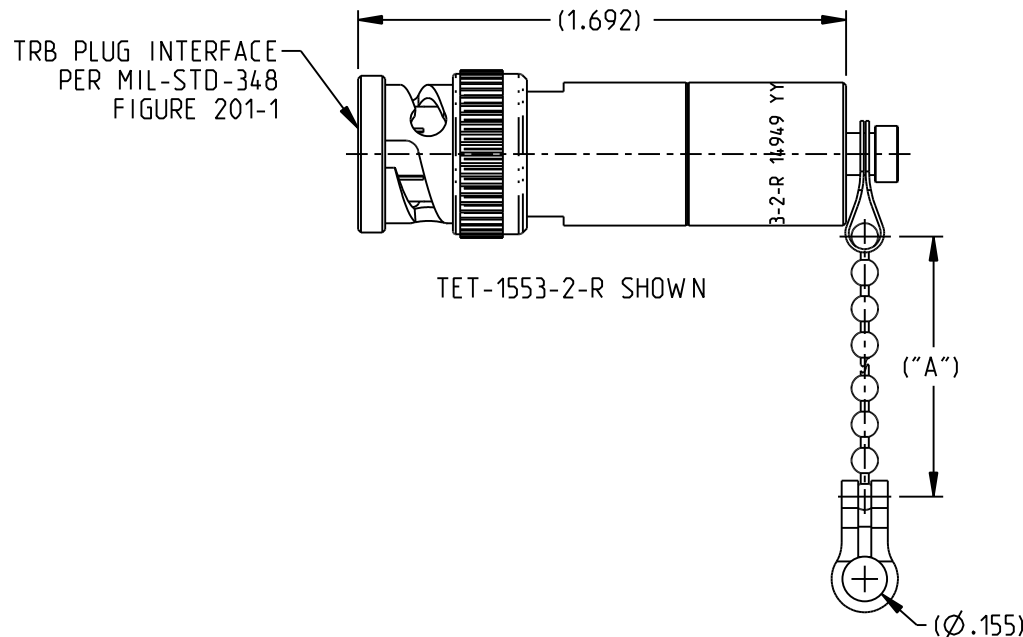


MODEL NUMBER	"A"	"R" ±2%
TET-1553-1-78	—	78
TET-1553-1-1K	—	1000
TET-1553-1-2K	—	2000
TET-1553-1-3K	—	3000
TET-1553-2-78	3	78
TET-1553-2-1K	3	1000
TET-1553-2-2K	3	2000
TET-1553-2-3K	3	3000
TET-1553-3-78	6	78
TET-1553-3-1K	6	1000
TET-1553-3-2K	6	2000
TET-1553-3-3K	6	3000

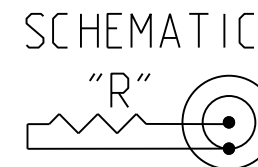
REV	ECO	DATE
—	—	—
001	58579	3/2/2023
002	59122	5/16/2024



NOTES: UNLESS OTHERWISE SPECIFIED:

1. MATERIALS AND FINISH:
 - 1.1 BODY, COUPLING SLEEVE: NICKEL PLATED BRASS
 - 1.2 OUTER INSULATOR AND DIELECTRIC: PTFE (TEFLON)
 - 1.3 INTERMEDIATE CONTACT: GOLD PLATED PHOSPHOR BRONZE
 - 1.4 CENTER CONTACT: GOLD PLATED BRASS
 - 1.5 GASKET: SILICONE RUBBER
 - 1.6 END RINGS & BALL CHAIN: NICKEL PLATED BRASS
 - 1.7 RESISTOR LEADS; TIN/LEAD PLATED COPPER

2. ELECTRICAL:
 - 2.1 SIGNALING: PER MIL-STD-1553
 - 2.2 RESISTANCE (OHMS): SEE TABLE
 - 2.3 POWER: 2 WATTS MINIMUM



<p>NOTICE: The information in this drawing is PROPRIETARY and must not be used without the permission of Cinch Connectivity Solutions. It may contain data whose export is restricted. Verify status prior to exporting.</p> <p>INTERPRET DRAWING IN ACCORDANCE WITH ASME Y14.5-2018</p>	Model No:	TET-1553-X-R	Title: TROMPETER		
	RoHS	Cage Code	14949	TERMINATION, TRB PLUG, 2 WATT, NON-ROHS	
	UNLESS OTHERWISE SPECIFIED UNITS: INCH	3RD ANGLE PROJECTION	ENGINEER:	Workmanship Std:	REV.
	.XX ±.02 .XXX ±.010 ANGLES ±2°	DATE:	C. MONAHAN	QAD-37012	002
	Date:	5/16/2024	Size	A	DO NOT SCALE DRAWING
			Workmanship Std:	QAD-37012	Sheet 1 OF 1