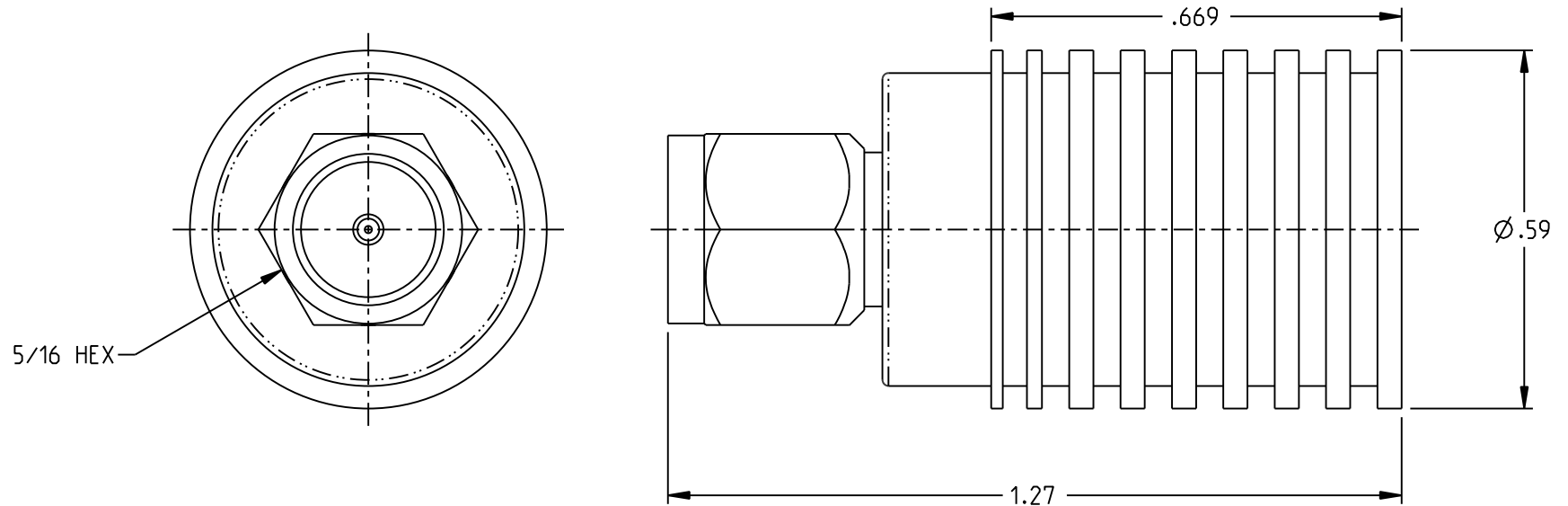
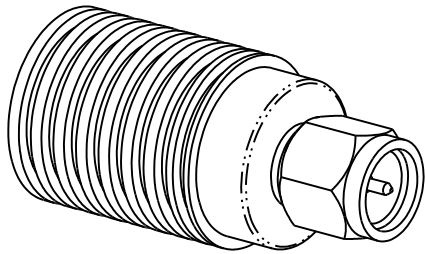


REV	ECO	DATE
001	58764	08/23/2023



NOTES: UNLESS OTHERWISE SPECIFIED

1. MATERIALS & FINISH:

- 1.1 HOUSING: PASSIVATED STAINLESS STEEL
- 1.2 CONNECTOR BODY & TERMINATION BODY: TRI-METAL ALLOY PLATED BRASS
- 1.3 CENTER CONTACT: GOLD PLATED BRASS

2. SPECIFICATIONS:

- 2.1 FREQUENCY RANGE: DC-18 GHz
- 2.2 IMPEDANCE: 50 OHMS NOMINAL
- 2.3 POWER RATING: 5 WATTS
- 2.4 VSWR (MAX): 1.20:1
- 2.5 OPERATING TEMPERATURE: -50°C TO 85°C

<p>NOTICE: The information in this drawing is PROPRIETARY and must not be used without the permission of Cinch Connectivity Solutions. It may contain data whose export is restricted. Verify status prior to exporting.</p> <p>INTERPRET DRAWING IN ACCORDANCE WITH ASME Y14.5-2018</p>	Model No:	CGT-2180-M0-SMA-34	MIDWEST MICROWAVE		
	RoHS2 <input checked="" type="checkbox"/> 2015/863/EU	Cage Code	34078	Title:	SMA MALE TERMINATION
	UNLESS OTHERWISE SPECIFIED UNITS: INCH	3RD ANGLE PROJECTION	ENGINEER:	Drawing No.	REV.
	.XX ±.02 .XXX ±.010 ANGLES ±2°	Date:	R. BRENDAL 08/31/2023	CGT-2180-M0-SMA-34-01	001
	Size	A	DO NOT SCALE DRAWING	Workmanship Std:	Sheet 1 OF 1