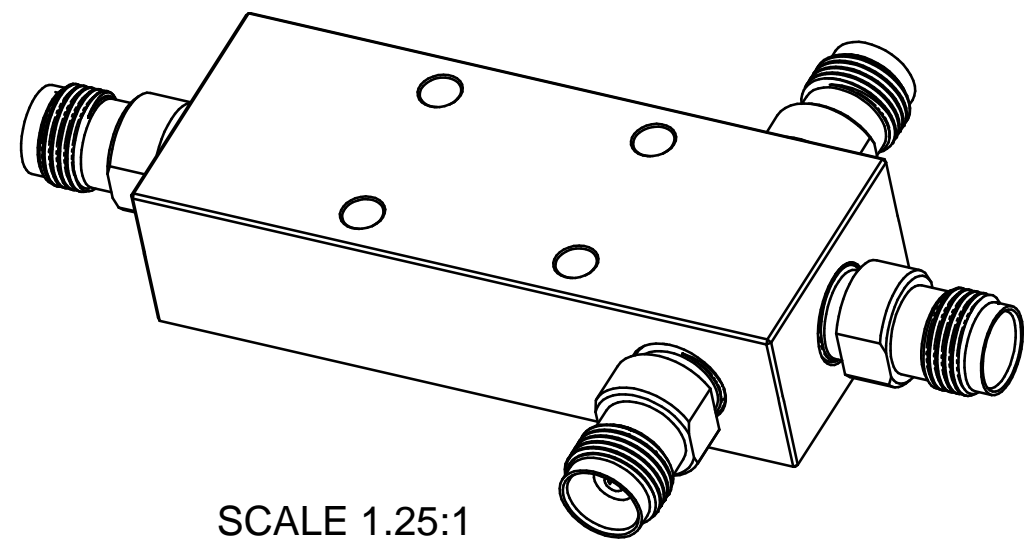
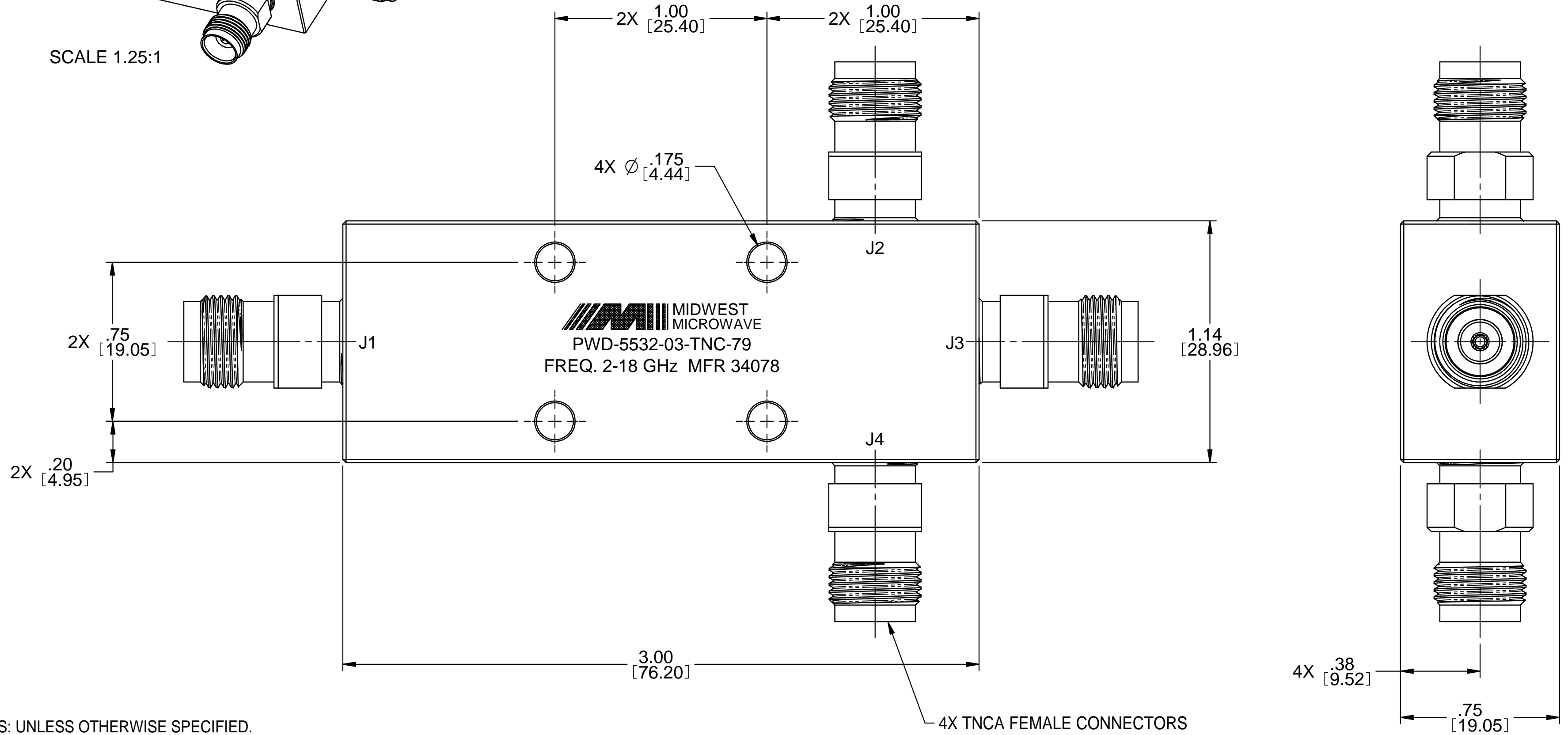


REV	ECO	DATE
A	24442	9/16/12
B	24750	5/2/13



SCALE 1.25:1



NOTES: UNLESS OTHERWISE SPECIFIED.

1. ELECTRICAL SPECIFICATIONS:
  - 1.1 FREQUENCY RANGE: 2.0 TO 18.0 GHz
  - 1.2 INSERTION LOSS: 1.2 dB MAX.
  - 1.3 ISOLATION: 18 dB MIN.
  - 1.4 VSWR: 1.80:1 MAX.
  - 1.5 OUTPUT UNBALANCE:
    - 1.5.1 AMPLITUDE: 0.6 dB
    - 1.5.2 PHASE: 10° MAX.
  - 1.6 MAXIMUM INPUT POWER: 30.0 WATTS (WITH OUTPUT LOADS OF  $\leq$  2.0:1)
  - 1.7 OPERATING TEMP. RANGE: -65°C TO +125°C

2. FINISHING:
  - 2.1 GRAY OVER MIL-E-15090 TYPE II, CLASS 2 OVER MIL-C-5541 CLASS 3A. MEETS MIL-F-14072 & MIL-E-5400.
  - 2.1 MARK UNIT AS SHOWN.

3. DIMENSION IN BRACKETS ARE MILLIMETERS.

4X TNC FEMALE CONNECTORS PER MIL-STD-348, FIG 313-4 (INTERFACE ALSO MEETS TYPE TNC 18 GHz GRADE 1, PER IEC 169-26, FIG. 2)

OUTLINE DRAWING

	Model No. <b>PWD-5532-03-TNC-79</b>		<b>MIDWEST MICROWAVE</b>		
		Cage Code <b>34078</b>	Title <b>POWER DIVIDER</b>		Material
		3RD ANGLE PROJECTION 		Drawing No. <b>PWD-5532-03-TNC-79-01</b>	Rev. <b>B</b>
	<small>UNLESS OTHERWISE SPECIFIED</small> UNITS: INCHES .XX $\pm$ .02 .XXX $\pm$ .005 ANGLES $\pm$ 1°		Drawn by <b>CWW</b> Date <b>8/13/13</b>	Approved by <b>PAK</b> Date <b>8/14/13</b>	Size <b>C</b> DO NOT SCALE DRAWING