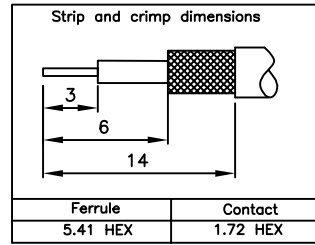
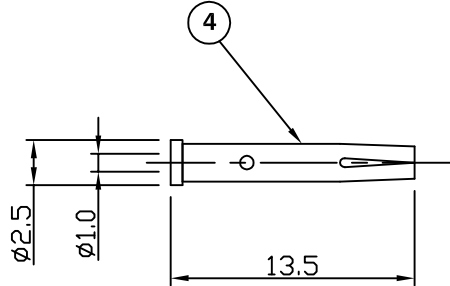
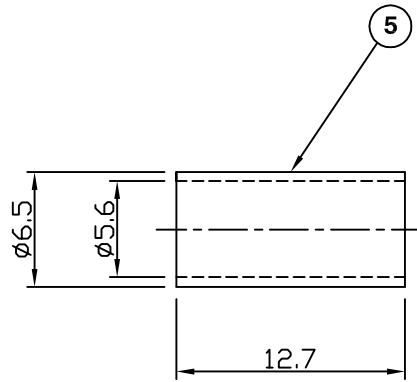
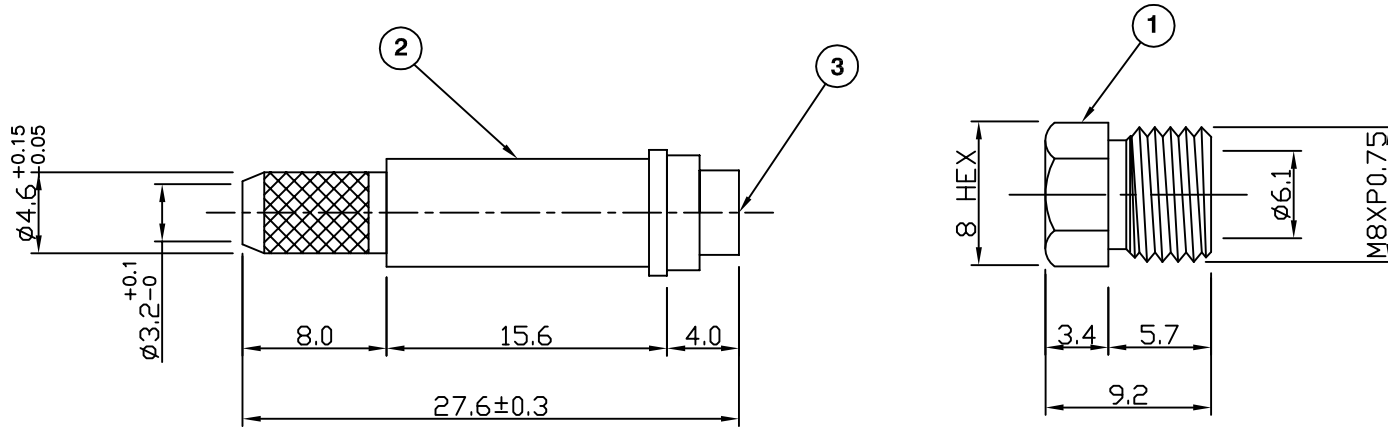


RoHS COMPLIANT



**Electrical Characteristics**

Nominal Impedance: 50 ohms  
 Frequency Range: DC to 2 GHz  
 VSWR: 1.3:1 maximum

**Mechanical Characteristics**

Mating Cycles: 500 cycles minimum

**Environmental Characteristics**

Temperature Range: -55 °C to +85 °C

	PART	DESCRIPTION
1	Nut	Brass, nickel plated
2	Body	Brass, nickel plated
3	Dielectric	POM
4	Contact	Brass, gold plated
5	Ferrule	Brass, nickel plated

Up Issue	SN	4	12 Feb 03
CAD Issue	SN	3	10 Jun 02
Dimensional changes	AT	2	04 April 96
First Issue	AT	1	22 Sept 95
DESCRIPTION OF REVISION	APPVD	ISS	DATE

For stripping and assembly instructions see Drawing Number: VAIR3101



Cinch Connectivity Solutions  
 7-13 Russel Way,  
 Widford Industrial Estate,  
 Chelmsford,  
 Essex, CM1 3AA, UK  
 Tel: +44 (0) 1245 359515  
 Fax: +44 (0) 1245 358938

SCALE: Not To Scale

DIMENSIONS: mm

TOLERANCES:  
 ± 0.2mm unless  
 otherwise stated

DRAWN BY:

S Nash

CHECKED BY:

APPROVED BY:

DATE:

12 Feb 03

TITLE:

FME Crimp Jack for RG58

PART NUMBER:

VR30-2051

PAGE: 1 of 1