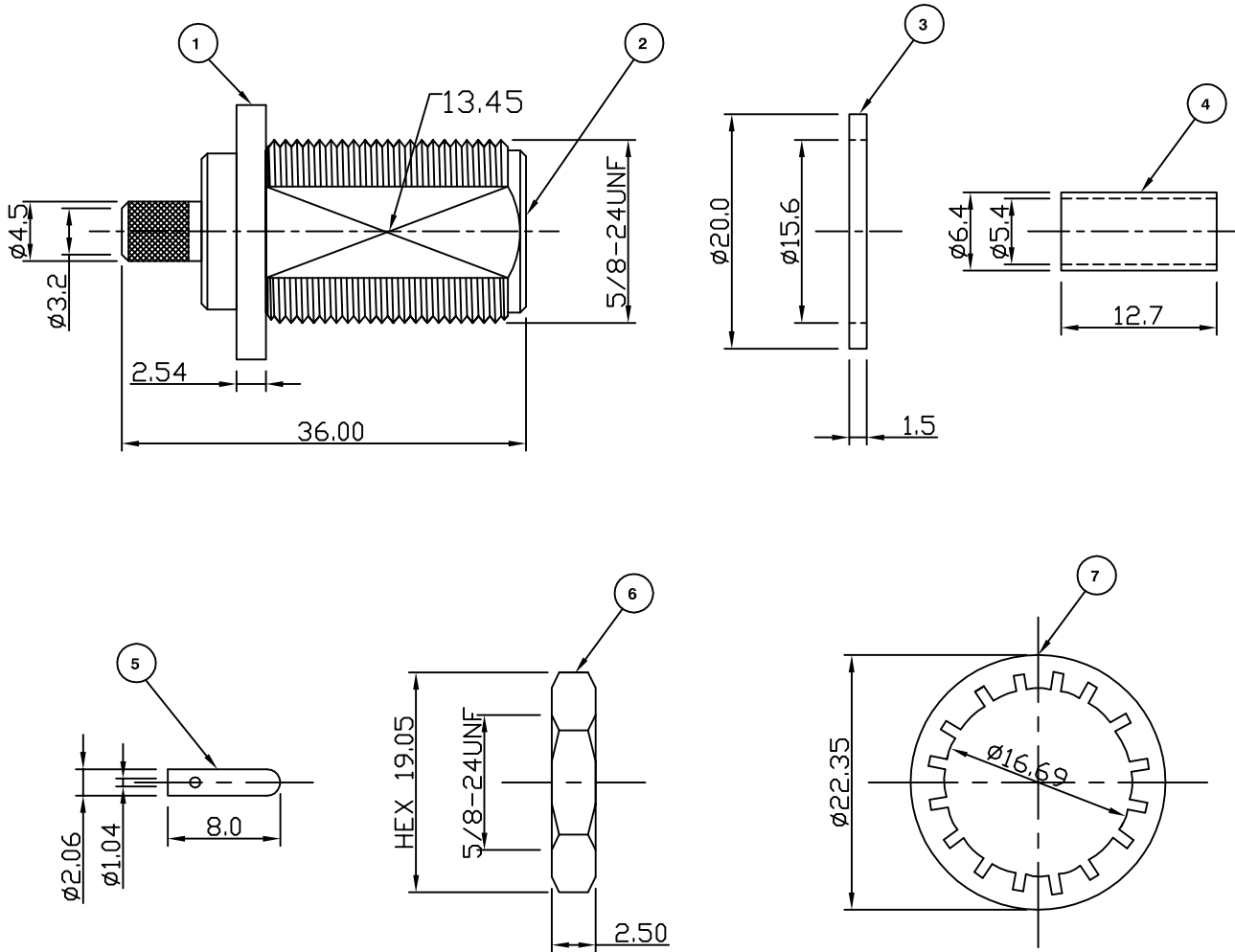


RoHS COMPLIANT



Electrical Characteristics

Nominal Impedance:	50 ohms
Frequency Range:	DC to 11 GHz
VSWR:	1.3:1 maximum
Insertion Loss:	0.3 dB at 10 GHz
Operating Voltage (rms):	1000 V maximum at sea level
Dielectric Withstand Voltage (rms):	2500 V maximum at sea level
Contact Resistance:	1 milliohms maximum
Insulation Resistance:	5000 megohms minimum

Mechanical Characteristics

Mating Cycles:	500 cycles minimum
Interface Dimensions:	Conform to MIL-C-39012

Environmental Characteristics

Temperature Range:	-65 °C to +165 °C
--------------------	-------------------

PART	DESCRIPTION	
1	Body	Brass, nickel plated
2	Dielectric	PTFE
3	Gasket	Silicone
4	Ferrule	Brass, nickel plated
5	Contact	Brass, gold plated
6	Nut	Brass, nickel plated
7	Washer	Brass, nickel plated

For stripping and assembly instructions see Drawing Number: VAIN4101

First Issue	LB	1	29 Sept 09
DESCRIPTION OF REVISION	APPVD	ISS	DATE



Cinch Connectivity Solutions
 7-13 Russel Way,
 Widford Industrial Estate,
 Chelmsford, Essex,
 CM1 3AA, UK.
 Tel: +44 (0) 1245 359515
 Fax: +44 (0) 1245 358938

SCALE: Not To Scale	DRAWN BY:	L Barnsley
DIMENSIONS: mm	CHECKED BY:	M Spooner
TOLERANCES: ± 0.2mm unless otherwise stated	APPROVED BY:	M Spooner
	DATE:	29 Sept 09

TITLE:
**N Crimp Bulkhead Jack for
 RG58**

PART NUMBER:
VN40-2051
 PAGE: 1 of 1