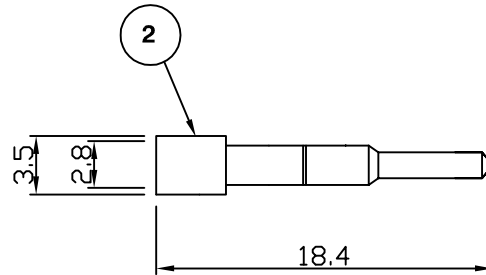
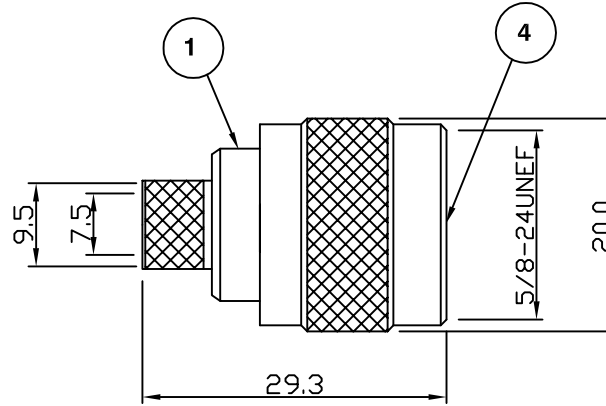
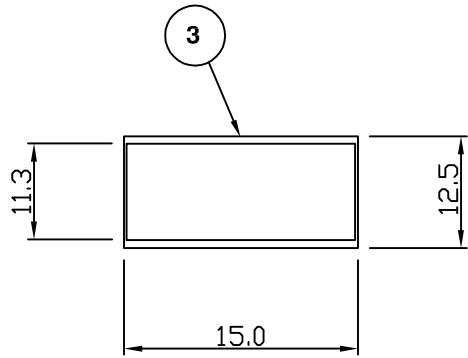


RoHS COMPLIANT



Electrical Characteristics

Nominal Impedance:	50 ohm
Frequency Range:	DC to 2 GHz
Operating Voltage (rms):	500 V maximum at sea level
Dielectric Withstand Voltage (rms):	1500 V maximum at sea level
Contact Resistance:	1.5 milliohms maximum
Insulation Resistance:	5000 megohms minimum

Mechanical Characteristics

Mating Cycles:	500 cycles minimum
Interface Dimensions:	Conform to MIL-C-39012

	PART	DESCRIPTION
1	Body	Brass, nickel plated
2	Pin	Brass, Gold plated
3	Shell	Brass, nickel plated
4	Insulator	Teflon

For stripping and assembly instructions see VAIN1105

First Issue	BT	1	29 July 08
DESCRIPTION OF REVISION	APPVD	ISS	DATE



Cinch Connectivity Solutions
 7-13 Russell Way,
 Widford Industrial Estate,
 Chelmsford, Essex,
 CM1 3AA, UK.
 Tel: +44 (0) 1245 359515
 Fax: +44 (0) 1245 358938

SCALE: Not To Scale	DRAWN BY:	B Thomas
DIMENSIONS: mm	CHECKED BY:	M.Spooner
TOLERANCES: ± 0.2mm unless otherwise stated	APPROVED BY:	M.Spooner
	DATE:	29 July 08

TITLE:
**N-Type Male Crimp For
LMR400**

PART NUMBER:
VN10-2142
PAGE: 1 of 1