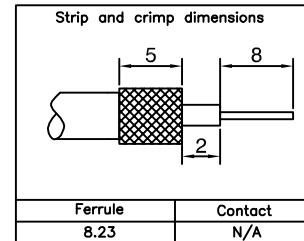
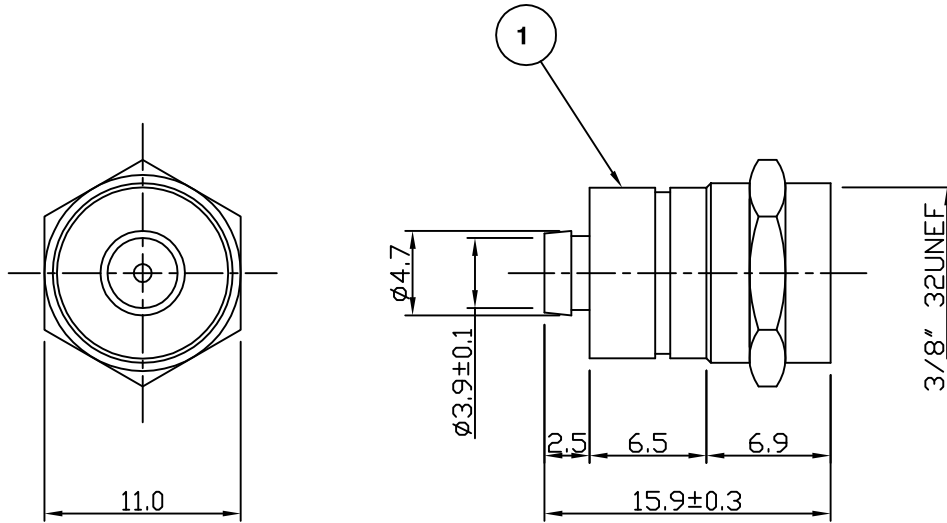


RoHS COMPLIANT



Electrical Characteristics

Nominal Impedance: Non constant
 Frequency Range: DC to 2 GHz
 VSWR: 1.35:1 maximum
 Operating Voltage (rms): 250 V maximum at sea level

Mechanical Characteristics

Mating Cycles: 50 cycles minimum

PART	DESCRIPTION
1	Body Brass, nickel plated

CAD Issue	SN	2	21 May 03
First Issue	AT	1	1 Jul 96
DESCRIPTION OF REVISION	APPVD	ISS	DATE

For stripping and assembly instructions see Drawing Number: VAIF1110



Cinch Connectivity Solutions
 7-13 Russel Way,
 Widford Industrial Estate,
 Chelmsford, Essex,
 CM1 3AA, UK.
 Tel: +44 (0) 1245 359515
 Fax: +44 (0) 1245 358938

SCALE: Not To Scale

DIMENSIONS: mm

TOLERANCES:
 ± 0.2mm unless
 otherwise stated

DRAWN BY:

S Nash

CHECKED BY:

P Couzens

APPROVED BY:

P Couzens

DATE:

21 May 03

TITLE:

F Crimp Plug For RG59

PART NUMBER:

VF10-59

PAGE: 1 of 1