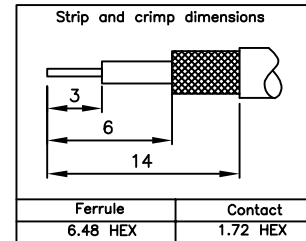
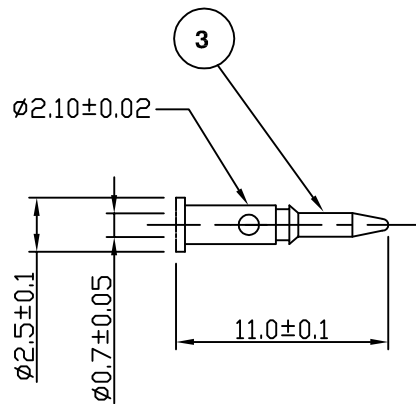
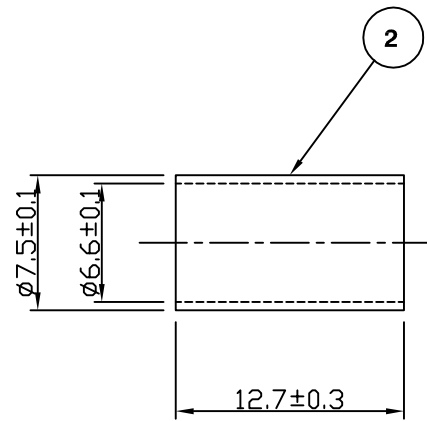
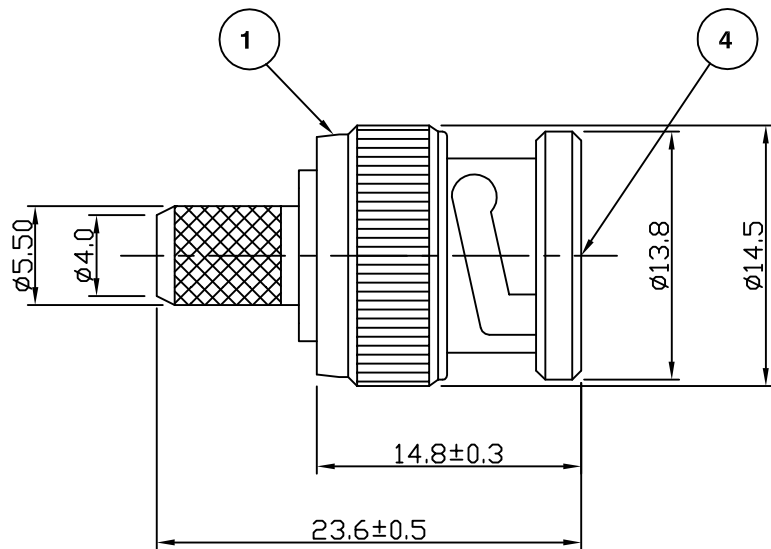


RoHS COMPLIANT



For stripping and assembly instructions see Drawing Number: VAIB1101

Electrical Characteristics

Nominal Impedance:	75 ohms
Frequency Range:	DC to 1 GHz
VSWR:	1.3:1 maximum
Insertion Loss:	0.1 dB at 1 GHz
Operating Voltage (rms):	500 V maximum at sea level
Dielectric Withstand Voltage (rms):	1500 V maximum at sea level
Contact Resistance:	1.5 milliohms maximum
Insulation Resistance:	5000 megohms minimum

Mechanical Characteristics

Mating Cycles:	500 cycles minimum
Interface Dimensions:	Conform to MIL-C-39012

Environmental Characteristics

Temperature Range:	-65 °C to +165 °C
--------------------	-------------------

PART	DESCRIPTION
1	Body Brass, nickel plated 2.54 μm
2	Ferrule Brass, nickel plated 2.54 μm
3	Pin Brass, gold plated 0.076 μm - 0.127 μm
4	Insulator PTFE

DESCRIPTION OF REVISION	APPVD	ISS	DATE
Drawing update	JT	3	14 April 10
Amended Measurements	KA	2	18 Oct 07
First Issue	SN	1	03 Oct 03



Cinch Connectivity Solutions
7-13 Russel Way,
Widford Industrial Estate,
Chelmsford, Essex,
CM1 3AA, UK.
Tel: +44 (0) 1245 359515
Fax: +44 (0) 1245 358938

SCALE: Not To Scale	DRAWN BY: S Nash	TITLE: BNC Crimp Plug for RG59 75Ohm
DIMENSIONS: mm	CHECKED BY: P Couzens	PART NUMBER: VB10-2031-1603
TOLERANCES: ± 0.2mm unless otherwise stated	APPROVED BY: P Couzens	
	DATE: 03 Oct 03	PAGE: 1 of 1