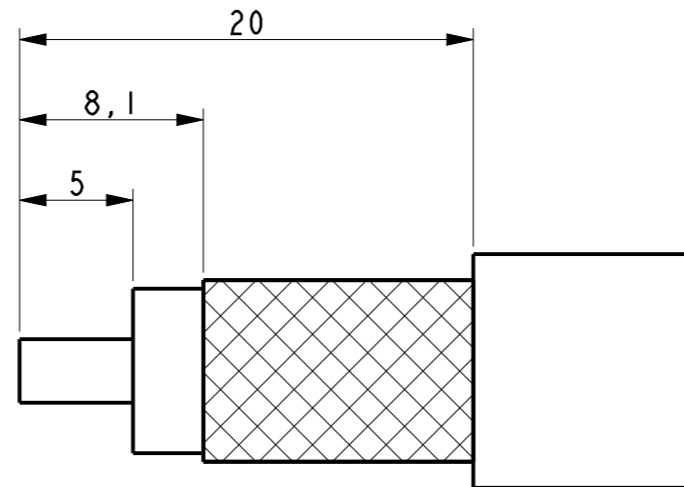
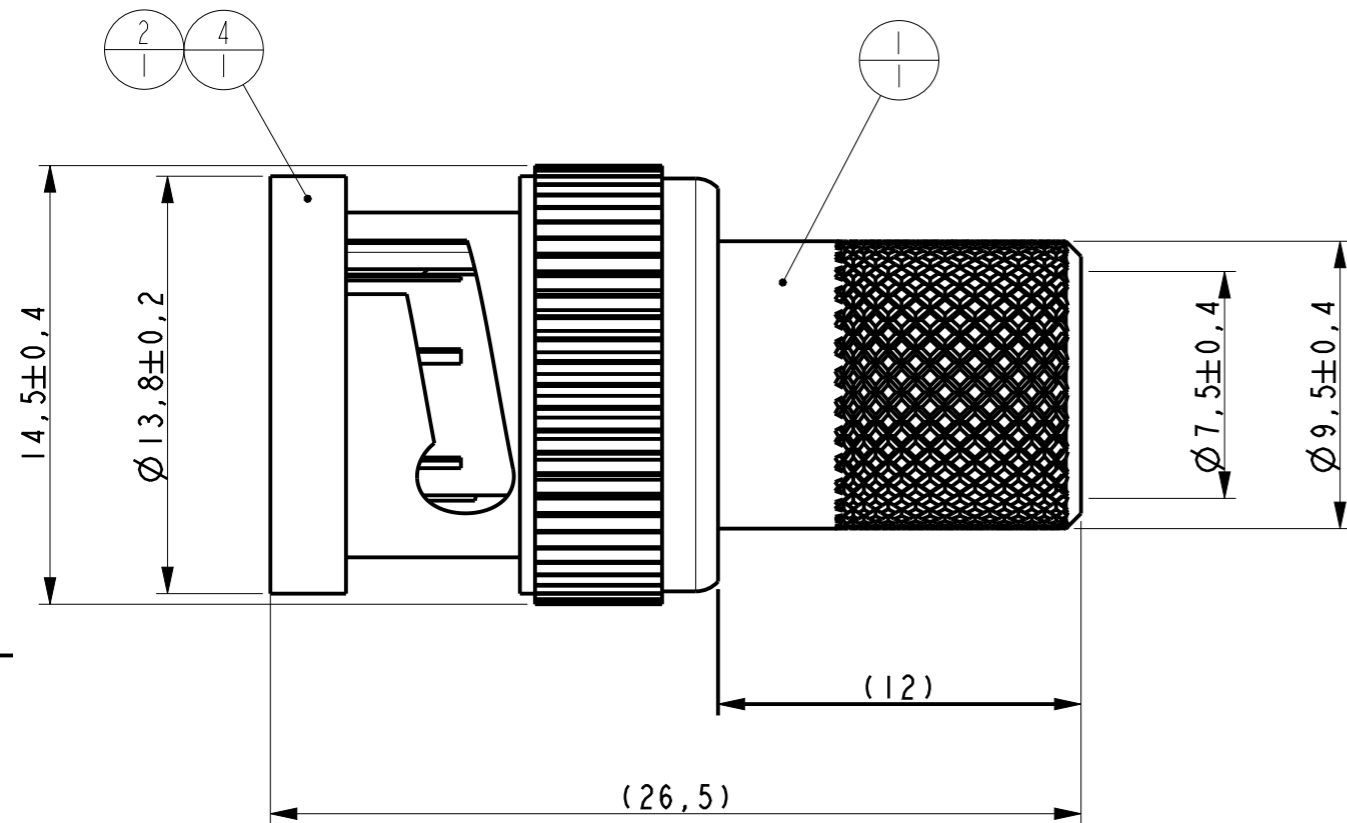


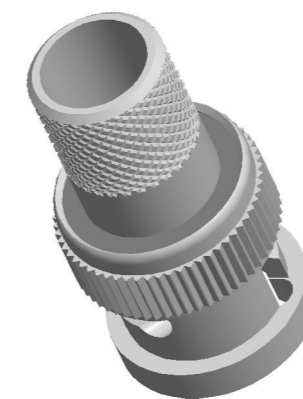
UNLESS OTHERWISE SPECIFIED ALL DIMENSIONS ARE IN MM

ITEM No	DESCRIPTION	MATERIAL	FINISH
1	BODY	BRASS	NICKEL
2	DIELECTIC	PTFE	WHITE
3	CONTACT PIN	BRASS	GOLD
4	SHELL	ZINC ALLOY	NICKEL
5	FERRULE	BRASS	NICKEL

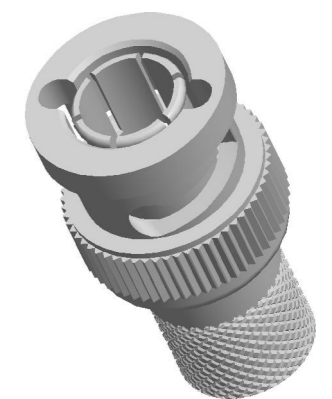
ISSUE	CHANGE DESCRIPTION	DATE	APPROVED
1	FIRST ISSUE	04-Sep-00	PDC
2	FERRULE SIZE CHANGED FROM 10.7/11.8 TO 10.9/12.4	19-Oct-00	PDC
3	CAD ISSUE	21-Aug-01	SN
4	DIMENSIONS UPDATED	12-Mar-10	JT
5	D17506	22-Jun-23	SM



RECOMMENDED CABLE STRIPPING DIMS



SCALE 2:1



SCALE 2:1

ELECTRICAL CHARACTERISTICS:

NOMINAL IMPEDANCE: 75 OHMS
 FREQUENCY RANGE: DC TO 1 GHz
 VSWR: 1.3:1 MAX.
 OPERATING VOLTAGE (RMS): 500V MAX. @ SEA LEVEL
 DWV (RMS): 1500V MAX. @ SEA LEVEL
 CONTACT RESISTANCE: 1.5 mΩ MAX.
 INSULATION RESISTANCE: 5000 M MIN.

MECHANICAL CHARACTERISTICS:

MATING CYCLES: 500 CYCLES MIN.
 INTERFACE DIMENSIONS: CONFORM TO MIL-C-39012

ENVIRONMENTAL CHARACTERISTICS:

TEMPERATURE RANGE: -65 °C TO +165 °C

CRIMPED FERRULE HEX SIZE 10,9 (0,429").
 CRIMPED CONTACT PIN HEX SIZE 1,73 (0,068").

PART IS RoHS COMPLIANT

DRAWN TO BS 8888
 TOLERANCES (unless specified): ISO 2768mK

DRAWN BY:
M.BARRACLOUGH
 CINCH CONNECTIVITY SOLUTIONS
 SHIREOAKS ROAD, WORKSOP
 S80 3HA (01909) 474131

CAGE CODE:
U1718
 DRAWING TITLE:
BNC MALE CRIMP 75 OHM FOR RG11
 DRAWING NUMBER:
VB10-2020
 SCALE: 4:1
 SHEET: 1 OF 1
 A3

THIS DRAWING IS COPYRIGHT AND IS ISSUED ON CONDITION THAT IT IS NOT COPIED, REPRODUCED OR DISCLOSED TO A THIRD PARTY WITHOUT PRIOR WRITTEN CONSENT OF CINCH LTD. ATTENTION IS DRAWN TO THE FACT THE ARTICLE DISCLOSED MAY BE COVERED BY BRITISH OR FOREIGN PATENTS, GRANTED OR PENDING OR REGISTERED DESIGN.

