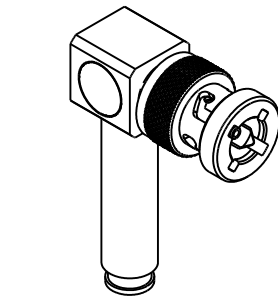
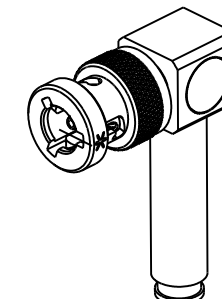


TABLE 1						
MODEL NUMBER	BAYONET SLEEVE			INTERMEDIATE CONTACT	CENTER CONTACT	TRK PLUG INTERFACE PER
	"A"	"B"	"C"			
PLR455ACFLP-ZZZ	N/A - 4X 90°			PIN	SOCKET	SPC-09500-43-41
PLR455ACPP-ZZZ	110°	125°	125°			
PLR455ACRP-ZZZ	125°	125°	110°			
PLR455ACWP-ZZZ	125°	110°	125°	SOCKET	PIN	SPC-09500-43-40
PLR455ACFLS-ZZZ	N/A - 4X 90°					
PLR455ACPS-ZZZ	110°	125°	125°			
PLR455ACRS-ZZZ	125°	125°	110°	3		
PLR455ACWS-ZZZ	125°	110°	125°			



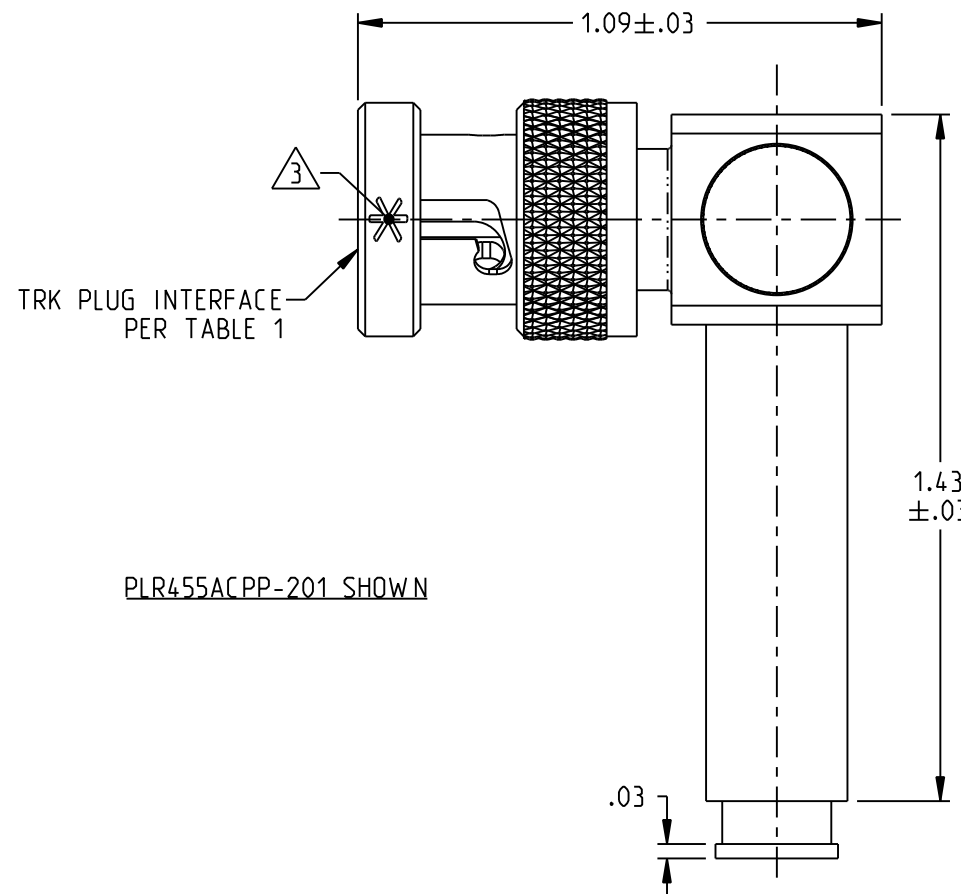
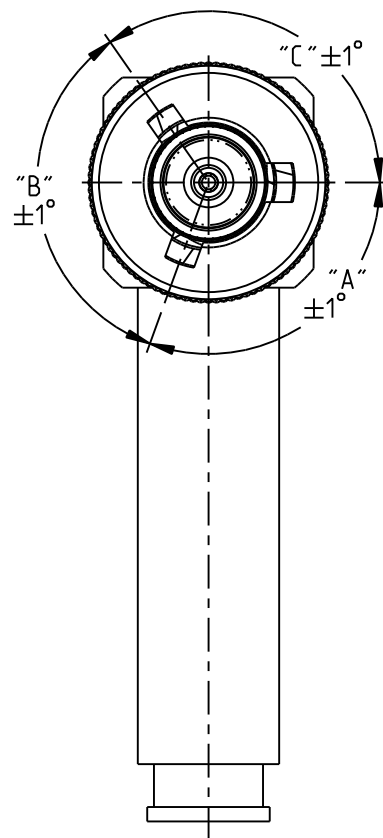
PLR455ACFLP-201 SHOWN



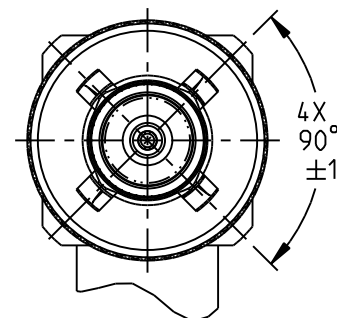
PLR455ACPP-201 SHOWN

REV	ECO	DATE
C	9479	10/10/1991
D	10054	12/4/1992
E	59248	10/1/2024

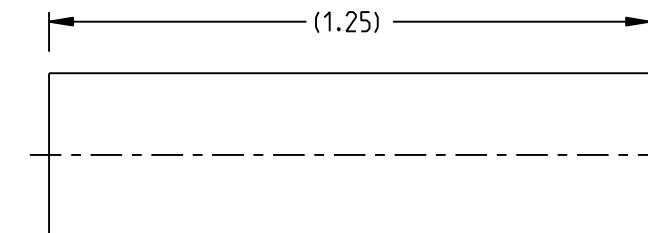
TABLE 2	
MODEL NUMBER	CABLES ACCOMMODATED
PLR455ACXXY-201	M17/176-00002
PLR455ACXXY-202	TWC-78-1, TROMPETER
PLR455ACXXY-203	TWC-124-1A, TROMPETER
PLR455ACXXY-204	10602, RAYCHEM
PLR455ACXXY-205	TWAC-78-1F2, TROMPETER
PLR455ACXXY-206	782600130, RAYCHEM
PLR455ACXXY-208	202-3927, MICRODOT
PLR455ACXXY-209	202-3942, MICRODOT
PLR455ACXXY-212	2524E0114, RAYCHEM
PLR455ACXXY-217	GC875TM24H, GRUMMAN
PLR455ACXXY-218	EPD22188B, RAYCHEM
PLR455ACXXY-219	2526D1114, RAYCHEM
PLR455ACXXY-220	GC875RR1, GRUMMAN
PLR455ACXXY-221	10614, RAYCHEM
PLR455ACXXY-222	10613, RAYCHEM
PLR455ACXXY-223	HMS2-1149, HUGHES



PLR455ACPP-201 SHOWN



PLR455ACFLP-201 SHOWN



HEAT SHRINK 4

NOTES: UNLESS OTHERWISE SPECIFIED.

1. MATERIAL & FINISH:

- 1.1 BODY, COUPLING SLEEVE & CRIMP BUSHING: NICKEL PLATED BRASS
- 1.2 INSULATOR: PTFE (TEFLON)
- 1.3 INTERMEDIATE CONTACT: GOLD PLATED BERYLLIUM COPPER
- 1.4 DIELECTRIC: PTFE (TEFLON)
- 1.5 CENTER CONTACT:
 - 1.5.1 PIN: GOLD PLATED BRASS
 - 1.5.2 SOCKET: GOLD PLATED BERYLLIUM COPPER
- 1.6 GASKET: SILICONE RUBBER

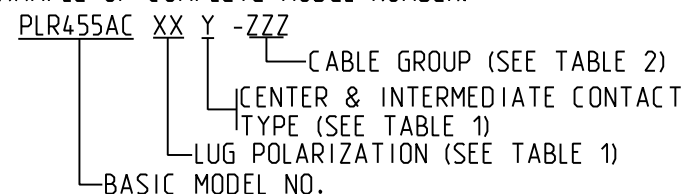
2. ELECTRICAL:

- 2.1 IMPEDANCE: NON-CONSTANT
- 2.2 SIGNALING: DIGITAL PER MIL-STD-1553

3. (.080) WIDE SLOT MARKED WITH AN ASTERISK ON THE O.D. OF 3-LUG BAYONET SLEEVES.

4. HEAT SHRINK AND CRIMP BUSHING SUPPLIED LOOSE; NO SEALING SLEEVE SUPPLIED WITH -205 & -208

5. EXAMPLE OF COMPLETE MODEL NUMBER:



6. ASSEMBLE PER TAI-170.

	Model No: PLR455ACXXY-ZZZ	Title: TROMPETER	
	RoHS2 2015/863/EU	Cage Code: 14949	PLUG, TRK, RIGHT ANGLE, TOOL CRIMP
<small>NOTICE: The information in this drawing is PROPRIETARY and must not be used without the permission of Cinch Connectivity Solutions. It may contain data whose export is restricted. Verify status prior to exporting.</small>	<small>UNLESS OTHERWISE SPECIFIED UNITS: INCH</small>	<small>3RD ANGLE PROJECTION</small>	<small>DATE: 10/1/2024</small>
<small>INTERPRET DRAWING IN ACCORDANCE WITH ASME Y14.5-2018</small>	ENGINEER: C. MONAHAN Date: 10/1/2024	Drawing No: 310-0068 Size: B	REV. E DO NOT SCALE DRAWING TFS-4 Sheet 1 OF 1