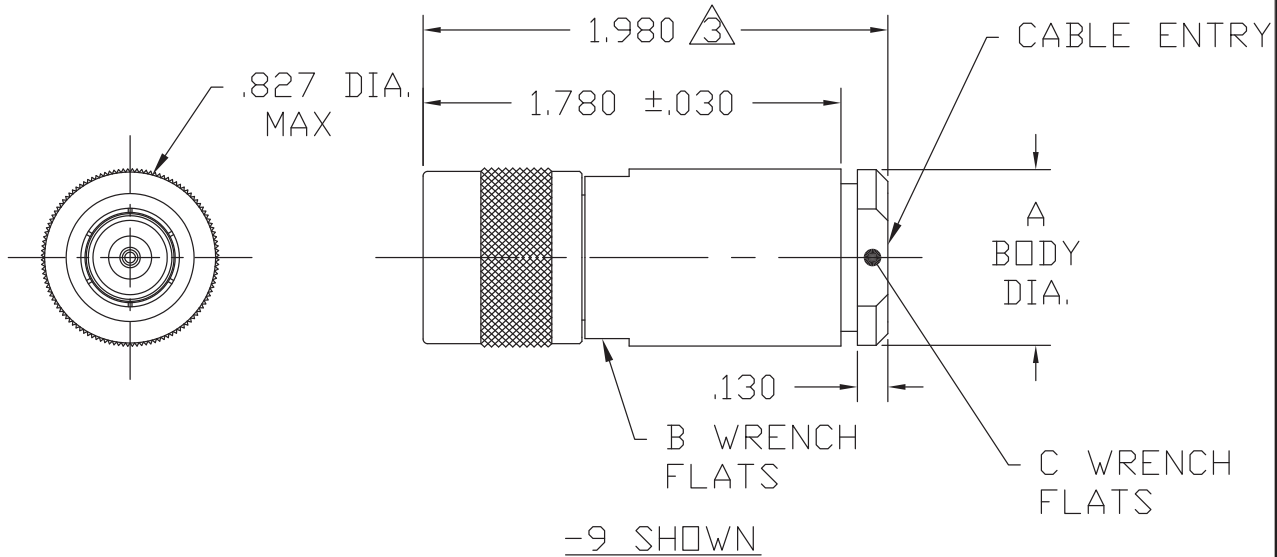


THE INFORMATION CONTAINED HEREON IS THE PROPERTY OF EMERSON NETWORK POWER, RECEIPT, POSSESSION OR TRANSMITTAL OF THIS DRAWING DOES NOT LICENSE OR IMPLY ANY RIGHT TO USE, SELL, PROTOTYPE OR MANUFACTURE FROM THIS INFORMATION. NO REPRODUCTIONS OR PUBLICATION OF THIS INFORMATION, IN WHOLE OR IN PART, SHALL BE MADE WITHOUT WRITTEN AUTHORIZATION FROM EMERSON NETWORK POWER.

DWG NO. 3-0103 SH 1

REVISIONS			
REV	DESCRIPTION	DATE	APPROVED
M	REVISED PER ECD 15097	6-24-03	WZ
N	REVISED PER ECD 52167	2/26/10	TONI KOHLER
P	REVISED PER ECD 53076	3/7/11	TONI KOHLER

DASH NO	CABLES ACCOMMODATED	A DIA	B FLATS	C FLATS	ASSEMBLE PER
-7	TRC-50-2/TRC-75-2	.750	.687	.625	TAI-175
-8	8227, BELDEN				TAI-116
-9	TWC-78-2, RG-108, TWC-124-2				TAI-131
-10	754E, W.E.CO., RG-22				TAI-175
-11	760A, W.E.CO.				TAI-116
-12	16PEVL, W.E.CO.				TAI-175
-13	TRF-59, TIMES				TAI-124
-13A	8232, BELDEN				TAI-175
-14	21-529, ESSEX 8233, BELDEN				TAI-116
-14A	TRC-50-4A				TAI-175
-15	21-583, ESSEX	.750	.687	.625	TAI-116
-16	21-950, ESSEX				TAI-175
-26	275-3962, MICRODOT				TAI-116
-29	TWC-124-1A				TAI-175
-32	TRC-50-1				TAI-124
-33	TRC-75-1				TAI-175
-42	21-204, ESSEX				TAI-116
-46	9860, BELDEN				TAI-175
-47	M17/176-00002				TAI-116
-54	89207, BELDEN				TAI-175
-55	89272, BELDEN	TAI-116			
-61	5012W5812, RAYCHEM	1.000	.937	.875	TAI-175
-62	7518A0811, RAYCHEM				TAI-175




4. THREADED CONCENTRIC TWINAX/TRIAX "TTS" SERIES CABLE PLUG W/SOCKET CENTER CONTACT

3 DIM IS MAX WHEN ASSEMBLED TO CABLE

2. FINISH: TFS-1A (NICKEL)

1. ALL DIM ARE IN INCHES

SURFACE AREA (IN <sup>2</sup> )	UNLESS OTHERWISE SPECIFIED DIMENSIONS ARE IN INCHES TOLERANCES ARE:				
	FRACTIONS	DECIMALS			ANGLES
	±	.XX ± .01	± 2°		
		.XXX ± .005			
		.XXXX ± .001			
	SIGNATURES	DATE			
MATERIAL	DRAWN BY	AAH	6-23-03	PL380	
	CHECKED BY	TH	6-23-03	SIZE	B
FINISH	APPROVED BY	BP	6-25-03	CAGE CODE	14949
	APPROVED BY	WZ	6-24-03	DWG NO.	3-0103
DO NOT SCALE DRAWING				SCALE	N/A
				REV	P
				SHEET 1 OF 2	