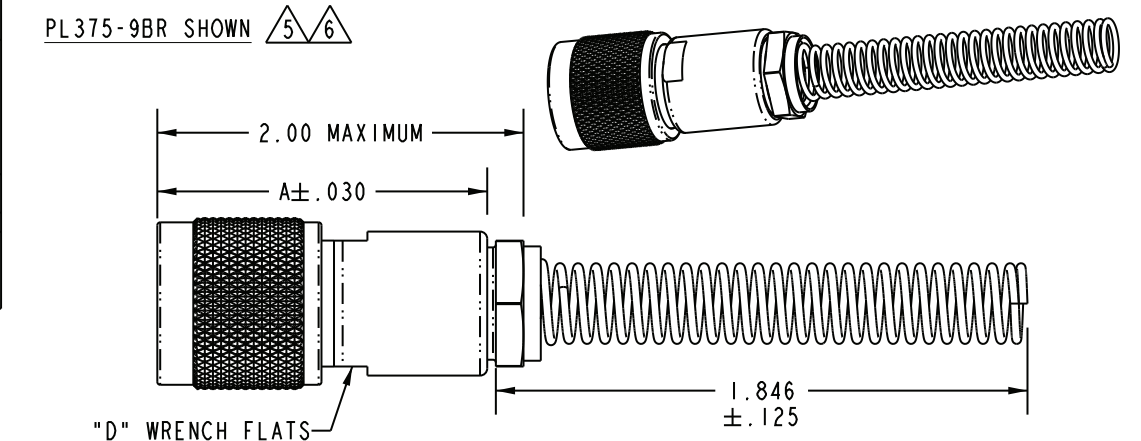
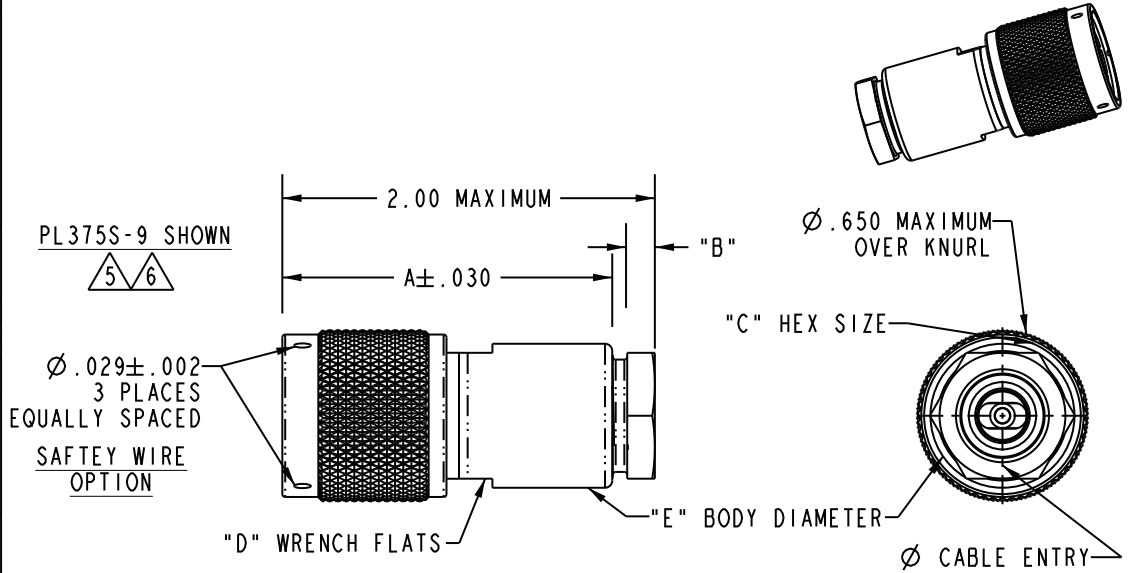
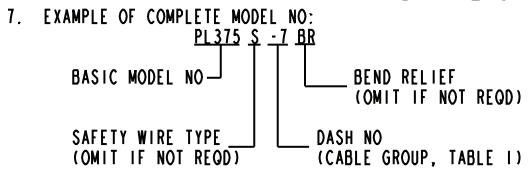


DASH NO	CABLES ACCOMMODATED	TABLE 1					CABLE ENTRY DIA	ASSEMBLE PER	CABLE TYPE		
		A DIM	B DIM	C FLATS	D FLATS	E DIA					
-7	TRC-50-2 TRC-75-2	1.165	.096	.438	.438	.500	.274	TAI-189	TRIAx		
-8	8227, BELDEN	1.740	.130	.625	.688	.750	.345	TAI-103	TWINAX		
-9	TWC-78-2 TWC-124-2	1.165	.096	.438	.438	.500	.285	TAI-102			
-9A	BL782, TIMES BL982, TIMES BL1242, TIMES									3	3
-10	RG-22 754E, AT&T									1.740	.130
-11	760A, AT&T										
-12	16PEVL, AT&T VI-AL, GENERAL										
-13	TRF-59, TIMES										
-13A	8232, BELDEN										
-14	8233, BELDEN										
-23	250-3884, MICRODOT										
-24	202-3934, MICRODOT										
-24A	9530A5117, RAYCHEM										
-25	T-43M, GENERAL										
-25A	5021H5331, RAYCHEM										
-26	7028A5518, RAYCHEM										
-27	1191PSJ2619N, WOVEN 202-3927, MICRODOT 202-3942, MICRODOT	1.165	.096	.438	.438	.500	.145	TAI-102	TWINAX		
-29	TWC-78-1/TWC-124-1A										
-30	761A, AT&T 8441, BELDEN										
-32	TRC-50-1										
-33	TRC-75-1										
-42	21-204, ESSEX 4463, CONSOLIDATED										
-43	250-4044/250-4045 293-3930, MICRODOT										
-45	M27500-22TE2114 1100-66F, STANDARD										
-46	9860, BELDEN										
-47	M177176-00002										
-49	TWAC-78-1F2										
-54	89207, BELDEN										
-55	89272, BELDEN										
-56	GC875GCI, GRUMMAN										
-57	GC875GB1, GRUMMAN										
-58	GC875TM24H, GRUMMAN										
-59	GC875LNI, GRUMMAN										
-60	M177177, THERMATICS										
-64	380-10045, BOEING 7528A5314, RAYCHEM										

REVISIONS			
REV	DESCRIPTIONS	DATE	APPROVED
AD	ECO 52460	6/18/10	CSM



- 6 IF SAFETY WIRE TYPE & BEND RELIEF SPRING READ ADD SUFFIX "SBR" TO MODEL NO (NOT AVAILABLE WITH CABLE GROUPS -8, -10, -11, -12, -13, -13A, -14, -46, & -54)
  - 5 IF BEND RELIEF SPRING READ (SEE FIG 2) ADD SUFFIX "BR" TO MODEL NO (NOT AVAILABLE WITH CABLE GROUPS -8, -10, -11, -12, -13, -13A, -14, -46, & -54)
  - 4. IF SAFETY WIRE TYPE READ ADD SUFFIX "S" TO MODEL NO (PL375S)
  - 3 CLAMP NUT OMITTED
  - 2. CONCENTRIC TWINAX/TRIAx TRT CABLE PLUG
  - 1 FINISH: TFS-1A (NICKEL)
- NOTES: UNLESS OTHERWISE SPECIFIED.



INTERPRET DRAWING PER MIL-STD-100. DIMENSIONS ARE IN INCHES AND INCLUDE FINISH THICKNESS UNLESS OTHERWISE SPECIFIED.		TOL: UNLESS SPECIFIED. .XX ± .02 .XXX ± .010 .XXXX ± .0010 ANGLE ± 1° 00' CRITICAL		 Cinch Connectivity Solutions 299 Johnson Ave. Ste. 100 Waseca, MN 56093 1-800-247-8256	
DRW	BPK	7/29/11		MATERIAL:	
CHK	CSM	8/1/11		FINISH:	
QUALITY				TITLE:	
MANUF				PL375 / PL375S PL375BR / PL375SBR	
APPROVED				SIZE	CAGE CODE
SURFACE AREA		PROF TITLE NO. 315-0011		Δ	14949
		DO NOT SCALE DWG		DRAWING NO.	REV.
				315-0011	AD
				DATE	SHEET
				5/23/13	1 OF 2