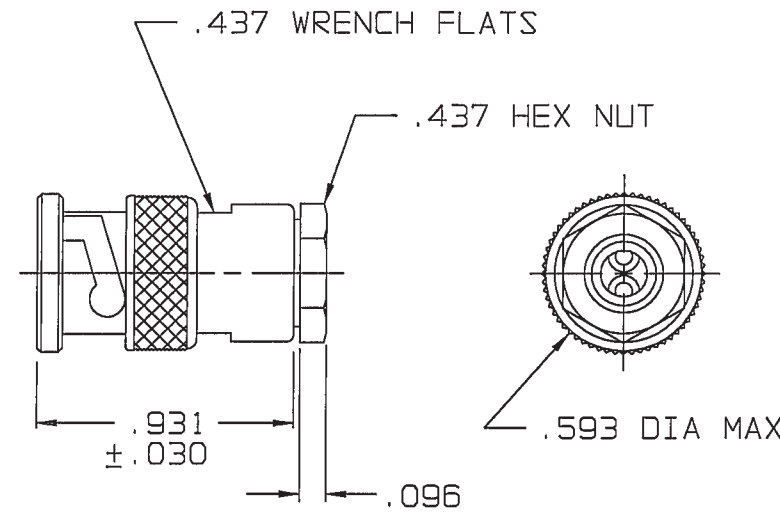


| DASH NO | CABLES ACCOMMODATED            | ASSEMBLE PER |
|---------|--------------------------------|--------------|
| -8      | 8227 BELDEN                    | TAI-140      |
| -9      | TWC-78-2/TWC-124-2             | TAI-121      |
| -10     | RG-22/754E AT&T                | TAI-140      |
| -11     | 760 AT&T                       |              |
| -12     | 16 PEVL AT&T/<br>VI/AL GENERAL | TAI-139      |
| -25     | T-43M GENERAL                  | TAI-121      |
| -27     | 202-3927 MICRODOT              |              |
| -29     | TWC-78-1/TWC-124-1A            |              |
| -45     | 10602 RAYCHEM                  |              |
| -46     | 9860 BELDEN                    | TAI-140      |
| -47     | M17/176-00002                  | TAI-121      |
| -49     | TWAC-78-1F2                    | TAI-140      |
| -54     | 89207 BELDEN                   |              |
| -55     | 89272 BELDEN                   |              |

DATA CONTAINED IN THIS DOCUMENT IS PROPRIETARY TO TROMPETER ELECTRONICS INC AND SHALL NOT BE DISCLOSED, COPIED OR USED FOR PROCUREMENT OR MANUFACTURE WITHOUT EXPRESS WRITTEN PERMISSION OF TROMPETER ELECTRONICS INC.

| REVISIONS |                       | 2-0008  | SH 1     |
|-----------|-----------------------|---------|----------|
| REV       | DESCRIPTION           | DATE    | APPROVED |
| AD        | REVISED PER ECD 15446 | 5/10/04 | WSJ      |

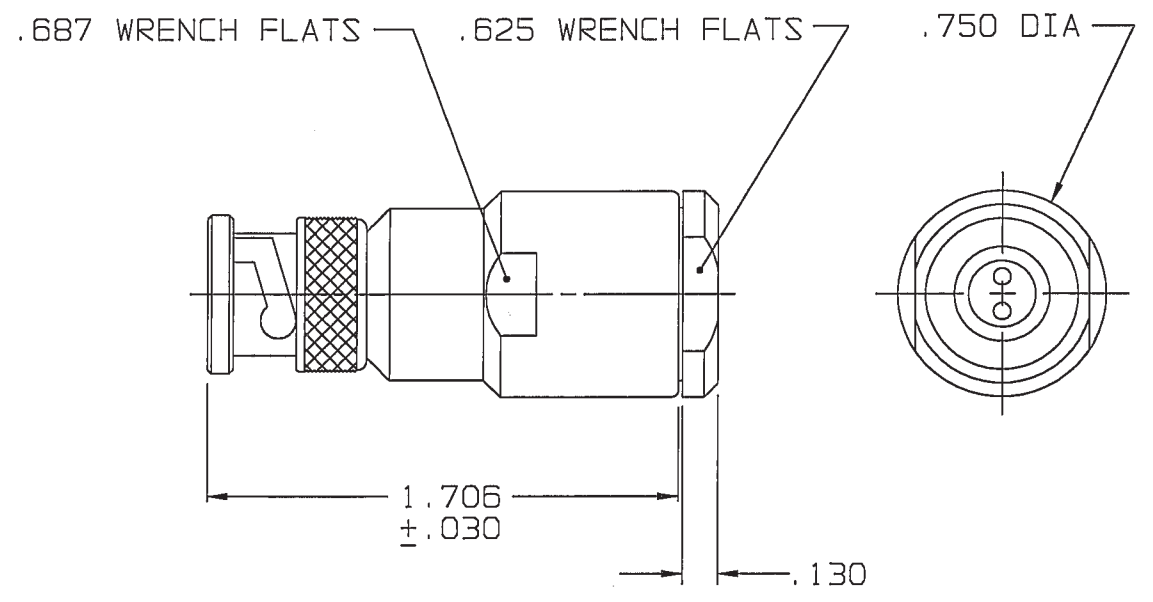
FIG 1  $\triangle$



-9 SHOWN

-9, -25, -27, -29, -45, -47 & -49

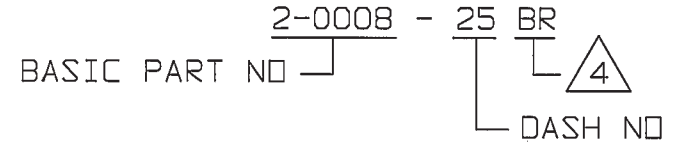
FIG 2



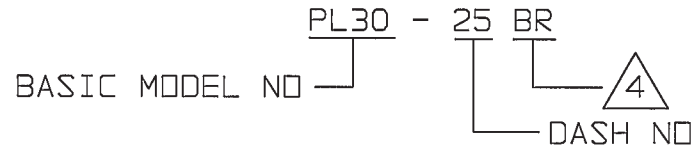
-8 SHOWN

-8, -10, -11, -12, -46 & -54

6. EXAMPLE OF COMPLETE PART NO:



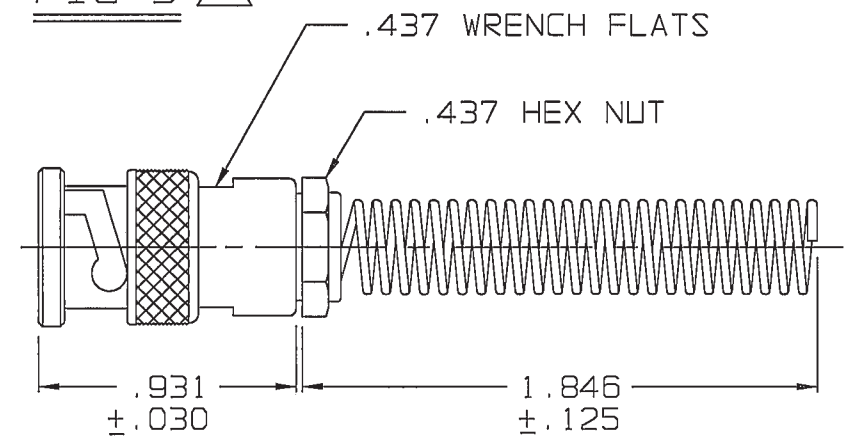
5. EXAMPLE OF COMPLETE MODEL NO:



$\triangle$  IF BEND RELIEF SPRING REQD, (SEE FIG 3) ADD SUFFIX "BR" TO DASH NO (NOT AVAILABLE WITH CABLE GROUPS -8, -10, -11, -12, -46 & -54)

3. TWINAXIAL BNC TYPE, TWO PIN CABLE PLUG
2. FINISH: TFS-1A (NICKEL)
1. ALL DIM ARE IN INCHES

FIG 3  $\triangle$



-9BR SHOWN

-9, -25, -27, -29, -45, -47 & -49

**RED INDICATES ORIGINAL**

|  |               |   |             |                  |                     |          |
|--|---------------|---|-------------|------------------|---------------------|----------|
| INTERPRET DRAWING PER MIL-STD-100 DIMENSIONS ARE IN INCHES AND INCLUDE FINISH THICKNESS UNLESS OTHERWISE SPECIFIED |               | TOL: UNLESS SPECIFIED<br>.XX<br>.XXX<br>.XXXX<br>ANGLES |             |                  |                     |          |
| DRAWN: AAH   | DATE: S-4-04  | MATERIAL:   | TITLE: PL30 |                  |                     |          |
| CHECKED: WJ  | DATE: 5/7/04  | FINISH:   | SIZE: B     | CAGE CODE: 14949 | DRAWING NO.: 2-0008 | REV.: AD |
| APPROVED: WJ   | DATE: 5/10/04 |   | SCALE: 2/1  | DATE: 2/16/06    | SHEET: 1C           |          |
| NEXT ASSY: E2000BAD  |               | DO NOT SCALE DWG  |             |                  |                     |          |