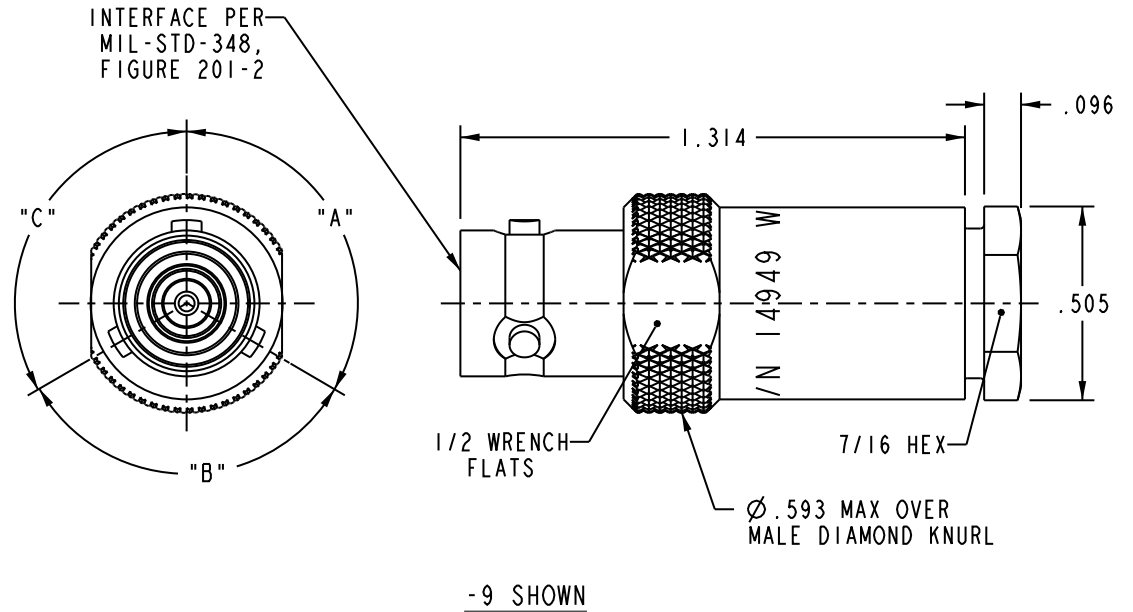


TABLE 1				
MILITARY PART NUMBER	MILITARY CABLE #	TEI DASH #	KEYING LETTER	ASSEMBLE PER
M49142/06-0001	M17/134-00001 M17/134-00003	7	NONE	TAI-189
M49142/06-0101	M17/134-00001 M17/134-00003	7	Y	TAI-189
M49142/06-0201	M17/134-00001 M17/134-00003	7	S	TAI-189
M49142/06-0002	M17/134-00002 M17/134-00004	7	NONE	TAI-189
M49142/06-0102	M17/134-00002 M17/134-00004	7	Y	TAI-189
M49142/06-0202	M17/134-00002 M17/134-00004	7	S	TAI-189
M49142/06-0006	M17/116-RG307	41A	NONE	TAI-250
M49142/06-0106	M17/116-RG307	41A	Y	TAI-250
M49142/06-0206	M17/116-RG307	41A	S	TAI-250
M49142/06-0007	M17/176-00002	47	NONE	TAI-102
M49142/06-0107	M17/176-00002	47	Y	TAI-102
M49142/06-0207	M17/176-00002	47	S	TAI-102
M49142/06-0008	M17/45-RG108 M17/186-00001	9	NONE	TAI-102
M49142/06-0108	M17/45-RG108 M17/186-00001	9	Y	TAI-102
M49142/06-0208	M17/45-RG108 M17/186-00001	9	S	TAI-102
M49142/06-0009	M17/177-00001	60	NONE	TAI-189
M49142/06-0109	M17/177-00001	60	Y	TAI-189
M49142/06-0209	M17/177-00001	60	S	TAI-189

DATA CONTAINED IN THIS DOCUMENT IS PROPRIETARY TO EMERSON CONNECTIVITY SOLUTIONS AND SHALL NOT BE DISCLOSED, COPIED OR USED FOR PROCUREMENT OR MANUFACTURE WITHOUT EXPRESS WRITTEN PERMISSION

REVISIONS			
REV	DESCRIPTIONS	DATE	APPROVED
ZA	ECO 54728	9/25/13	C. MONAHAN

TABLE 2			
KEYING LETTER	A DEGREES	B DEGREES	C DEGREES
NONE	120°	120°	120°
Y	110°	140°	110°
S	135°	135°	90°



NOTES: UNLESS OTHERWISE SPECIFIED.

INTERPRET DRAWING PER MIL-STD-100. DIMENSIONS ARE IN INCHES AND INCLUDE FINISH THICKNESS UNLESS OTHERWISE SPECIFIED.		TOL: UNLESS SPECIFIED. .XX ± .02 .XXX ± .01 .XXXX ± .005 ANGLE ± 1° 00' CRITICAL		 Connectivity Solutions 299 Johnson Ave. Ste. 100 Waseca, MN 56093 1-800-247-8256	
DRW C. WALLACE	9/25/13	MATERIAL:	TITLE: M49142/06 WRENCH CRIMP TRB JACK		
CHK C. MONAHAN	9/26/13	FINISH:	SIZE A	CAGE CODE 14949	DRAWING NO. 3-0330
QUALITY					REV. ZA
MANUF					
APPROVED					
SURFACE AREA	PROJ TITLE NO. 3-0330	DO NOT SCALE DWG	SCALE 2/1	DATE	SHEET 1 OF 2