

RED INDICATES ORIGINAL

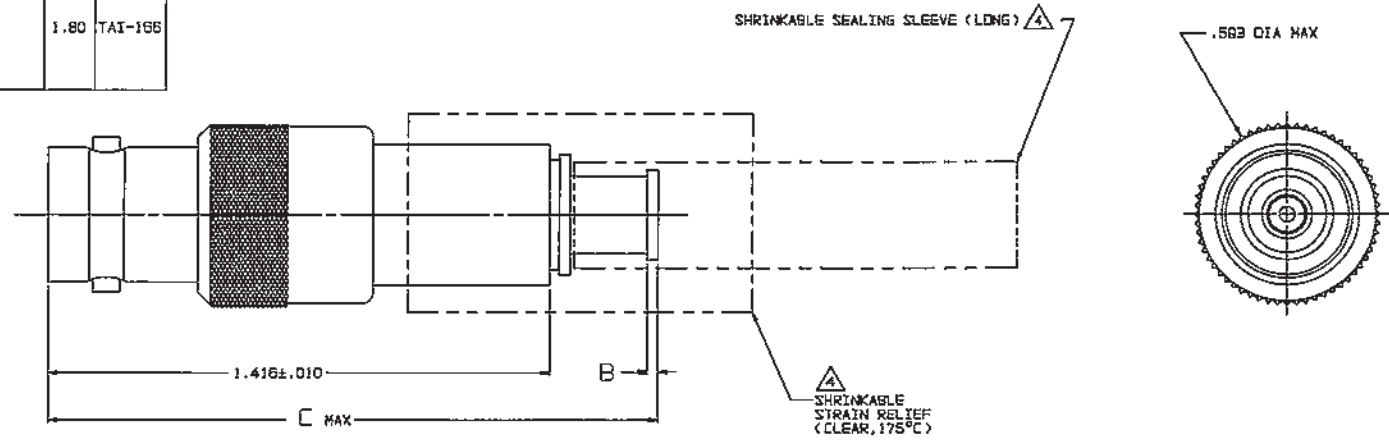
DATA CONTAINED IN THIS DOCUMENT IS PROPRIETARY TO TROMPETER ELECTRONICS INC. AND SHALL NOT BE DISCLOSED, COPIED OR REPRODUCED FOR PURPOSES OF MANUFACTURE WITHOUT EXPRESS WRITTEN PERMISSION.

| REVISIONS | | | 3-0210 | SH 1 | |
|-----------|-------|--|--------|-----------|---------|
| REV | ED | DESCRIPTION | DWN | APPROVED | DATE |
| N | 12086 | -308 TAI-218 WAS TAI-168; ADDED -308 & -309; SEE ECO | DKC | <i>ca</i> | 8/26/97 |

| DASH NO | CABLES ACCOMMODATED | A HEX | B DIM | C MAX | ASSEMBLE PER |
|---------|---------------------|-------|---------|-------|--------------|
| -201 | M17/176-00002 | .344 | .030 | 1.80 | TAI-168 |
| -202 | TWC-78-1 | | | | |
| -203 | TWC-124-1A | | | | |
| -204 | 10602, RAYCHEM | | | | |
| -205 | TWAC-78-1F2 | | | | |
| -206 | 782600130, RAYCHEM | | | | |
| -207 | B3310, BELDEN | | | | |
| -208 | 202-3927, MICRODOT | | | | |
| -209 | 202-3942, MICRODOT | | | | |
| -210 | 8451, BELDEN | | | | |
| -211 | 202-3934, MICRODOT | | | | |
| -212 | 252450114, RAYCHEM | | | | |
| -213 | TWC-78-2 | | | | |
| -214 | TWC-124-2 | | | | |
| -215 | BL982, TIMES | | | | |
| -216 | BL1242, TIMES | | | | |
| -217 | GC8751M24H, GRUMMAN | | | | |
| -218 | EDP221688, RAYCHEM | | | | |
| -219 | 252601114, RAYCHEM | | | | |
| -220 | GC875RR1, GRUMMAN | | | | |
| -221 | 10614, RAYCHEM | | | | |
| -222 | 10613, RAYCHEM | | | | |
| -223 | HMS2-1149, HUGHES | | | | |
| -206 | | 1.55 | TAI-138 | | |
| -207 | | | | | |
| -208 | | | | | |
| -209 | | | | | |
| -210 | | | | | |
| -211 | | | | | |
| -212 | | | | | |
| -213 | | | | | |
| -214 | | | | | |
| -215 | | | | | |
| -216 | | | | | |
| -217 | | | | | |
| -218 | | | | | |
| -219 | | | | | |
| -220 | | | | | |
| -221 | | | | | |
| -222 | | | | | |
| -223 | | | | | |
| -206 | | 1.80 | TAI-168 | | |
| -207 | | | | | |
| -208 | | | | | |
| -209 | | | | | |
| -210 | | | | | |
| -211 | | | | | |
| -212 | | | | | |
| -213 | | | | | |
| -214 | | | | | |
| -215 | | | | | |
| -216 | | | | | |
| -217 | | | | | |
| -218 | | | | | |
| -219 | | | | | |
| -220 | | | | | |
| -221 | | | | | |
| -222 | | | | | |
| -223 | | | | | |

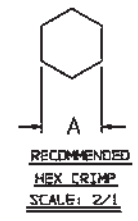
| DASH NO | CABLES ACCOMMODATED | A HEX | B DIM | C MAX | ASSEMBLE PER |
|---------|---------------------------|-------|-------|-------|--------------|
| -301 | GC875GC1, GRUMMAN | .344 | .030 | 1.80 | TAI-168 |
| -302 | GC875GB1, GRUMMAN | | | | |
| -303 | 7528A5314, RAYCHEM | | | | |
| -304 | | | | | |
| -305 | M17/177-00001, THERMATICS | | | | |
| -306 | TRC-50-2 | | | | |
| -307 | M17/134-00002 | | | | |
| -308 | TRC-75-1 | | | | |
| -309 | TRC-75-2 | | | | |
| -309 | TRC-50-1 | | | | TAI-218 |
| -309 | | | | | TAI-168 |
| -309 | | | | | TAI-218 |
| -309 | | | | | TAI-168 |

| INCH | MM |
|-------|-------|
| .005 | 0.13 |
| .010 | 0.25 |
| .030 | 0.76 |
| .344 | 8.74 |
| .593 | 15.08 |
| 1.00 | 25.40 |
| 1.25 | 31.75 |
| 1.416 | 35.97 |
| 1.55 | 39.37 |
| 1.75 | 44.45 |
| 1.80 | 45.72 |



-202 SHOWN

5. EXAMPLE OF COMPLETE MODEL NO:
CJ70CTL-201
 BASIC MODEL NO. ——— CABLE GROUP DASH NO
4. 1 SHRINKABLE STRAIN RELIEF AND/OR SHRINKABLE SEALING SLEEVE SUPPLIED LOOSE AS FOLLOWS:
- a. CABLE GROUPS -201 THROUGH -210, -217 THROUGH -303, -305, -307 & -309
 - 1 SHRINKABLE STRAIN RELIEF (1.00 LONG)
 - 1 SHRINKABLE SEALING SLEEVE (1.25 LONG)
 - b. CABLE GROUPS -211 THROUGH -216, -306 & -308
 - 1 SHRINKABLE STRAIN RELIEF (1.75 LONG)
3. 2-LUG CONCENTRIC TWINAX/TRIAX TR8, FULL CRIMP CABLE RECEPTACLE
2. FINISH: TFS-1A (NICKEL)
1. ALL DIMENSIONS ARE IN INCHES



| QTY | DESCRIPTION | PART NUMBER | ITEM |
|-----------------------|----------------------------------|---------------|--------------|
| TILL UNLESS SPECIFIED | TROMPETER RF connectivity | CJ70CTL | REV |
| .30K ± | | | |
| .005 ± | MATERIAL | 14948 | N |
| .00004 | DWN | DKC | 8-1-97 |
| ANGLE | ENGR | DKC | 8-18-97 |
| | APPR | <i>ca</i> | 8/26/97 |
| NEXT ASSY | SCALE 4/1 | DATE 10/24/96 | SHEET 1 OF 2 |