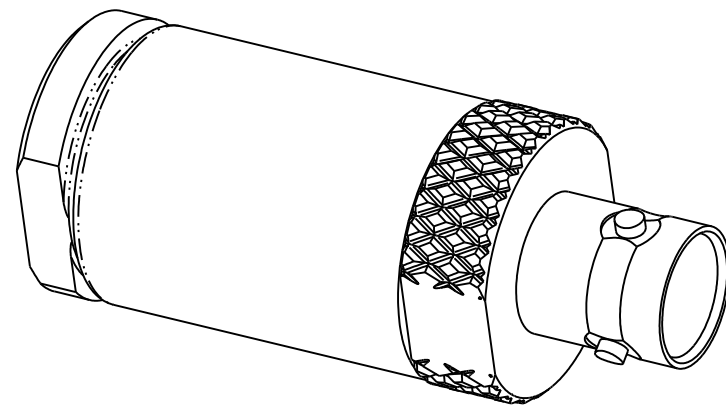
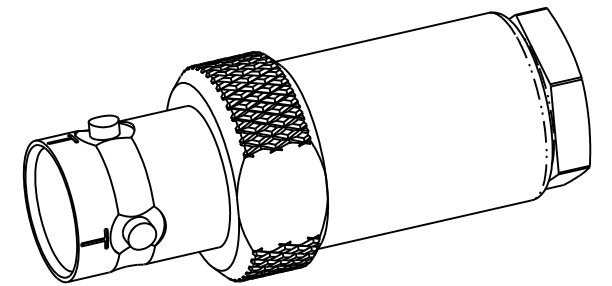


MODEL NUMBER	CABLE ACCOMMODATED	ASSEMBLE PER	"D"	"E"	"F"	"G"	"H"
CJ70E-7DD	TRC-50-2, TRC-75-2	TAI-189	1.314	.096	1/2	7/16	.593
CJ70E-8DD	8227 BELDEN	TAI-103	1.648	.130	11/16	5/8	.775
CJ70E-9DD	TWC-78-2, TWC-124-2	TAI-102	1.314	.096	1/2	7/16	.593
CJ70E-10DD	RG-22, 754E WECO	TAI-103	1.648	.130	11/16	5/8	.775
CJ70E-11DD	760A WECO						
CJ70E-12DD	16 PEVL WECO, V1-AL GENERAL	TAI-128	1.648	.130	11/16	5/8	.775
CJ70E-13DD	TRF-59 TIMES	TAI-129					
CJ70E-13ADD	8232 BELDEN	TAI-165					
CJ70E-14DD	8233 BELDEN	TAI-129					
CJ70E-23DD	250-3884, MICRODOT	TAI-189					
CJ70E-24DD	202-3934, MICRODOT	TAI-102	1.314	.096	1/2	7/16	.593
CJ70E-24ADD	9530A5117, RAYCHEM	TAI-189					
CJ70E-25DD	T-43M, GENERAL	TAI-102					
CJ70E-25ADD	5021H5331, RAYCHEM	TAI-189					
CJ70E-26DD	7028A5518, RAYCHEM						
CJ70E-27DD	T19TPSJ2619EM, WOVEN 202-3927, MICRODOT 202-3942, MICRODOT	TAI-102					
CJ70E-29DD	TWC-78-1, TWC-124-1A						
CJ70E-30DD	761A, 8441, BELDEN						
CJ70E-32DD	TRC-50-1	TAI-189					
CJ70E-33DD	TRC-75-1						
CJ70E-42DD	21-204, ESSEX 4463, CONSOLIDATED						
CJ70E-43DD	250-4044, MICRODOT 250-4045, MICRODOT 293-3930, MICRODOT						
CJ70E-45DD	M27500-22TE2T14 1100-66F, MICRODOT	TAI-102	1.314	.096	1/2	7/16	.593
CJ70E-46DD	9860BELDEN	TAI-103	1.648	.130	11/16	5/8	.775
CJ70E-47DD	M17/176-00002	TAI-102	1.314	.096	1/2	7/16	.593
CJ70E-49DD	TWAC-78-1F2						
CJ70E-54DD	89207 BELDEN	TAI-103	1.648	.130	11/16	5/8	.775
CJ70E-55DD	89272 BELDEN	TAI-102	1.314	.096	1/2	7/16	.593
CJ70E-56DD	GC875GC1, GRUMMAN	TAI-189					
CJ70E-57DD	GC875GB1, GRUMMAN	TAI-102					
CJ70E-58DD	GC875TM24H, GRUMMAN						
CJ70E-59DD	GC875LN1, GRUMMAN	TAI-189					
CJ70E-60DD	M17/177, THERMATICA 380-10045, BOEING						
CJ70E-64DD	7528A5314, RAYCHEM						

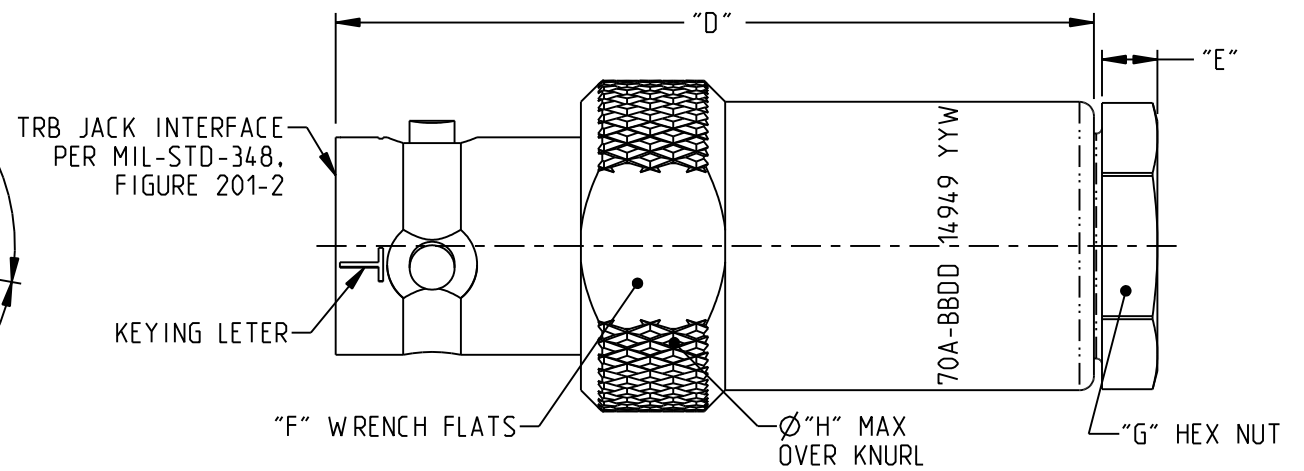
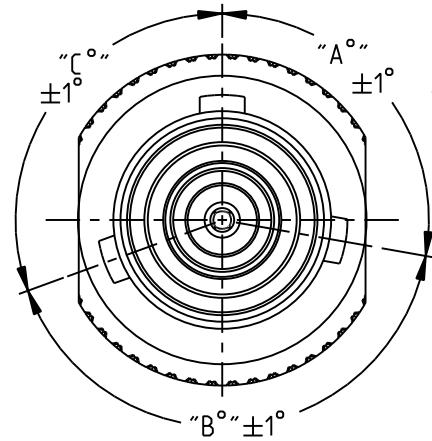
REV	ECO	DATE
V	11465	1/19/1996
W	16419	8/22/2007
Y	59062	4/26/2024



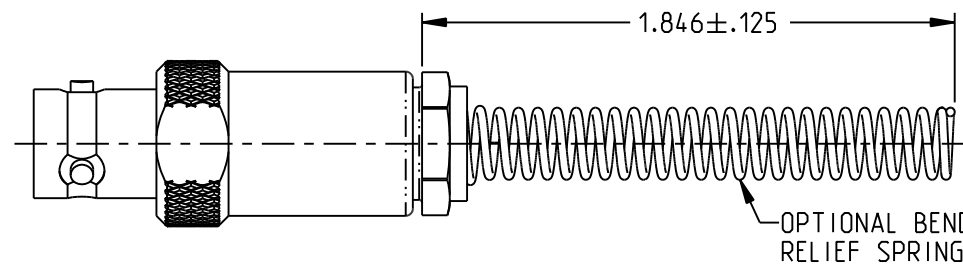
CJ70-10 SHOWN



CJ70T-9 SHOWN



CJ70T-9 SHOWN



CJ70-29BR SHOWN

MODEL NUMBER	KEYING LETTER	"A"	"B"	"C"
CJ70-BBBDD	—	120	120	120
CJ70T-BBBDD	T	100	150	110
CJ70U-BBBDD	U	120	130	110
CJ70V-BBBDD	V	115	130	115
CJ70W-BBBDD	W	125	110	125
CJ70X-BBBDD	X	130	100	130
CJ70Y-BBBDD	Y	110	140	110
CJ70Z-BBBDD	Z	100	160	100
CJ70S-BBBDD	S	135	135	90

NOTES: UNLESS OTHERWISE SPECIFIED:

- MATERIALS & FINISH:
 - BODY: NICKEL PLATED BRASS
 - OUTER INSULATOR & DIELECTRIC: PTFE (TEFLON)
 - INTERMEDIATE CONTACT: GOLD PLATED BRASS
 - CENTER CONTACT: GOLD PLATED BERYLLIUM COPPER
 - BEND RELIEF SPRING: PASSIVATED STAINLESS STEEL
- ELECTRICAL:
 - IMPEDANCE: NON-CONSTANT
 - FREQUENCY (MAX): 500 MHZ

- EXAMPLE MODEL NUMBER:
CJ70E-BBBDD
 - BEND RELIEF SPRING
 - CABLE GROUP
 - KEYING LETTER

<p>NOTICE: The information in this drawing is PROPRIETARY and must not be used without the permission of Cinch Connectivity Solutions. It may contain data whose export is restricted. Verify status prior to exporting.</p> <p>INTERPRET DRAWING IN ACCORDANCE WITH ASME Y14.5-2018</p>	Model No: CJ70E-BBBDD RoHS2 2015/863/EU .XX ±.02 .XXX ±.010 ANGLES ±2	Title: TROMPETER TRB JACK, WRENCH CRIMP 3RD ANGLE PROJECTION ENGINEER: C. MONAHAN Date: 4/26/2024	Drawing No: 3-0043 Size B DO NOT SCALE DRAWING TFS-4 Sheet 1 OF 1
	Cage Code: 14949 REV: Y		