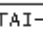

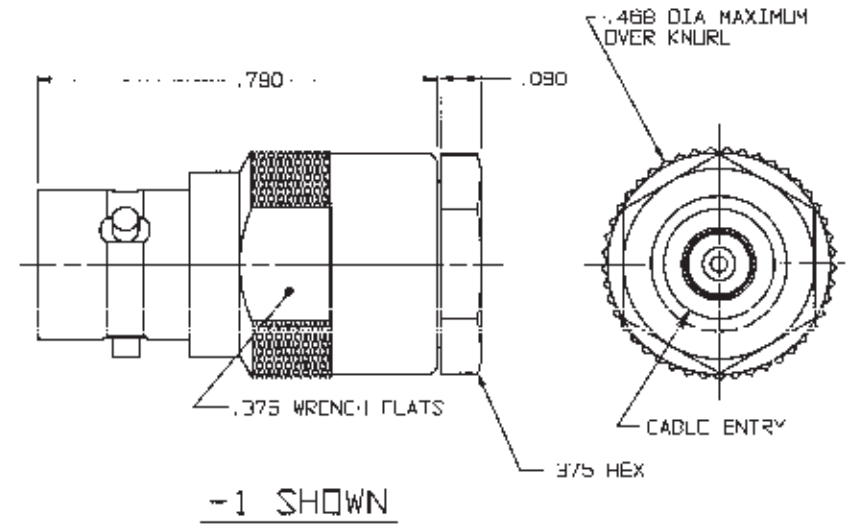
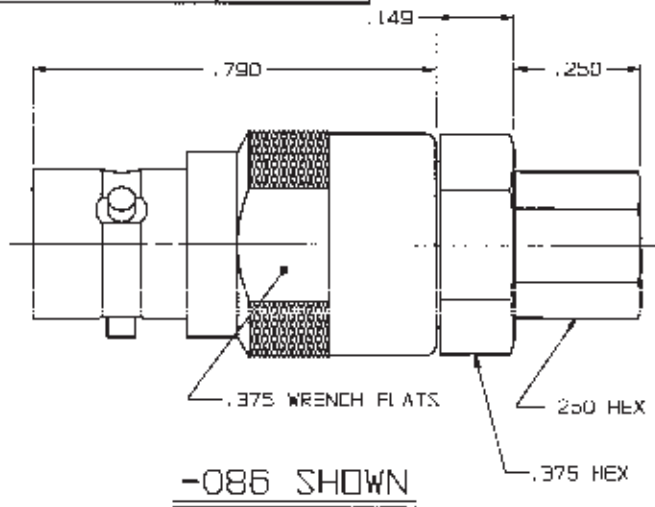



RED INDICATES ORIGINAL



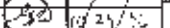
| CASH NO | CABLES ACCOMMODATED | ASSEMBLY PER | INLH | PM |
|---------|---|--------------|------|-------|
| -1 | RG-58 | TAI-135 | .005 | 0.13 |
| -2 | RG-59 | | .060 | 2.03 |
| -2A | B279 BELDEN | | .149 | 3.78 |
| -2B | 730A AT&T  | TAI-10B | .250 | 6.35 |
| -3 | RG-223 | TAI-135 | .375 | 9.53 |
| -4 | RG-122 | | .468 | 11.89 |
| -5 | RG-174 | | .790 | 20.07 |
| -5A | RG-196 | | | |
| -22 | RG-180 | | | |
| -31 | GRIMMAN GCR755P: | TAI-130 | | |
| -36 | CXN1362; GDRE | | | |
| -086 | RG-405 | | | |
| -141 | RG-402 | | | |

DWG SIZE: **B**
 DATA CONTAINED IN THIS DOCUMENT IS PROPRIETARY TO TROMPETER ELECTRONICS, INC. AND SHALL NOT BE DISCLOSED, COPIED OR USED FOR PROCUREMENT OR MANUFACTURE WITHOUT EXPRESS WRITTEN PERMISSION.

| REVISIONS | | | 1-0137 | | SH 1 |
|-----------|-------|---|--------|---|---------|
| RCV | ECO | DESCRIPTION | DWN | APPROVED | DATE |
| M | 118/5 | REVISED, REDRAWN AND GENERAL UPDATE. ADDED -36; DRAWING NUMBER WAS 1000-0137, SEE ECO | DKC |  | 10/2/86 |



-  NOT WRENCH CRIMP
3. FEMALE TYPE TPS COAXIAL JACK
 2. FINISH: TFS-1A (NICKEL)
 1. ALL DIMENSIONS ARE IN INCHES

| QTY | DESCRIPTION | PART NUMBER | ITEM |
|--|---|--------------|--------------------|
| TOL UNLESS SPECIFIED .XX ± .XXX ±.005 .XXXX ± ANGLES |  | CJ50 | |
| DWN | DKC 10-11-86 | MATERIAL | CODE ICENT |
| CHK |  | 14949 | DRAWING NO. 1-0137 |
| ENGR | | SCALE 4/1 | DATE 1-17-86 |
| APPR |  | DATE 1-17-86 | SHEET 1 OF 2 |