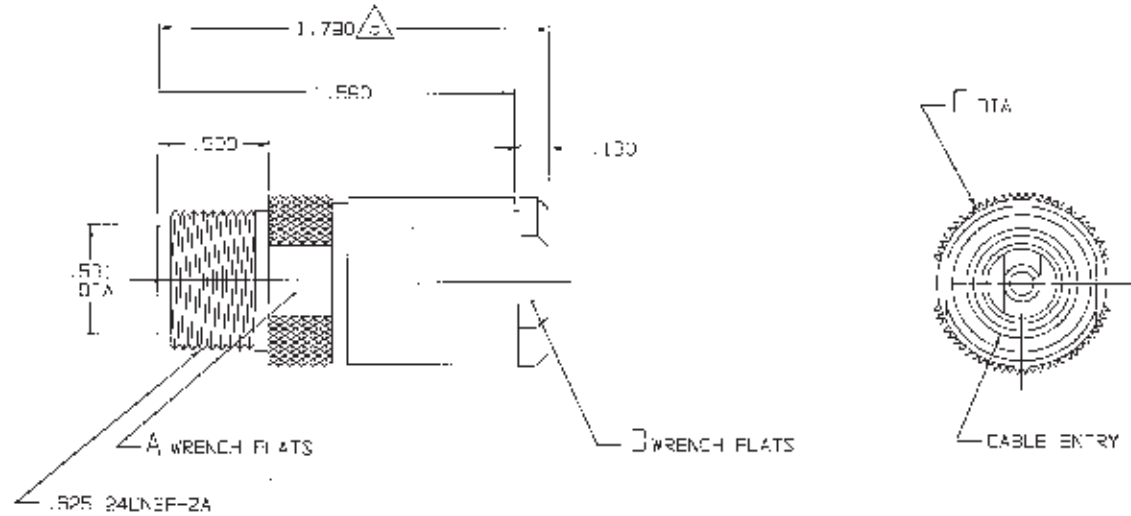


WASI NO	CABLES ACCOMMODATED	A FLATS	B FLATS	C DIA	ASSEMBLY LN
-7	TRC-50-2/TB 75-2				TAC-175
-8	TRC-50-2, BE DEN				
-9	TWC-75-2, 75-10B, WC 124-2				TAC-116
-10	754E, W.E. CO., 30-22				
-11	750A, W.E. CO.	.587	.525	.730	
-12	18-REV, W.E. CO.				TAT-131
-13	TRF-56, TITUS				
-14	8232, BE DEN				
-14	21-52E, ESSEX 8233, BE DEN				TAI-175
-14A	TRC-50-4A				
-15	21-58E, ESSEX	.375	.875	1.000	
-16	21-55C, ESSEX				TAI-116
-26	275-3082, M. J. ROBOT				TAI-175
-28	TRC-124-1A				TAI-116
-32	TRC-50-1				
-42	21-201, ESSEX	.614	.625	.760	41-175
-47	9600, RFI TM				
-48	M177, 75-CC002				IAI-116
-54	89007, RFI TM				
-81	5012W5812, RAY-TEM				
-82	7518AC511, RAY-TEM	.875	.875	1.000	TAC-175

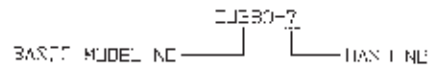
REVISIONS

REV	DESCRIPTION	DATE	APPROVED
1	REVISED FOR EFC 1572E	12-10-04	[Signature]

RED INDICATES ORIGINAL



3. EXAMPLE OF COMPLETE MODEL NO:



4. DIM IS MAX WHEN ASSEMBLED TO CABLE

1. THREADED PORTEN-RIL TWINAX/TROAX FOR STYLE CABLE WILL TRACLE WITH PIN CENTER CONTACT

2. INTERNAL .125-.130

3. FINISH: TFS 1A (CRKEL)

4. A DIM ARE IN INCH

-10 S-LWN

TROMPETER RF connectivity connectivity solutions	
DATE: 12-8-04 TIME: 12:40 BY: [Signature] CHECKED: [Signature] 12/10/04 APPROVED: [Signature] 12/10/04	PART NO: CJEB0 REV: B 14949 DATE: 3-021E DRAWN: [Signature]