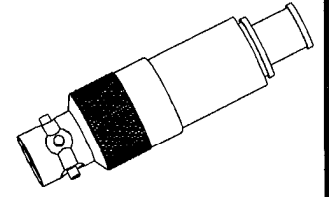


DASH NUMBER	CABLES ACCOMMODATED	A DIM	B DIA	C HEX	STRAIN RELIEF $\triangle 3$	SEALING SLEEVE $\triangle 3$	ASSEMBLE PER
-201	M17/176-00002						
-202	TWC-78-1						
-203	TWC-124-1A	1.164	.349	.255	NONE	1.25	TAI-143
-204	10602, RAYCHEM						
-205	TWAC-78-1F2						
-206	7826D0130, RAYCHEM						
-207	83310 BELDEN	1.289	.452	.344	1.0		TAI-167
-208	202-3927 MICRODOT	1.164	.349	.255	NONE		TAI-143
-209	202-3942 MICRODOT						
-210	8451 BELDEN				1.0		TAI-167
-211	202-3934 MICRODOT	1.289	.452	.344	1.75	NONE	TAI-144
-212	2524E0114, RAYCHEM						
-213	TWC-78-2						
-214	TWC-124-2						
-215	BL-982 TIMES						
-216	BL-1242 TIMES						
-217	GC875TM24H, GRUMMAN	1.164	.349	.255	NONE	1.25	TAI-143
-218	EPD 221888, RAYCHEM						
-219	252601114, RAYCHEM						
-220	GC875RRI, GRUMMAN						
-221	10614, RAYCHEM						
-222	10613, RAYCHEM						
-223	HMS2-1149, HUGHES						
-224	TWCP-124-3	1.289	.452	.344			TAI-144
-225	PS668PL, PRIME STOCK						

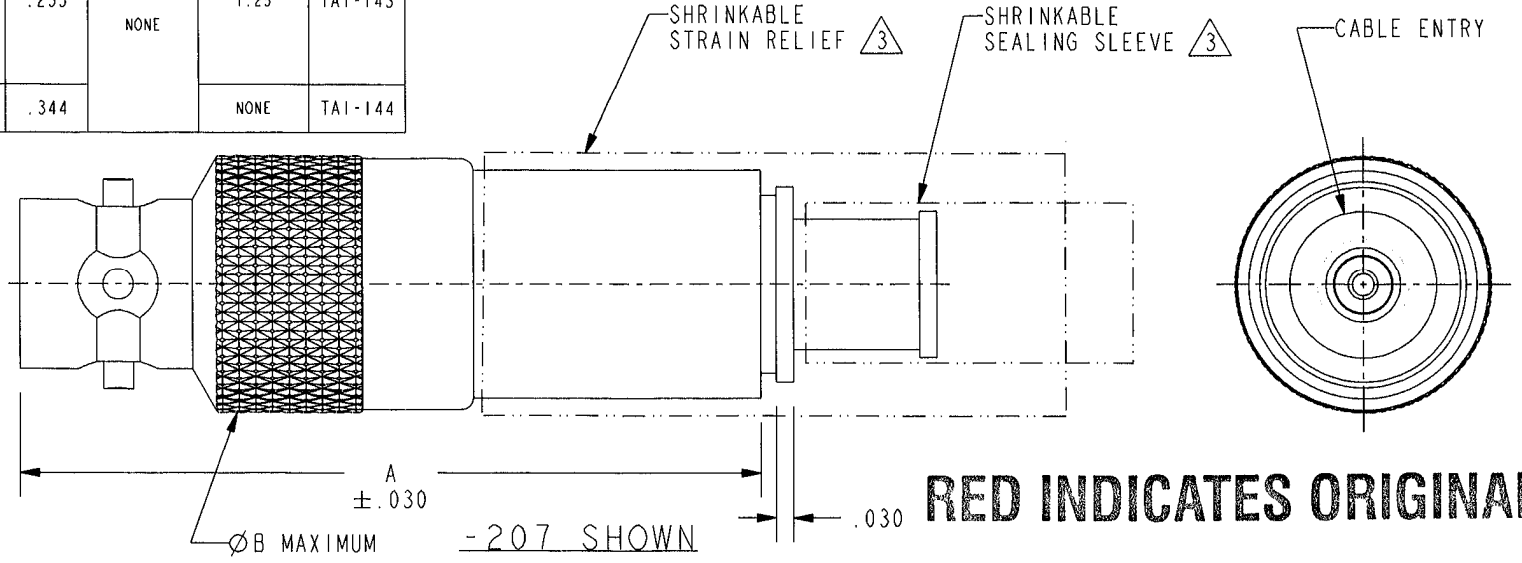
DATA CONTAINED IN THIS DOCUMENT IS PROPRIETARY TO TROMPETER ELECTRONICS INC. AND SHALL NOT BE DISCLOSED, COPIED OR USED FOR PROCUREMENT OR MANUFACTURE WITHOUT EXPRESS WRITTEN PERMISSION.

REVISIONS			
REV	DESCRIPTIONS	DATE	APPROVED
M	REVISED PER ECO 16707	8-4-08	Okamoto

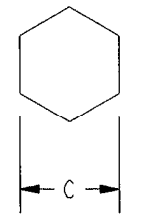
DASH NUMBER	CABLES ACCOMMODATED	A DIM	B DIA	C HEX	STRAIN RELIEF $\triangle 3$	SEALING SLEEVE $\triangle 3$	ASSEMBLE PER
-301	M17/176-00002	1.164	.349	.255	NONE	1.25	TAI-157
-302	GC875GB1, GRUMMAN 5022E5111, RAYCHEM						
-303	TWC-124-1A						
-304	10602, RAYCHEM	1.289	.452	.344	1.75	NONE	TAI-173
-305	M17/177-00001 295-3804 MICRODOT						
-306	TRC-50-2 M17/134-00002						
-307	TRC-75-1	1.289	.452	.344	1.0	1.25	TAI-198
-308	202-3927 MICRODOT	1.164	.349	.255	NONE	1.25	TAI-157
-309	202-3942 MICRODOT						



SCALE 1/1



RED INDICATES ORIGINAL



RECOMENDED HEX CRIMP
SCALE: NONE

$\triangle 3$

1 LENGTH OF SHRINKABLE STRAIN RELIEF AND/OR SHRINKABLE SEALING SLEEVE SUPPLIED LOOSE AS SHOWN IN TABLE

4. EXAMPLE OF COMPLETE MODEL NUMBER:
CJ150ACFL - 201

BASIC MODEL NUMBER | CABLE GROUP DASH NUMBER

2. 4-LUG SUBMINIATURE CONCENTRIC TWINAX (4 PIECE ASSEMBLY) AND TRIAX (6 PIECE ASSEMBLY), FULL CRIMP CABLE PLUG

1. TFS-1A

NOTES: UNLESS OTHERWISE SPECIFIED.

INTERPRET DRAWING PER MIL-STD-100. DIMENSIONS ARE IN INCHES AND INCLUDE FINISH THICKNESS UNLESS OTHERWISE SPECIFIED.		TOL: UNLESS SPECIFIED. .XX ± .02 .XXX ± .010 ANGLE ± 1°	
DRN N JOHNSON	7-18-08	MATERIAL:	TITLE:
CHK JM	7-28-08	FINISH:	CJ150ACFL
QUANTITY			
MANUF			
APPROVED Zm	7/31/08		



SIZE A	CAGE CODE 14949	DRAWING NO. 3-0227	REV. M
SCALE 3/1	DATE 5-31-85	SHEET 1C	

NEXT ASSY
PROJ FILE NO.
3-0227

DO NOT SCALE DWG