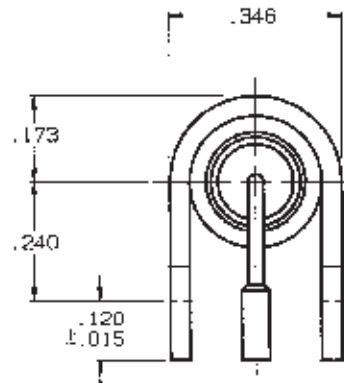
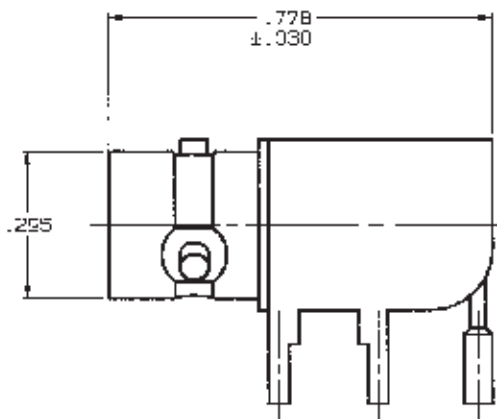


DASH NO	MODEL NO
-1	CBJR50
-2	CBJR50FL
-3	CBJR35C

DISK # DWG SIZE DATA CONTAINED IN THIS DOCUMENT IS PROPRIETARY TO TROMPETER ELECTRONICS INC. AND SHALL NOT BE DISCLOSED, COPIED OR USED FOR PROCUREMENT OR MANUFACTURE WITHOUT EXPRESS WRITTEN PERMISSION.

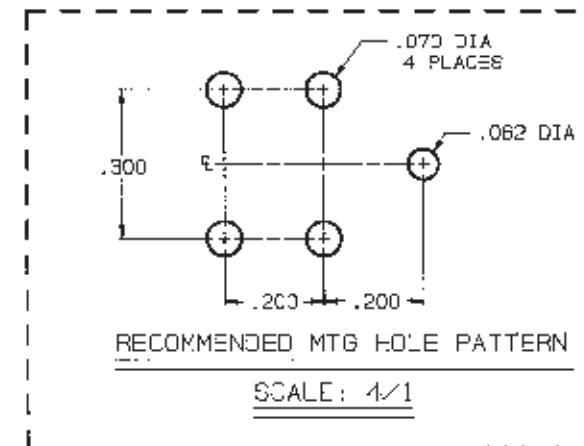
REVISIONS			1-0068		SH. 1
REV	EO	DESCRIPTION	JWN	APPROVED	DATE
A	9857	NOTE 3 WAS "CONCENTRIC TWINAX/TRIAX"; DWG NO WAS 1000-0068 & REDRAWN	J S	<i>[Signature]</i>	10/24/92



INCH	MM
.005	0.13
.015	0.38
.030	0.76
.062	1.57
.120	3.05
.173	4.39
.200	5.08
.240	6.10
.295	7.49
.300	7.62
.345	8.79
.480	12.19
.778	19.76

-1 SHOWN

4. VERTICAL CLEARANCE BETWEEN CIRCUIT BOARDS (INCLUDING MATING CONNECTOR) .480 MINIMUM
3. CONCENTRIC MINIATURE COAXIAL (50 OHM) RIGHT ANGLE CIRCUIT BOARD MOUNT RECEPTACLE
2. FINISH: TF8-1A. (NICKEL)
1. ALL DIM ARE IN INCHES



QTY	DESCRIPTION	PART NUMBER	ITEM
10, UNLESS SPECIFIED	TROMPETER RF connectivity <small>a smt connectivity solutions brand</small>	CBJR50/CBJR50FL/ CBJR35C	
CWN	J S 10/8/92	MATERIAL	CODE IDENT
C-K	<i>[Signature]</i>	14949	DRAWING NO. 1-0068
LNCH		SCALE 4/1	DATE 8/4/87
NEXT ASSY	APP3		SHEET 1 OF 2