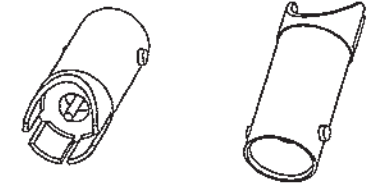


DASH NO	BOARD THICKNESS
-1	.060-.064
-2	.028-.033

DATA CONTAINED IN THIS DOCUMENT IS PROPRIETARY TO TROMPETER ELECTRONICS, INC. AND SHALL NOT BE DISCLOSED, COPIED OR USED FOR PROMOTION OR MANUFACTURE WITHOUT EXPRESS WRITTEN PERMISSION.

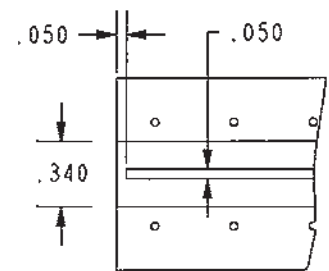
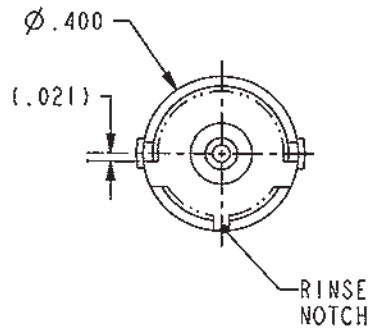
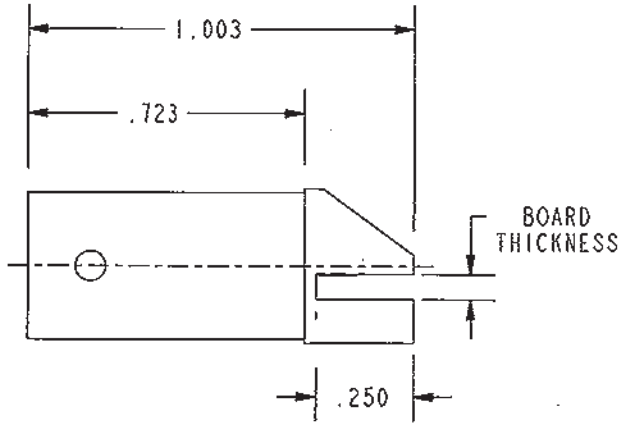
REVISIONS			
REV	DESCRIPTIONS	DATE	APPROVED
A	PRODUCTION RELEASE		

**RED INDICATES ORIGINAL**



REAR FRONT

SCALE 1/1



RECOMMENDED  
PCB LAYOUT  
SCALE 1/1


3. EXAMPLE OF COMPLETE MODEL NO.



2. FINISH: BODY: TFS-1B (GOLD, 2G)  
CONTACT: TFS-1B (GOLD, 5G)

1. 50Ω CIRCUIT BOARD EDGE MOUNT  
"BNC" STYLE RECEPTACLE

NOTES: UNLESS OTHERWISE SPECIFIED.

INTERPRET DRAWING PER MIL-STD-100. DIMENSIONS ARE IN INCHES AND INCLUDE FINISH THICKNESS UNLESS OTHERWISE SPECIFIED.		TOL: UNLESS SPECIFIED. .XX ± .02 .XXX ± .010 ANGLE ± 1°					
DN	AAH 7-9-02	MATERIAL:				TITLE:  CBJE20	
CHK	WZ 7/9/02	FINISH:		SIZE	CAGE CODE	DRAWING NO.	REV.
QUALITY	WZ 7/9/02	SEE NOTE 2		A	14949	1-0628	A
MARK	WZ 7/9/02	DO NOT SCALE DWG		SCALE	DATE	SHEET	IC
APPROVED	WZ 7/9/02	NEXT ASSY		SCALE	DATE	SHEET	IC
PROJECT NO.	1-0628			SCALE	DATE	SHEET	IC