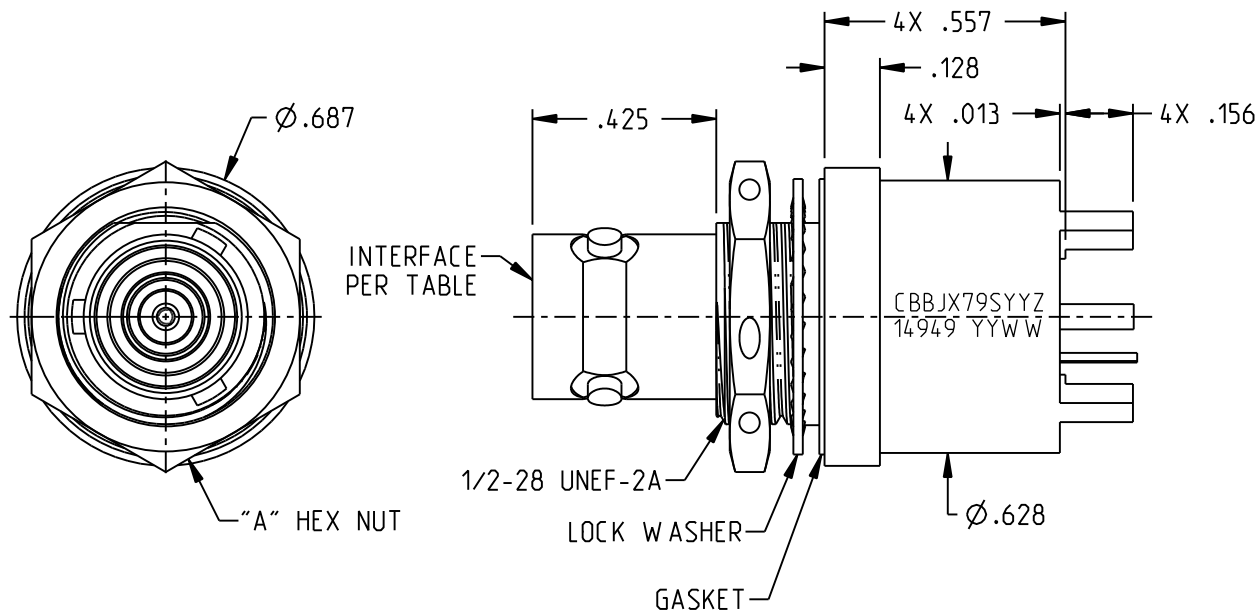


MODEL NUMBER	"A"	INTERFACE PER	SH
CBBJ79	9/16	MIL-STD-348 FIG. 201-2	1
CBBJ79S	5/8 w/3X ϕ .047 SAFETY WIRE HOLES		
CBBJ79TL	9/16		
CBBJ79TLS	5/8 w/3X ϕ .047 SAFETY WIRE HOLES		
CBBJ79FL	9/16		
CBBJ79FLS	5/8 w/3X ϕ .047 SAFETY WIRE HOLES		
CBBJ379	9/16	MIL-STD-348 FIG. 202-2	2
CBBJ379S	5/8 w/3X ϕ .047 SAFETY WIRE HOLES		
CBBJ79TL-1M	9/16	MIL-STD-348 FIG. 201-2	2
CBBJ379-1M	9/16	MIL-STD-348 FIG. 202-2	



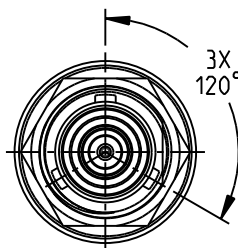
CBBJ79S SHOWN
UNLESS SPECIFIED DIMENSIONS
COMMON TO ALL MODEL NUMBERS

NOTES: UNLESS OTHERWISE SPECIFIED.

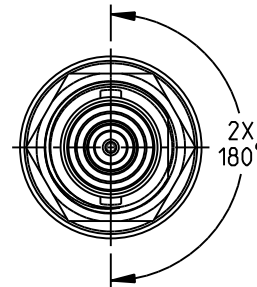
- MATERIAL & FINISH:
 - BODY: TIN PLATED BRASS
 - INSULATOR & DIELECTRIC: PTFE (TEFLON)
 - INTERMEDIATE CONTACT: GOLD PLATED BRASS
 - CENTER CONTACT: GOLD PLATED BERYLLIUM COPPER
 - GASKET: SILICONE RUBBER
 - MOUNTING HARDWARE: GOLD PLATED COPPER ALLOY

- ELECTRICAL:
 - FREQUENCY (MAX): 500 MHZ
 - IMPEDANCE: NON-CONSTANT
- PANEL NUT TORQUE (MAX): 35 INCH POUNDS
- PANEL THICKNESS (MAX): .109

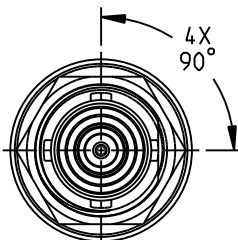
- EXAMPLE OF COMPLETE MODEL NUMBER
CBBJX79YYZ-AA
S - SAFETY WIRE HOLES
BASIC MODEL NO (PRE TABLE)



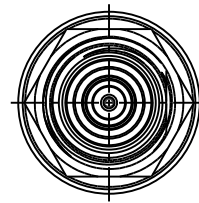
CBBJ79 SHOWN



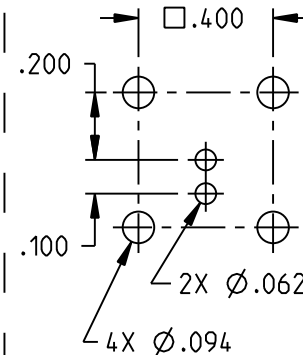
CBBJ79TL SHOWN



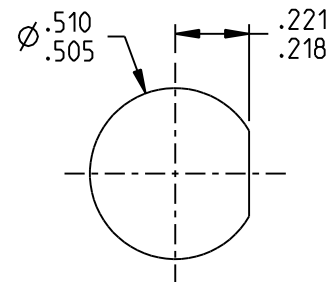
CBBJ79FL SHOWN



CBBJ379 SHOWN



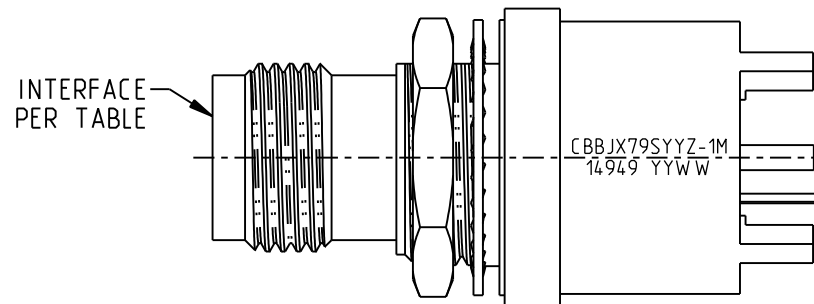
RECOMMENDED
MTG HOLE PATTERN



RECOMMENDED
PANEL CUTOUT

		TROMPETER	
	RoHS2 <input checked="" type="checkbox"/> 2015/863/EU	Title: TRB/TRT BULKHEAD CIRCUIT BOARD JACK	
<small>NOTICE: The information in this drawing is PROPRIETARY and must not be used without the permission of Cinch Connectivity Solutions. It may contain data whose export is restricted. Verify status prior to exporting.</small> <small>INTERPRET DRAWING IN ACCORDANCE WITH ASME Y14.5-2018</small>	<small>UNLESS OTHERWISE SPECIFIED</small> UNITS: INCH .XX ±.02 .XXX ±.010 ANGLES ±2°	Model No.: CBBJX79YYZ	Date: 3/21/2023
	Size: A	DO NOT SCALE DRAWING	Sheet: 1 OF 2

MODEL NUMBER	"A"	INTERFACE PER	SH
CBBJ79	9/16	MIL-STD-348 FIG. 201-2	1
CBBJ79S	5/8 w/3X Ø.047 SAFETY WIRE HOLES		
CBBJ79TL	9/16		
CBBJ79TLS	5/8 w/3X Ø.047 SAFETY WIRE HOLES		
CBBJ79FL	9/16		
CBBJ79FLS	5/8 w/3X Ø.047 SAFETY WIRE HOLES		
CBBJ379	9/16	MIL-STD-348 FIG. 202-2	2
CBBJ379S	5/8 w/3X Ø.047 SAFETY WIRE HOLES		
CBBJ79TL-1M	9/16	MIL-STD-348 FIG. 201-2	2
CBBJ379-1M	9/16	MIL-STD-348 FIG. 202-2	



CBBJ379-1M SHOWN

NOTES: UNLESS OTHERWISE SPECIFIED.

1. MATERIAL & FINISH:

1.1 CBBJ79TL-1M & CBBJ379-1M:

1.1.1 BODY: SILVER PLATED BRASS

1.1.2 INSULATOR & DIELECTRIC: PTFE (TEFLON)

1.1.3 INTERMEDIATE CONTACT: GOLD PLATED BRASS

1.1.4 CENTER CONTACT: GOLD PLATED BERYLLIUM COPPER

1.1.5 GASKET: SILICONE RUBBER

1.1.6 MOUNTING HARDWARE: SILVER PLATED COPPER ALLOY

		<h1>TROMPETER</h1>	
	RoHS2 <input checked="" type="checkbox"/> 2015/863/EU	Title: TRB/TRT BULKHEAD CIRCUIT BOARD JACK	
<small>NOTICE: The information in this drawing is PROPRIETARY and must not be used without the permission of Cinch Connectivity Solutions. It may contain data whose export is restricted. Verify status prior to exporting.</small>	UNLESS OTHERWISE SPECIFIED UNITS: INCH .XX ±.02 .XXX ±.010 ANGLES ±2°	Model No. CBBJX79YYZ	Date: 3/21/2023 Sheet 2 OF 2
<small>INTERPRET DRAWING IN ACCORDANCE WITH ASME Y14.5-2018</small>	Size A	DO NOT SCALE DRAWING	Date: 3/21/2023