

RED INDICATES ORIGINAL

DWG SIZE	DATA CONTAINED IN THIS DOCUMENT IS PROPRIETARY TO TROMPETER ELECTRONICS INC. AND SHALL NOT BE DISCLOSED, COPIED OR USED FOR REPRODUCTION OR MANUFACTURE WITHOUT EXPRESS WRITTEN PERMISSION.			REV	ED	DESCRIPTION	OWN	APPROVED	DATE
C	A					PRODUCTION RELEASE	TCS		

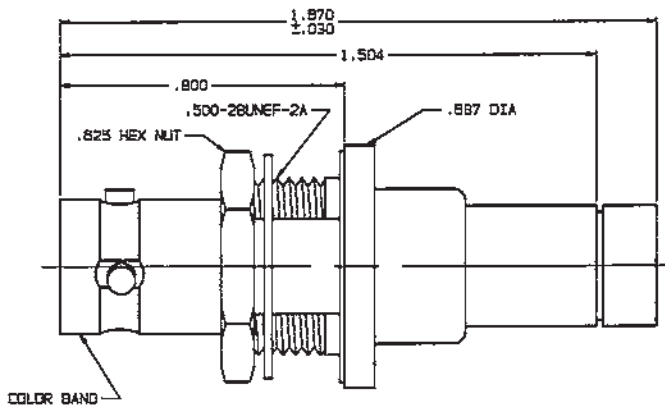
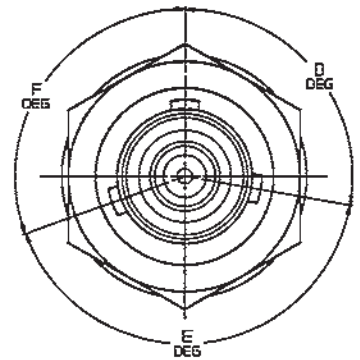
REVISIONS	3-0295	SH 1
-----------	--------	------

DASH NO	CABLES ACCOMMODATED	ASSEMBLE PER
-201	M17/176-00002	
-202	TWC-78-1	
-203	TWC-124-1A	
-204	10802, RAYCHEM	
-205	TWAC-78-1F2	
-206	782600130, RAYCHEM	
-207	83310, BELDEN	
-208	202-3927, MICRODOT	
-209	202-3842, MILRIBBOT	
-210	8451, BELDEN	
-211	202-3934, MICRODOT	
-212	2524E0114, RAYCHEM	
-213	TWC-78-2	TAI-206
-214	TWC-124-2	
-215	BL982, TIMES	
-216	BL1242, TIMES	
-217	GC875TM24H, GRUMMAN	
-218	EOP22188B, RAYCHEM	
-219	252601114, RAYCHEM	
-220	GC875RR1, GRUMMAN	
-221	10814, RAYCHEM	
-222	10813, RAYCHEM	
-223	NMS2-1149, HUGHES	
-224	TWCP-124-3	
-225	PSS65PL, PRIME STOCK	

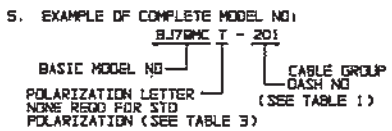
MILITARY PART NO (PIN)	MILITARY CABLE PART NO	TROMPETER PART NO (REF DLY)
M49142/05-0018	M17/45-RG108	MBJ79MCM-213
M49142/05-0118	M17/45-RG108	MBJ79MCMY-213
M49142/05-0218	M17/45-RG108	MBJ79MCMCS-213
M49142/05-0017	M17/176-00002	MBJ79MCM-201
M49142/05-0117	M17/176-00002	MBJ79MCMY-201
M49142/05-0217	M17/176-00002	MBJ79MCMCS-201

KEY LETTER	D DEGREES	E DEGREES	F DEGREES	COLOR BAND
NONE	120°	120°	120°	NONE
T	100°	150°	110°	RED
U	120°	130°	110°	ORANGE
V	115°	130°	115°	YELLOW
W	125°	110°	125°	GREEN
X	130°	100°	130°	BLUE
Y	110°	140°	110°	VIOLET
Z	100°	160°	100°	GRAY
S	135°	135°	90°	WHITE

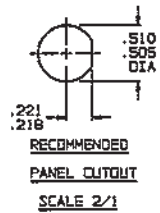
INCH	MM
.005	0.13
.030	0.76
.109	2.77
.218	5.54
.221	5.61
.296	7.52
.505	12.83
.510	12.95
.625	15.88
.687	17.45
.800	20.32
1.504	38.20
1.679	42.42



- ⚠ WHEN CONNECTOR IS SUPPLIED TO MILITARY PART NO (SEE TABLE 2):
- a) ALL PARTS NORMALLY PLATED TFS-1A OR TFS-1U (NICKEL) ARE TO BE PLATED TFS-1M (SILVER)
 - b) MARK PART WITH MILITARY PIN (SEE TABLE 2) AND "14949"
 - c) QUALITY CONFORMANCE INSPECTION SHALL BE PER MIL-C-48142 SECTION 4.5



4. MAX PANEL THK .108
3. CONCENTRIC TWINAX 3-LUG TRB, MILITARY FULL CRIMP CABLE RECEPTACLE
2. FINISH: TFS-1A (NICKEL) ⚠
1. ALL DIMENSIONS ARE IN INCHES



QTY	DESCRIPTION	PART NUMBER	ITEM
TOL UNLESS SPECIFIED X1 X100 ±.005 X10000 ANGLES	TROMPETER RF connectivity	BJ79MCM/TAW/ W/V/V/S	
OWN YES 12/4/85	MATERIAL 14949	CODE 108T	DRAWING NO. 3-0295
CHK Ben	ENGR	DATE 12/15/85	REV A
APPR	NEXT ASSY	SCALE 4/1	DATE 12/15/85 SHEET 1C