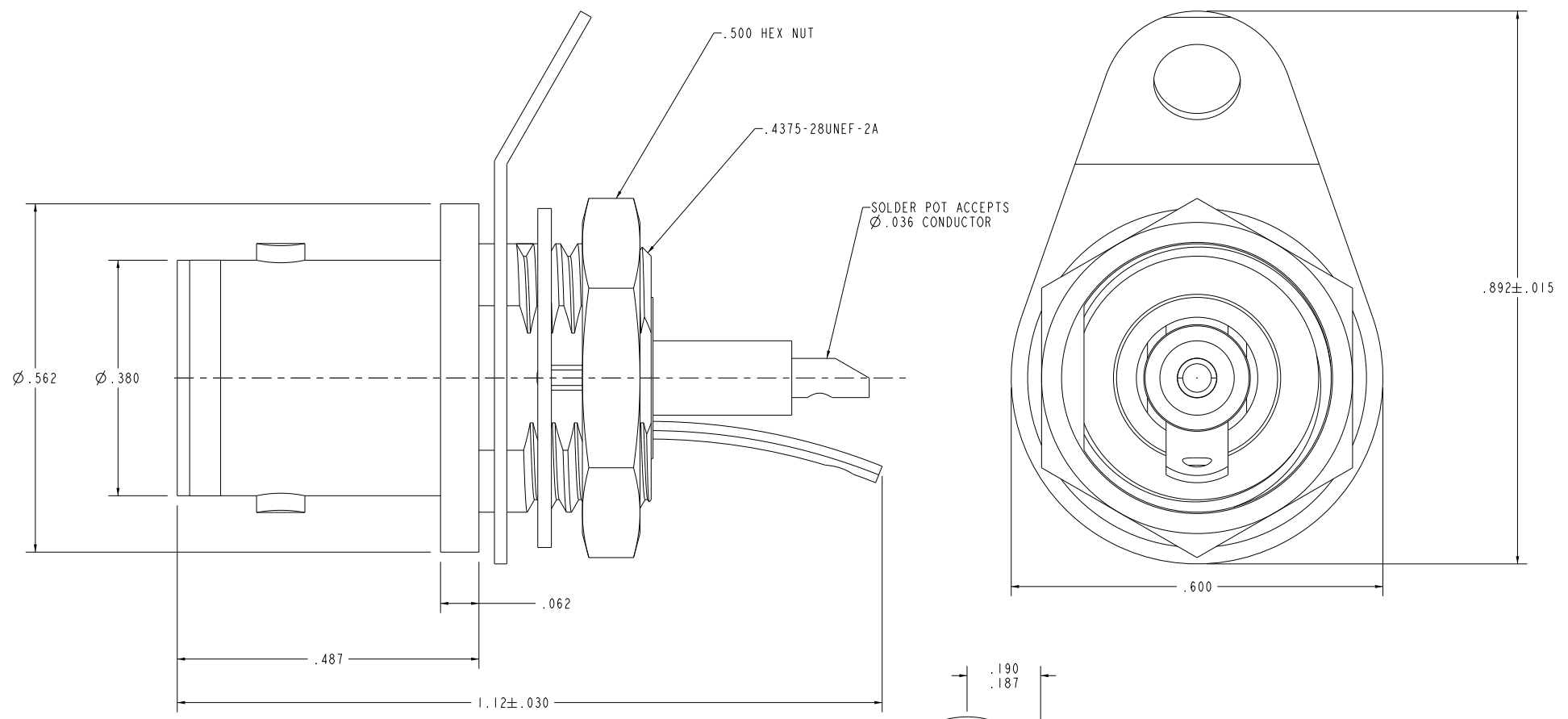


DATA CONTAINED IN THIS DOCUMENT IS PROPRIETARY TO EMERSON CONNECTIVITY SOLUTIONS AND SHALL NOT BE DISCLOSED, COPIED OR USED FOR PROMOTION OR MANUFACTURE WITHOUT EXPRESS WRITTEN PERMISSION

REVISIONS			
REV	DESCRIPTIONS	DATE	APPROVED
K	ECO 52831	12/20/10	T.KOHLER



1. FINISH: TFS-1A (NICKEL)
2. SOCKET CONTACT CONCENTRIC TWINAX/ TRIAX 2-LUG TRB SOLDER POT BULKHEAD MOUNT RECEPTACLE
3. MAX PANEL THK .125

NOTES: UNLESS OTHERWISE SPECIFIED.

I INTERPRET DRAWING PER MIL-STD-100. DIMENSIONS ARE IN INCHES AND INCLUDE FINISH THICKNESS UNLESS OTHERWISE SPECIFIED.		TOL: UNLESS SPECIFIED. .XX ± .XXX ± .005 .XXXX ± ANGLE ± CRITICAL	
DRN	J. CRAWFORD	1/29/11	MATERIAL:
CHK	C. WALLACE	2/7/11	FINISH:
QUALITY			
MANUF			
APPROVED			
N/A		DO NOT SCALE DWG	
SURFACE AREA		PROJ FILE NO. 305-0508	SCALE 8/1
		DATE 10/10/83	SHEET 1 OF 2
TITLE: BJ77TL SIZE CAGE CODE DRAWING NO. REV. C 14949 305-0508 K cinch CONNECTIVITY SOLUTIONS 299 Johnson Ave. Ste. 100 Waseca, MN 56093 1-800-247-8256			