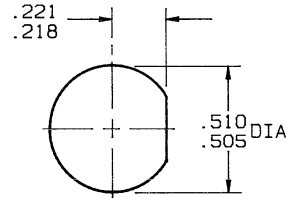


DATA CONTAINED IN THIS DOCUMENT IS PROPRIETARY TO TROMPETER ELECTRONICS INC. AND SHALL NOT BE DISCLOSED, COPIED OR USED FOR PROCUREMENT OR MANUFACTURE WITHOUT EXPRESS WRITTEN PERMISSION.

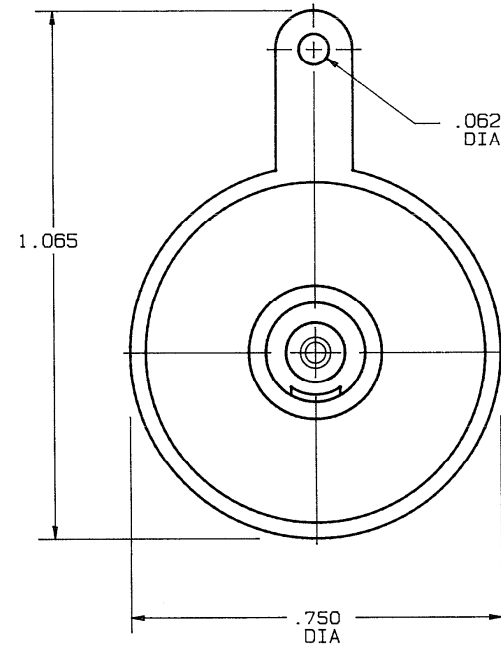
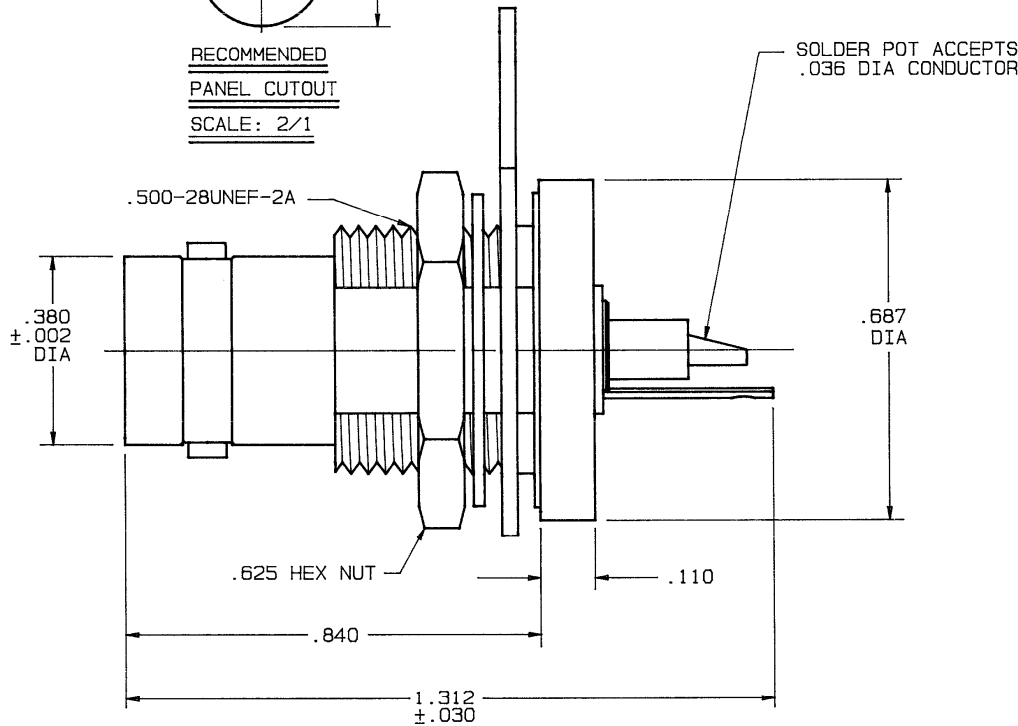
REVISIONS

3-0129 SH 1

REV	EO	DESCRIPTION	DWN	APPROVED	DATE
B	8270	SH 1 .625/.240/.208 WERE .562/.250/.218; SH 2, L/M ITEM 6 WAS 8-1520-17 AND REDRAWN	DJK	<i>[Signature]</i>	12-26-88



RECOMMENDED
PANEL CUTOUT
SCALE: 2/1



INCH	MM
.002	0.05
.005	0.13
.030	0.76
.036	0.91
.062	1.57
.110	2.79
.208	5.28
.218	5.54
.221	5.61
.240	6.10
.380	9.65
.505	12.83
.510	12.95
.625	15.88
.687	17.45
.750	19.05
.840	21.34
1.065	27.05
1.312	33.32

4. MAX PANEL THK .240 W/O SOLDER LUG
.208 THK W/ SOLDER LUG
3. CONCENTRIC TWINAX/TRIAX TRB
REAR MOUNT SOLDER POT
BULKHEAD RECEPTACLE
2. FINISH: TFS-1A (NICKEL)
1. ALL DIM ARE IN INCHES

QTY	DESCRIPTION		PART NUMBER	ITEM
TOL UNLESS SPECIFIED .xx ± .xxx ± .005 .xxxx ± ANGLES ±	TROMPETER ELECTRONICS, INC.		BJ76TL	
DWN	DJK	11/23/88	MATERIAL	CODE IDENT
CHK	<i>[Signature]</i>	12/5/88	14949	DRAWING NO. 3-0129
ENGR	<i>[Signature]</i>	12/6/88	SCALE 4/1	DATE 12/15/87
APPR	<i>[Signature]</i>	12/19/88	DATE 12/15/87	SHEET 1 OF 2

NEXT ASSY	APPR	<i>[Signature]</i>	12/19/88	SCALE 4/1	DATE 12/15/87	SHEET 1 OF 2
-----------	------	--------------------	----------	-----------	---------------	--------------