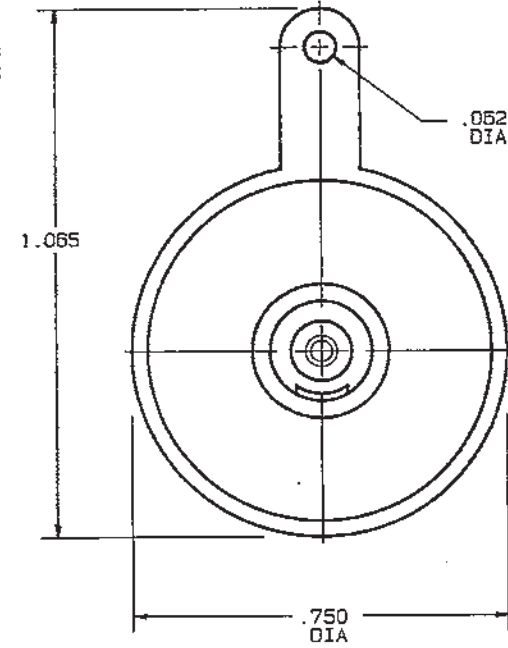
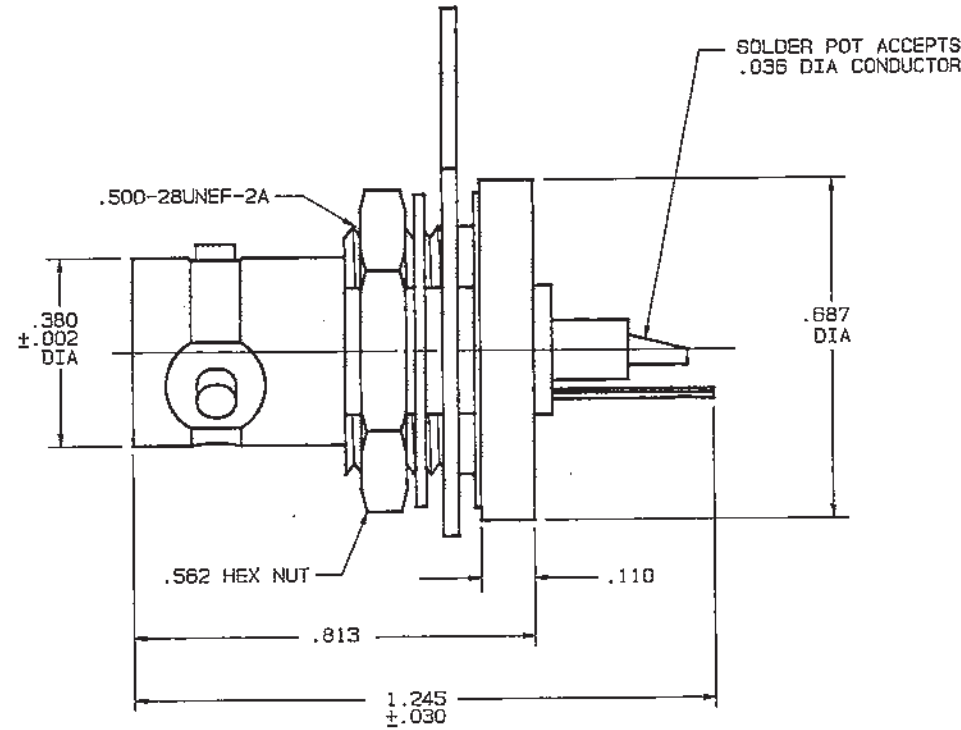
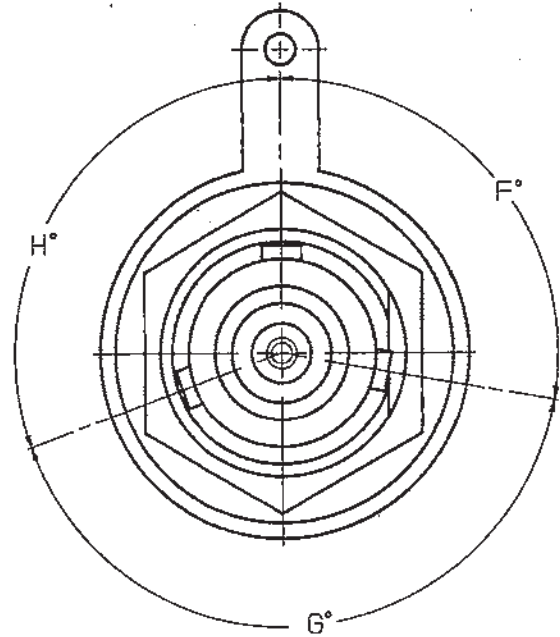


DISK # DWG SIZE DATA CONTAINED IN THIS DOCUMENT IS PROPRIETARY TO TROMPETER ELECTRONICS INC. AND SHALL NOT BE DISCLOSED, COPIED OR USED FOR PROCUREMENT OR MANUFACTURE WITHOUT EXPRESS WRITTEN PERMISSION.

REVISIONS			3-0258		SH 1
REV	EO	DESCRIPTION	DWN	APPROVED	DATE
K	9164	ADDED -1 THRU -9; -9 WAS BASIC; ADDED POLARIZATION CHART TABLE; ADDED END VIEW & NOTE 6; NOTE 5 WAS FOR POLARIZED VERSION SEE 305-0763 & ADDED (5) TO ITEM 1	J S	E.M.	1/25/91

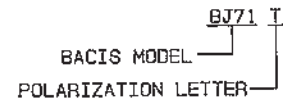
DASH NO	KEYING LETTER	F DEGREES	G DEGREES	H DEGREES	COLOR BAND
-1	T	100°	150°	110°	RED
-2	U	120°	130°	110°	ORANGE
-3	V	115°	130°	115°	YELLOW
-4	W	125°	110°	125°	GREEN
-5	X	130°	100°	130°	BLUE
-6	Y	110°	140°	110°	VIOLET
-7	Z	100°	160°	100°	GRAY
-8	S	135°	135°	90°	WHITE
-9	NONE	120°	120°	120°	NONE



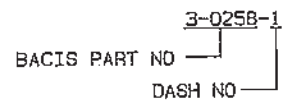
-1 SHOWN

INCH	MM
.002	0.05
.005	0.13
.030	0.76
.036	0.91
.052	1.57
.094	2.39
.110	2.79
.218	5.54
.221	5.61
.360	9.65
.505	12.83
.510	12.95
.562	14.27
.687	17.45
.750	19.05
.813	20.65
1.065	27.05
1.245	31.62

6. EXAMPLE OF COMPLETE MODEL NO:



5. EXAMPLE OF COMPLETE PART NO:

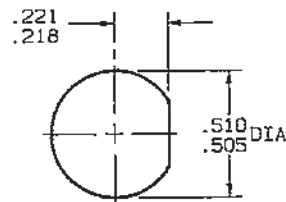


4. MAX PANEL THK .094

3. CONCENTRIC TWINAX/TRIAX TRB REAR MOUNT SOLDER POT BULKHEAD RECEPTACLE

2. FINISH: TFS-1A (NICKEL)

1. ALL DIM ARE IN INCHES



RECOMMENDED  
PANEL CUTOUT  
SCALE: 2/1

QTY	DESCRIPTION	PART NUMBER	ITEM			
TOL UNLESS SPECIFIED		B771				
.XX ± .XXX ±.005 .XXXX ± ANGLES						
DWN	J S	1/21/91	MATERIAL	CODE IDENT	DRAWING NO.	REV
CHK	E.M.	1/29/91	14949	3-0258	K	
ENGR						
APPR		1-24-91	SCALE 4/1	DATE 1/11/82	SHEET 1 OF 2	

RED INDICATES ORIGINAL