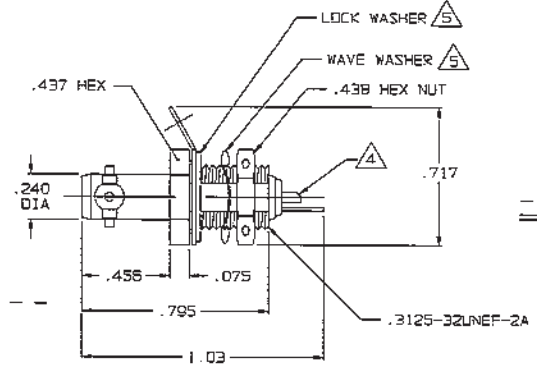
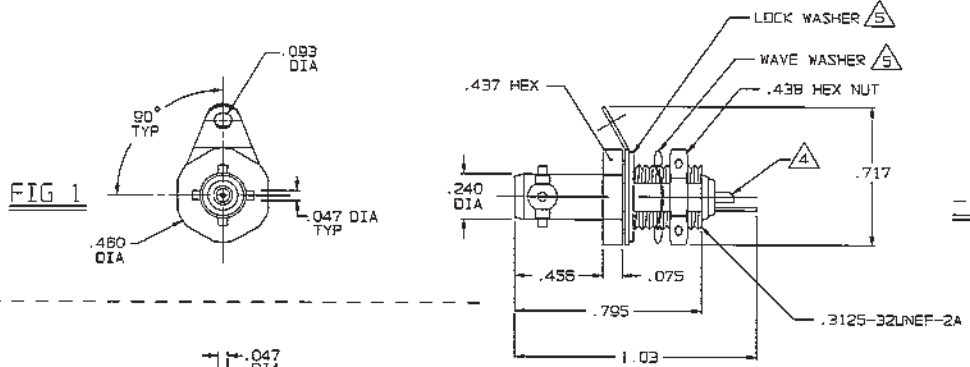


DATA CONTAINED IN THIS DOCUMENT IS PROPRIETARY TO TROMPETER ELECTRONICS INC. AND SHALL NOT BE DISCLOSED, COPIED OR USED FOR PROCUREMENT OR MANUFACTURE WITHOUT EXPRESS WRITTEN PERMISSION.

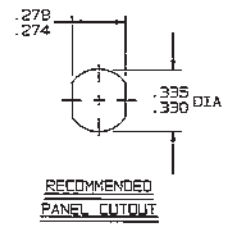
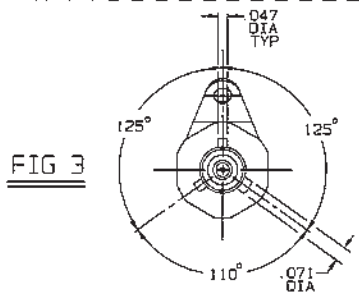
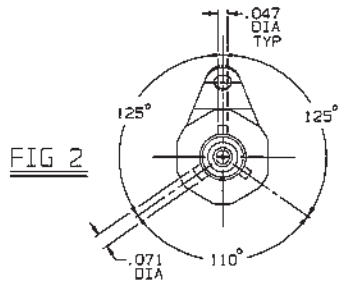
REV		ED	DESCRIPTION	OWN	APPROVED	DATE
A		16049	CHANGE ITEM 14 ON SHEET 2 FROM 8-1570 TO 8-1570-1	L.M.	<i>[Signature]</i>	1-20-06

DASH NO	MODEL NO	CENTER CONTACT/INTMD CONTACT TYPE
-1	BJ457FLP	SOCKET/PIN
-2	BJ457FLS	PIN/SOCKET
-3	BJ457FP	SOCKET/PIN
-4	BJ457PS	PIN/SOCKET
-5	BJ457RP	SOCKET/PIN
-6	BJ457RS	PIN/SOCKET
-7	BJ457WP	SOCKET/PIN
-8	BJ457WS	PIN/SOCKET

INCH	MM
.010	0.25
.020	0.50
.03	0.75
.047	1.19
.071	1.80
.075	1.91
.093	2.36
.240	6.10
.250	6.35
.274	6.96
.278	7.06
.330	8.38
.335	8.51
.437	11.10
.438	11.13
.460	11.68
.717	18.21
.795	20.19
1.03	26.16



-1 SHOWN



7. EXAMPLE OF COMPLETE MODEL NO:  
 BJ457 W P  
 BASIC MODEL NO | LUG POLARIZATION | CENTER & INTERMEDIATE CONTACT TYPE  
 FL = 4-LUG, FIG 1  
 P = 3-LUG, FIG 2  
 R = 3-LUG, FIG 3  
 W = 3-LUG, FIG 4

6. EXAMPLE OF COMPLETE PART NO:  
 3-0118 -1  
 BASIC PART NO | DASH NO

- 5. MAX PNL THK .250 WITH EITHER LOCK WASHER OR WAVE WASHER
- 4. SOLDER POT ACCEPTS .026 MAX DIA CONDUCTOR
- 3. CONCENTRIC TWINAX NONINSULATED BULKHEAD MOUNT RECEPTACLE, SOCKET CENTER CONTACT AND PIN INTERMEDIATE CONTACT OR PIN CENTER CONTACT AND SOCKET INTERMEDIATE CONTACT
- 2. FINISH: TFS-111 (500 HR SALT SPRAY)
- 1. ALL DIM ARE IN INCHES

RED INDICATES ORIGINAL

QTY	DESCRIPTION	PART NUMBER	ITEM
TOL UNLESS SPECIFIED	TROMPETER RF connectivity		
.XX ± .03	BJ457FLP/FLS, PP/PS, RP/RS, WP/WS (FRONT MOUNT)		
.XXX ± .010			
ANGLES ±			
OWN	L.M.	1-27-05	MATERIAL CODE IDENT
CHK	<i>[Signature]</i>	1-27-06	14949
DATE	1-27-06		
		DRAWING NO.	REV
		3-0118	A