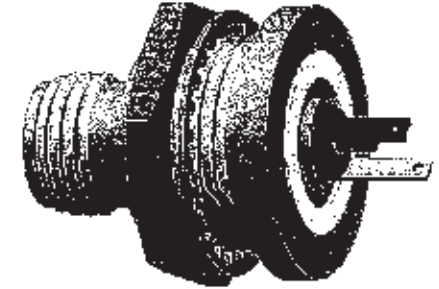


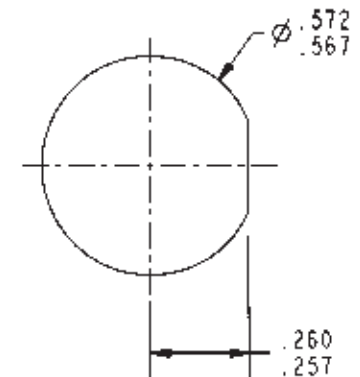
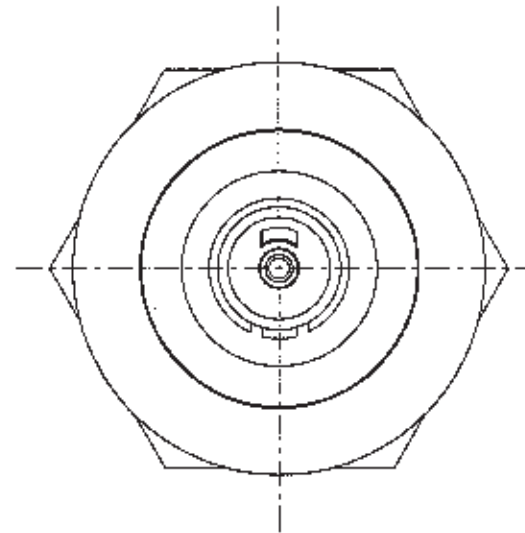
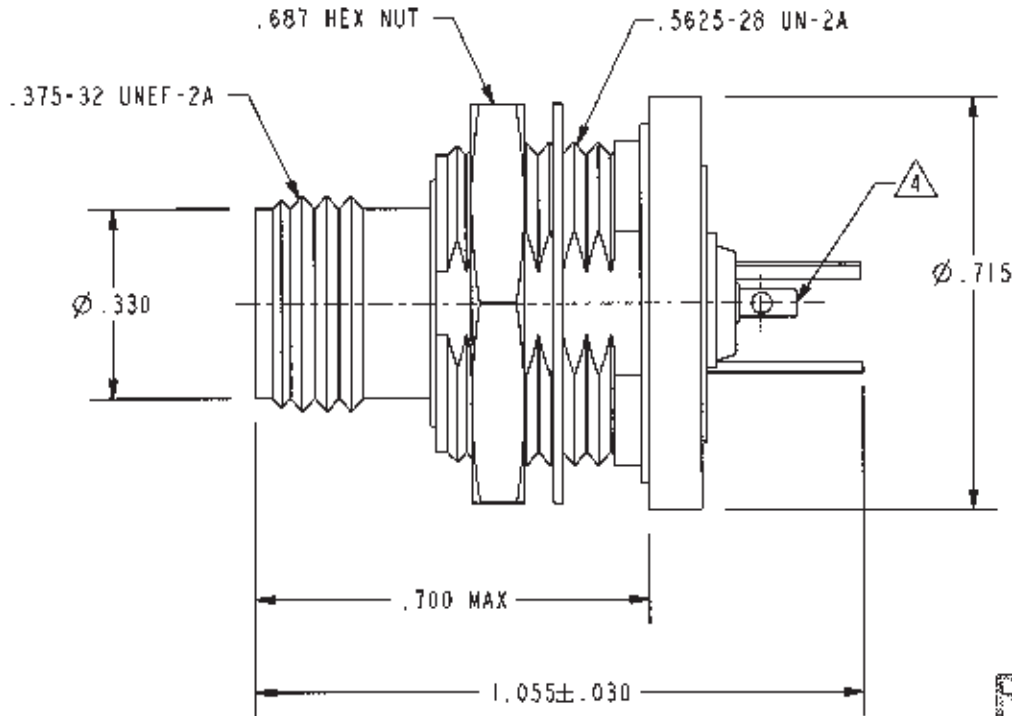
DATA CONTAINED IN THIS DOCUMENT IS PROPRIETARY TO TROMPETER ELECTRONICS INC. AND SHALL NOT BE DISCLOSED, COPIED OR USED FOR PROCUREMENT OR MANUFACTURE WITHOUT EXPRESS WRITTEN PERMISSION.

REVISIONS

REV	DESCRIPTIONS	DATE	APPROVED
E	REVISED PER ECO # 16841	2/12/09	[Signature]



SCALE 2/1



RED INDICATES ORIGINAL

RECOMMENDED
PANEL CUTOUT
SCALE 2/1


△ SOLDER POT ACCEPTS $\phi .026$ MAXIMUM CONDUCTOR

3. MAXIMUM PANEL THICKNESS .148

2. FINISH: TFS-1A (NICKEL)

1. FEMALE THREADED CONCENTRIC TWINAX/TRIAX INSULATED SUBMINIATURE REAR MOUNTING BULKHEAD SOLDER POT RECEPTACLE (TRS SERIES)

NOTES: UNLESS OTHERWISE SPECIFIED.

ANTI-CORROSION BRANDING PER MIL-STD-100, DIMENSIONS ARE IN INCHES AND INCLUDE FINISH THICKNESS UNLESS OTHERWISE SPECIFIED.		FOR UNLESS SPECIFIED .XX ± .02 .XXX ± .010 ANGLE ± 1°		 <p>TROMPETER RF connectivity a cinch connectivity solutions brand</p>	
J. CARPENTER 01-14-09 DATE 2-6-09 QUALITY NAME APPROVED 26-09		MATERIAL: FINISH:			
NEXT ASSY		DO NOT SCALE DWG		PART NO. BJ3155	
PROJ. FILE NO. 3-0114		SCALE 2/1		DRAWING NO. 3-0114 DATE 12-4-85 SHEET 1C	
		SIZE A CAGE CODE 14949		REV. E	