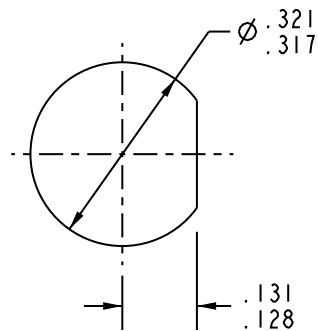
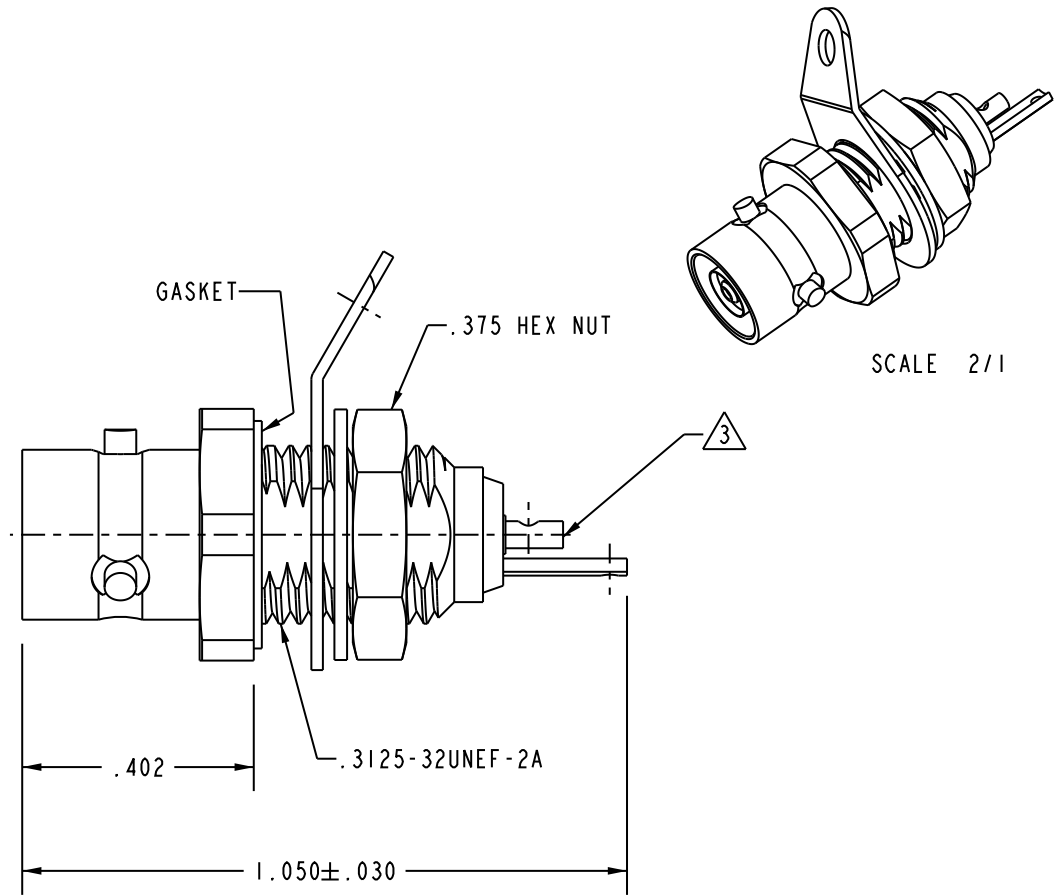
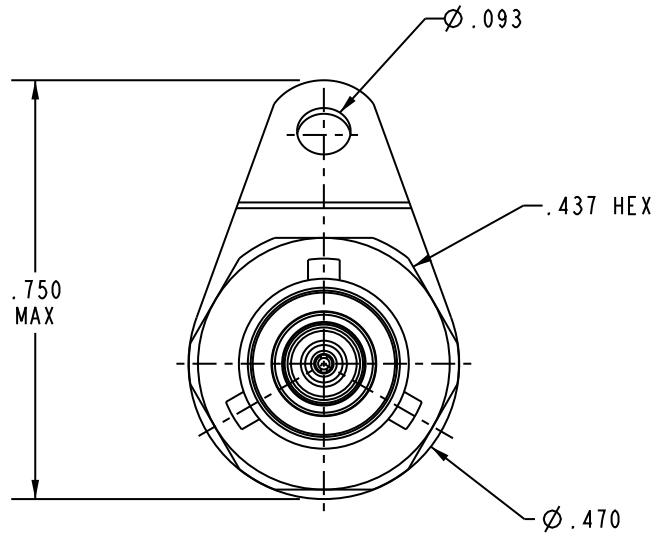


DATA CONTAINED IN THIS DOCUMENT IS PROPRIETARY TO EMERSON CONNECTIVITY SOLUTIONS AND SHALL NOT BE DISCLOSED, COPIED OR USED FOR PROMOTION OR MANUFACTURE WITHOUT EXPRESS WRITTEN PERMISSION

REVISIONS			
REV	DESCRIPTIONS	DATE	APPROVED
P	REVISED PER ECO 16924	6/4/09	



RECOMMENDED
PANEL CUTOUT



4. SUBMINIATURE TRIAXIAL SOLDER POT BULKHEAD MOUNT 3-LUG RECEPTACLE (TPS STYLE)

△ 3 SOLDER POT ACCEPTS Ø .034 MAXIMUM CONDUCTOR

2. MAXIMUM PANEL THICKNESS: .187

△ 1 FINISH: TFS-1A (NICKEL)

NOTES: UNLESS OTHERWISE SPECIFIED.

INTERPRET DRAWING PER MIL-STD-100. DIMENSIONS ARE IN INCHES AND INCLUDE FINISH THICKNESS UNLESS OTHERWISE SPECIFIED.		TOL: UNLESS SPECIFIED. .XX ± .02 .XXX ± .010 ANGLE ± 1°		 Cinch Connectivity Solutions 299 Johnson Ave, Ste. 100 Waseca, MN 56093 1-800-247-8256	
DRN	W JOHNSON	5/8/09	MATERIAL:		TITLE:
CHK	LM	5/25/09	FINISH:		BJ157
QUALITY					SIZE
MANUF			CAGE CODE		DRAWING NO.
APPROVED		LM	5/25/09	△	14949
PROJ TITLE NO		3-0027		DO NOT SCALE DWG	SCALE
SURFACE AREA				SCALE	1/1
				DATE	12-22-75
				SHEET	1 OF 2
				REV.	P
				DRAWING NO.	3-0027