

MODEL NUMBER

147-0701-241

REV	ECO	DATE
1	ECO-19-0031	7/25/2019
2	EC-2202008	2/21/2022
3	EC-2207015	7/28/2022

SPECIFICATION:

ELECTRICAL:

IMPEDANCE: 50 OHMS  
 FREQUENCY RANGE: 0-50 GHz  
 VSWR: 1.5 MAX  
 INSERTION LOSS: 0.05 √F dB MAX (F IN GHz)  
 WORKING VOLTAGE: 150 VRMS MAX AT SEA LEVEL  
 DIELECTRIC WITHSTANDING VOLTAGE: 500VRMS MIN AT SEA LEVEL  
 INSULATION RESISTANCE: 5000 MEGOHM MIN  
 CONTACT RESISTANCE:  
     CENTER CONTACT - INITIAL 4 MILLIOHM MAX, AFTER ENVIRONMENTAL NOT APPLICABLE  
     OUTER CONDUCTOR - INITIAL 2.5 MILLIOHM MAX, AFTER ENVIRONMENTAL NOT APPLICABLE  
 RF LEAKAGE: -90dB TYPICAL AT 2.5GHz

MECHANICAL:

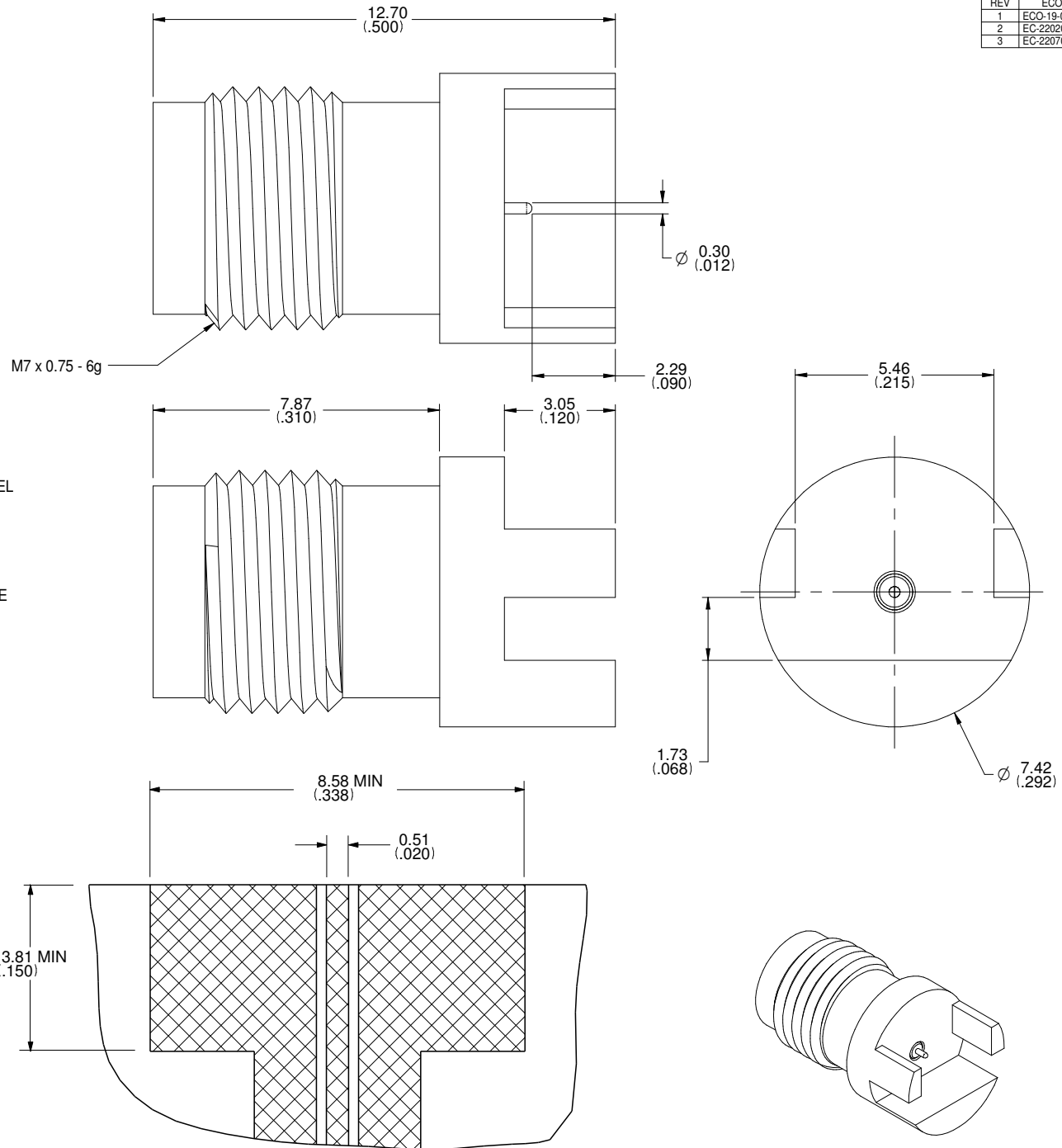
COUPLING TORQUE RECOMMENDED: 0.8 Nm TO 1.1 Nm  
 COUPLING TEST TORQUE: 1.65 Nm  
 DURABILITY: 500 CYCLES MIN

ENVIRONMENTAL:

OPERATING TEMPERATURE: -40 TO 85°C  
 THERMAL SHOCK: IEC 61169-1, SUBCLAUSE 9.4.4  
 CORROSION: IEC 61169-1, SUBCLAUSE 9.4.6  
 SHOCK: IEC 61169-1, SUBCLAUSE 9.3.14  
 VIBRATION: IEC 61169-1, SUBCLAUSE 9.3.3  
 MOISTURE RESISTANCE: IEC 61169-1, SUBCLAUSE 9.4.3

MATERIAL AND FINISH:

BODY: GOLD PLATED BRASS  
 CENTER CONTACT: GOLD PLATED BERYLLIUM COPPER  
 INSULATOR: PTFE (TEFLON)



**RECOMMENDED PCB LAYOUT**  
 NOTE: THIS PATTERN IS FOR REFERENCE ONLY.  
 PATTERN MAY VARY DEPENDING ON ASSEMBLY  
 PROCESS, BOARD TYPE, OR SPECIFIC ELECTRICAL OR  
 MECHANICAL REQUIREMENTS.

	SEE NOTE	Model No. 147-0701-241	
	SEE NOTE	RoHS2 2011/65/EU X ±0.2 X.X ±0.1 X.XX ±0.07 ANGLES 12 DEG	