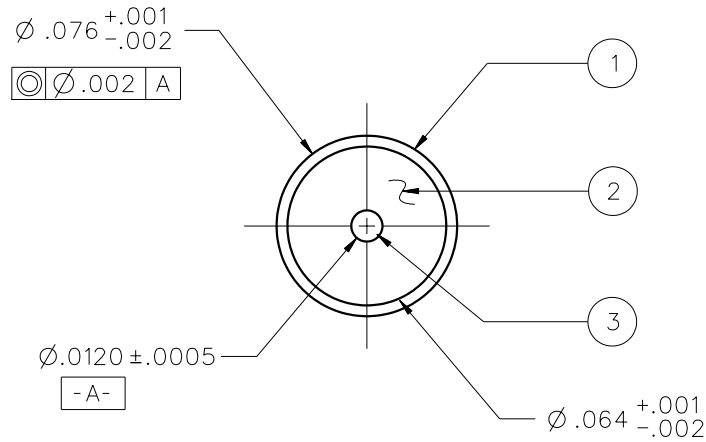
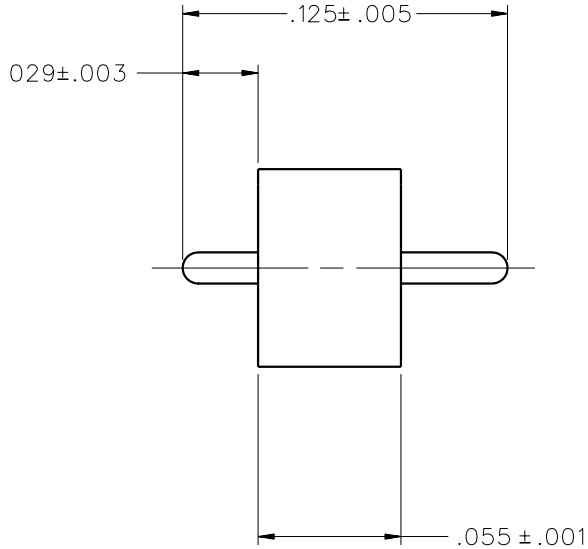


NUMBER	ITEM ① OUTER RING	ITEM ② INSULATOR	ITEM ③ PIN
1000-033	KOVAR GOLD PL .00005 MIN OVER NICKEL PL .000005 MIN	GLASS, CORNING 7070	KOVAR GOLD PL .00005 MIN OVER NICKEL PL .000005 MIN

DRAWING NO. B - 142-1000-033				
0 REVISIONS				
ENGINEERING RELEASE				
1	4-15-03	RH	LG	TRJB
ECN 49021				



NOTES:

1. SPECIFICATIONS:

ELECTRICAL:

IMPEDANCE: 50 OHMS NOMINAL
 FREQUENCY RANGE: DC TO 40 GHZ
 VSWR: DEPENDANT ON APPLICATION
 WORKING VOLTAGE: 250 VRMS MAX AT SEA LEVEL
 DIELECTRIC WITHSTANDING VOLTAGE: 500 VRMS AT SEA LEVEL
 INSULATION RESISTANCE: 5000 MEGOHM MIN
 INSERTION LOSS: 0.2dB MAX AT 40 GHZ

ENVIRONMENTAL:


HERMETICITY: 1×10^{-8} cc/sec AT ONE ATMOSPHERE
 SOLDERABILITY: MIL-STD-202, METHOD 209
 OPERATING TEMPERATURE: -55 DEG C TO +165 DEG C

CUSTOMER DRAWING

THIS DRAWING TO BE INTERPRETED
 PER ANSII Y 14.5M - 1982

"μSTATION"

COMPANY CONFIDENTIAL

TOLERANCE UNLESS OTHERWISE SPECIFIED		DRAWN BY RSH	DATE 4-3-95	 Cinch Connectivity Solutions 299 Johnson Ave. Ste. 100 Waseca, MN 56093 1-800-247-8256	
DECIMALS .XX	mm	CHECKED BY	DATE	TITLE 50 OHM FEEDTHRU, HERMETIC SEAL, SMK (2.92mm)	
.XXX		APPROVED BY T.A.Kari	DATE 9-30-03		
MATERIAL		APPROVED BY	DATE	CODE NO.	DRAWING NO.
FINISH		RELEASE DATE	9-30-03	B - 142-1000-033	
		SCALE NONE	U/M INCH	SHEET 2 OF 2	