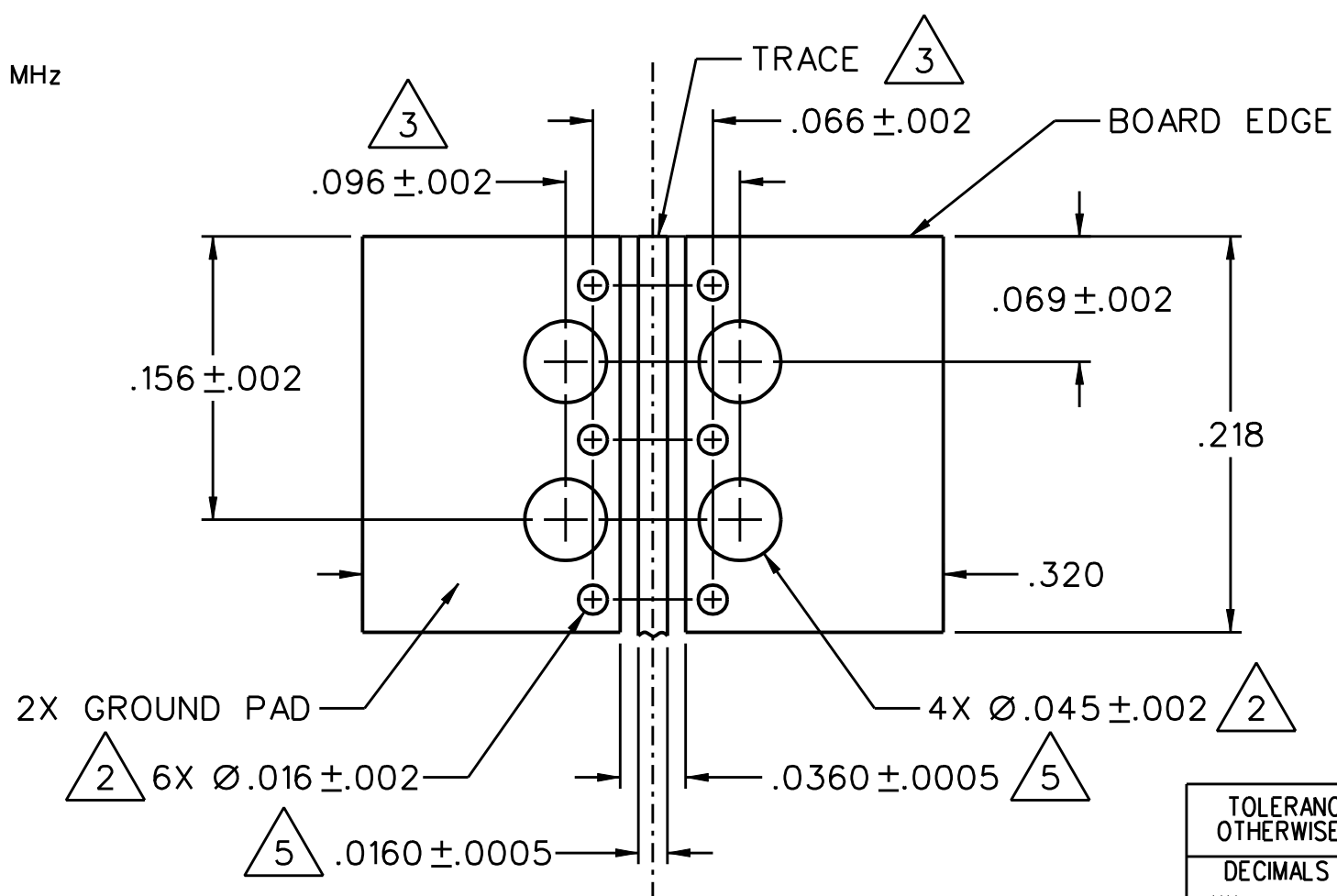
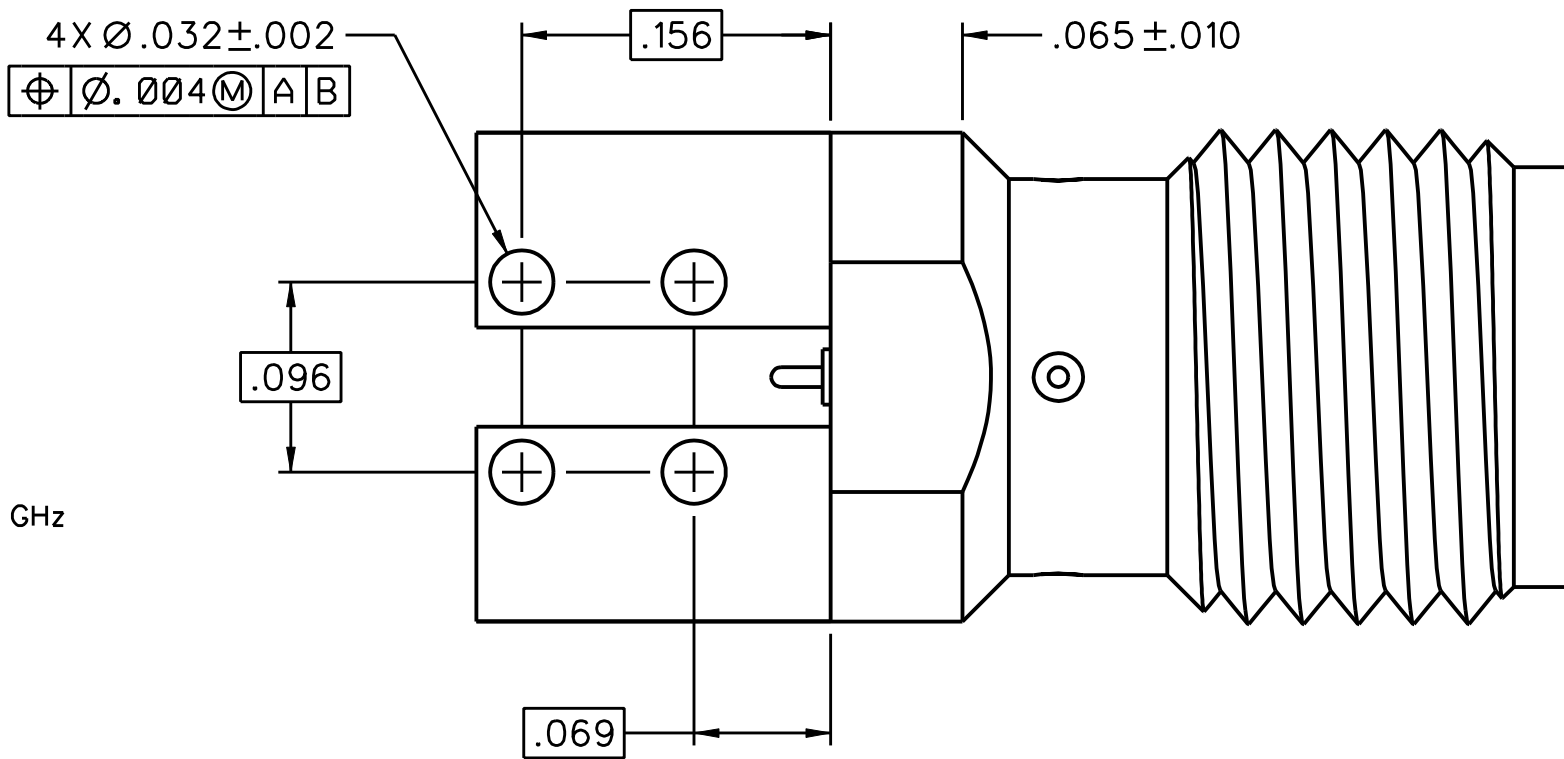
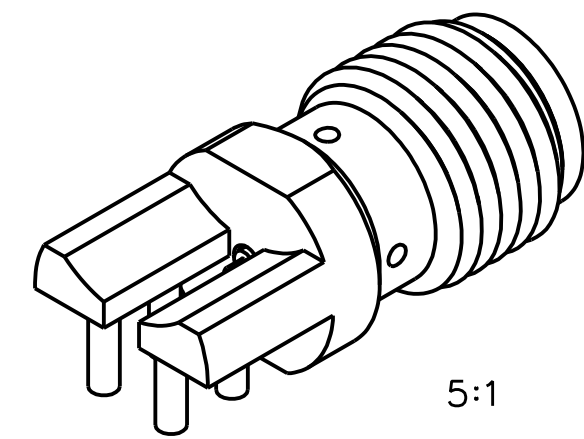
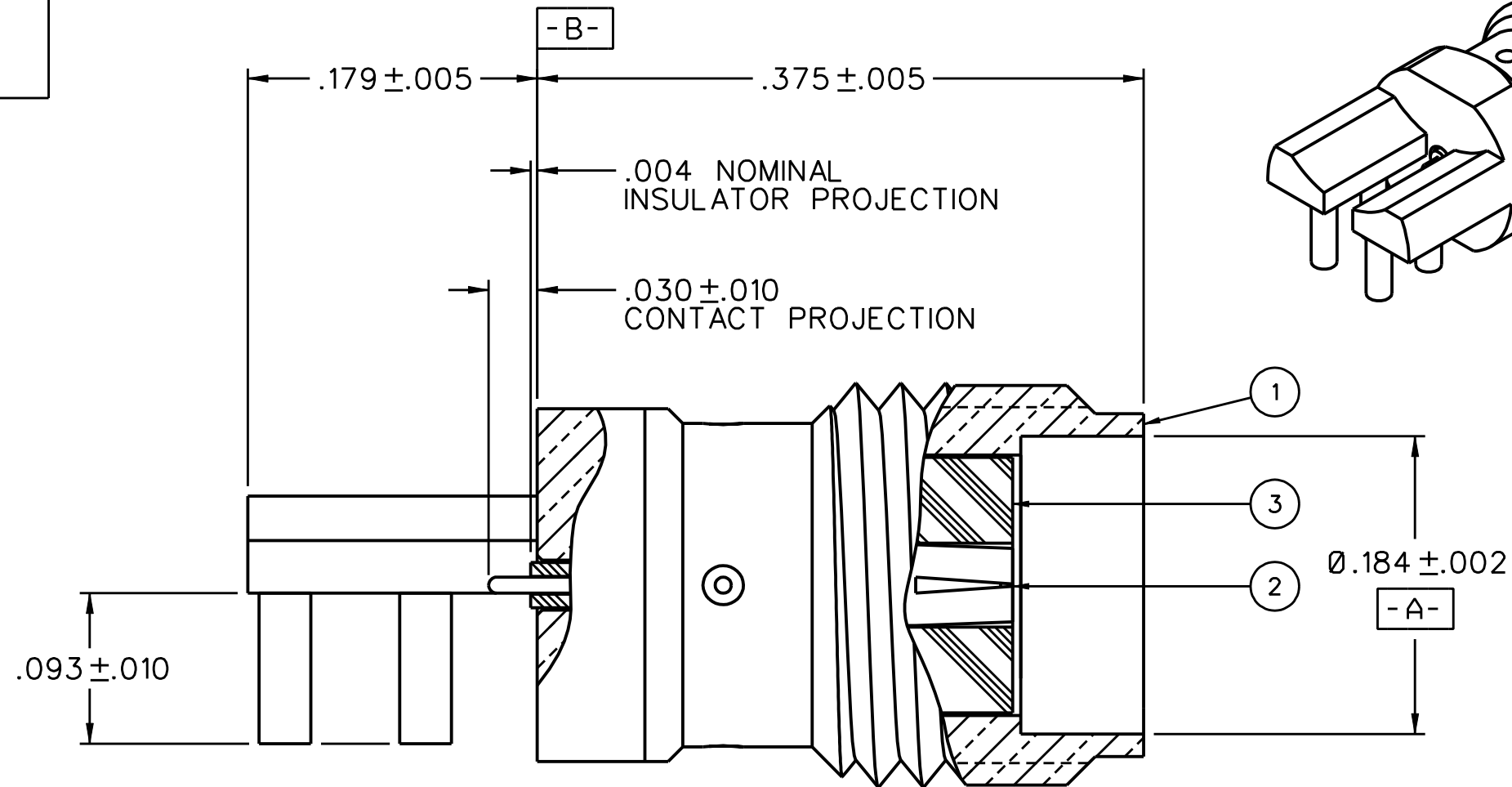
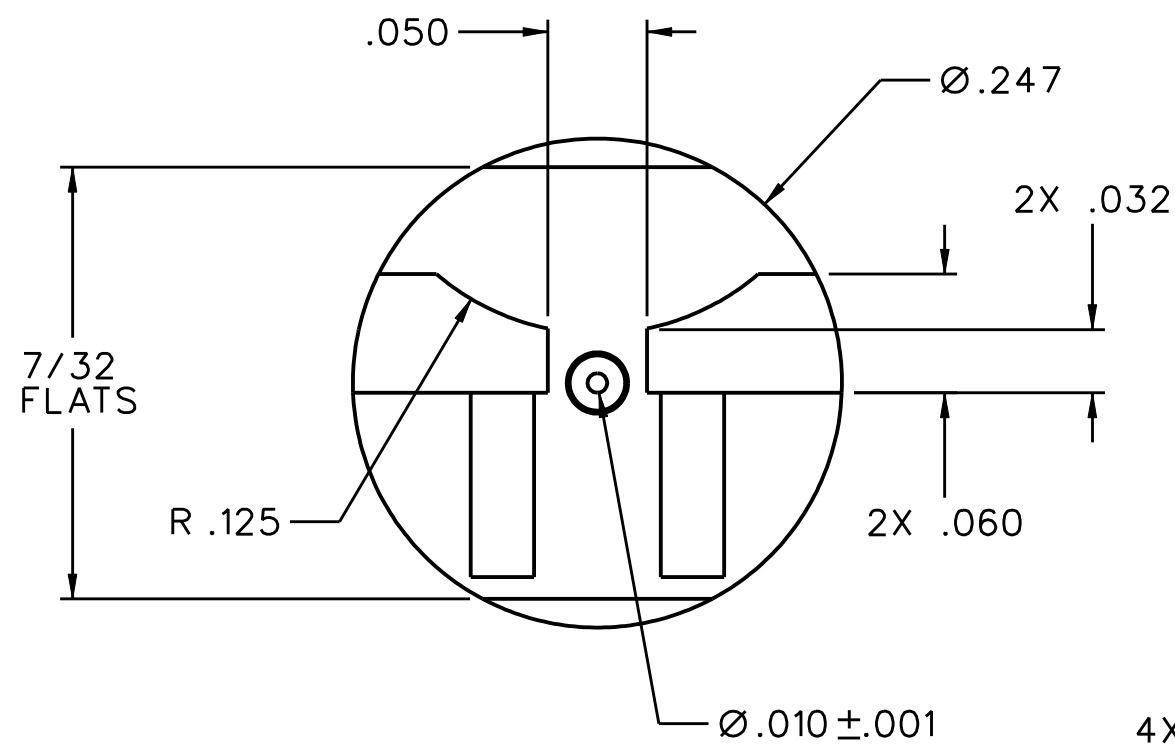


PART NUMBER	ITEM ① BODY	ITEM ② CONTACT	ITEM ③ INSULATOR
142-0761-881	BRASS GOLD PL .00001 MIN OVER NICKEL PL .0001 MIN OVER COPPER PL .00005 MIN	BERYLLIUM COPPER GOLD PL .00005 MIN OVER NICKEL PL .00005 MIN OVER COPPER PL .00005 MIN	TEFLON



NOTES:

1. SPECIFICATIONS:

IMPEDANCE: 50 OHMS
 FREQUENCY RANGE: 0-26.5 GHz
 VSWR: 1.05+.02F(GHz) MAX AT 0-18 GHz, <1.50 TYPICAL AT 18-26.5 GHz
 WORKING VOLTAGE: 170 VRMS MAX AT SEA LEVEL
 DIELECTRIC WITHSTANDING VOLTAGE: 500 VRMS MIN AT SEA LEVEL
 INSULATION RESISTANCE: 1000 MEGOHM MIN
 CONTACT RESISTANCE:
 CENTER CONTACT - INITIAL 3.0 MILLIOHM MAX, AFTER ENVIRONMENTAL 4.0 MILLIOHM MAX
 OUTER CONDUCTOR - INITIAL 2.0 MILLIOHM MAX, AFTER ENVIRONMENTAL NOT APPLICABLE
 CORONA LEVEL: 125 VOLTS MIN AT 70,000 FEET
 INSERTION LOSS: NOT APPLICABLE (DEPENDANT UPON APPLICATION)
 RF LEAKAGE: NOT APPLICABLE
 RF HIGH POTENTIAL WITHSTANDING VOLTAGE: 335 VRMS MIN AT 4 AND 7 MHz

MECHANICAL:

ENGAGE/DISENGAGE TORQUE: 2 INCH-POUNDS MAX
 MATING TORQUE: 7-10 INCH POUNDS
 CONTACT RETENTION: 6 LBS MIN AXIAL FORCE ON MATING END
 4 IN-OZ MIN RADIAL TORQUE
 DURABILITY: 500 CYCLES MIN

ENVIRONMENTAL:

(MEETS OR EXCEEDS THE APPLICABLE PARAGRAPH OF MIL-PRF-39012)
 THERMAL SHOCK: MIL-STD-202, METHOD 107, CONDITION B, EXCEPT 115°C HIGH TEMP
 OPERATING TEMPERATURE: -65 DEG C TO 165 DEG C
 CORROSION: MIL-STD-202, METHOD 101, CONDITION B
 SHOCK: MIL-STD-202, METHOD 213, CONDITION I
 VIBRATION: MIL-STD-202, METHOD 204, CONDITION D
 MOISTURE RESISTANCE: MIL-STD-202, METHOD 106

②. ALL HOLES PLATED THRU ENTIRE CIRCUIT BOARD STACKUP.

③. HOLE PATTERNS SYMMETRICAL ABOUT CENTER OF CPW TRACE.

4. FOR OPTIMUM CIRCUIT BOARD HIGH FREQUENCY PERFORMANCE:
 A. MAINTAIN SOLID GROUND PLANE BELOW HF SUBSTRATE.
 B. CONTROL PULLBACK OF TRACE AND GROUNDS FROM BOARD EDGE.
 C. CONTINUE GROUNDED COPLANAR LINE BEYOND GROUND PADS.
 D. PLACE 16 MIL DIA GROUND VIAS ON BOTH SIDES OF COPLANAR WAVEGUIDE LINE AT 50 MIL INTERVALS ALONG ENTIRE LENGTH.
 E. IMMERSION GOLD PLATE (ENIG) ALL CONDUCTORS PER IPC-4552.

⑤. REFERENCE DIMENSIONS FOR 50 OHM GROUNDED CPW LINE, USING ROGERS RO4003, 8 MIL HIGH FREQUENCY CIRCUIT BOARD SUBSTRATE:
 TRACE WIDTH = 16 MILS
 GROUND GAPS = 10 MILS
 CONDUCTOR THICKNESS = 1 MIL (INCLUDES PLATING)

MOUNTING FOOTPRINT
 10:1 (TOP VIEW, INCLUDING TRACE DIMENSIONS)


DRAWING NO. C-142-0761-881/890	
0	REVISIONS
ENGINEERING RELEASE	
1	8-16-04 J R K 9-10-04 ECN 49414
ADDED NOTE: 6	
***** * REVISION NUMBER FOLLOWED BY AN ALPHA * * CHARACTER INDICATES DRAWING CLARIFI- * * CATION OR PART NUMBER ADDITION ONLY. * *****	
1a	4-14-08 P A T J R K M J L B U F 5-7-08 ECN 51483
ADDED POSITIONAL TOLERANCE TO PC MOUNT LEGS	
***** * REVISION NUMBER FOLLOWED BY AN ALPHA * * CHARACTER INDICATES DRAWING CLARIFI- * * CATION OR PART NUMBER ADDITION ONLY. * *****	
1b	3-31-10 C W W R B J R K M J L B U F 3-31-10 ECO 52226
DELETED NOTE 6	
2	4-23-15 M S J A R M L M J U 4-23-15 ECO 55616

CUSTOMER DRAWING

THIS DRAWING TO BE INTERPRETED PER ASME Y 14.5M - 1994

"μSTATION"

COMPANY CONFIDENTIAL

TOLERANCE UNLESS OTHERWISE SPECIFIED	DRAWN BY JRK	DATE 8-16-04	 P.O. Box 1732 Waseca, MN 56093 1-800-247-8256
DECIMALS	CHECKED BY	DATE	
.XX			TITLE HIGH FREQ END LAUNCH SMA JACK ASSEMBLY, PC MOUNT, 10 MIL PIN
.XXX ±.003			
MATL	APPROVED BY JRK	DATE 9-10-04	SHEET 1 OF 1
FINISH	RELEASE DATE 9-10-04	SCALE 10:1	
DRAWING NO. C-142-0761-881/890			