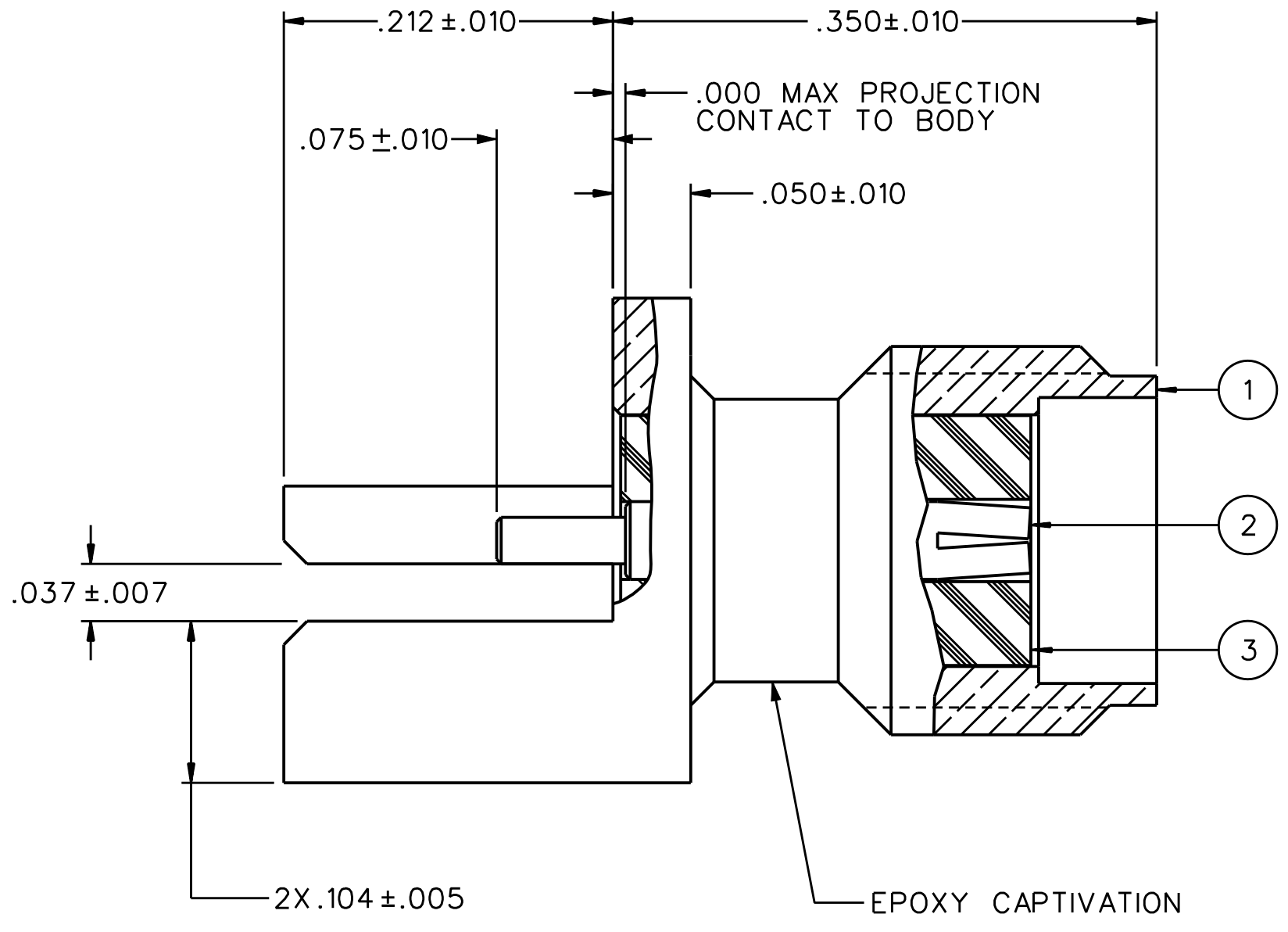
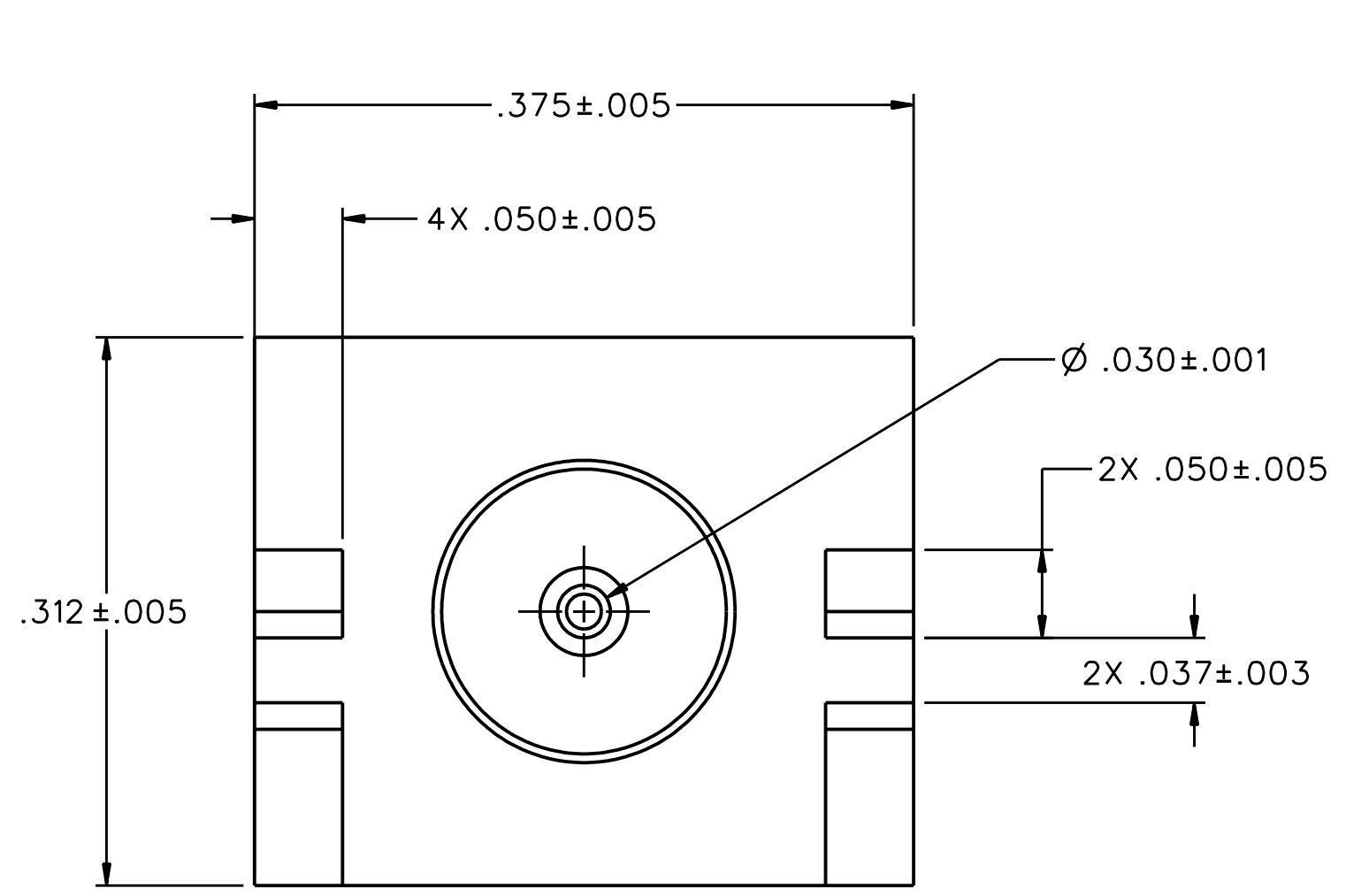


DRAWING NO.
 C - 142-0741-871/880
 0 REVISIONS
 ENGINEERING RELEASE
 1 8-5-02 RJB 8-16-02 ECN 48500

| PART NUMBER | ITEM ① BODY | ITEM ② CONTACT | ITEM ③ INSULATOR |
|--------------|---|--|---------------------|
| 142-0741-871 | BRASS GOLD PL .00001 MIN OVER NICKEL PL .00005 MIN OVER COPPER PL .00005 MIN | BERYLLIUM COPPER GOLD PL .00005 MIN OVER NICKEL PL .00005 MIN OVER COPPER PL .00005 MIN | TEFLON |
| 142-0741-876 | BRASS NICKEL PL .0001 MIN OVER COPPER PL .00005 MIN OVER | BERYLLIUM COPPER GOLD PL .00003 MIN OVER NICKEL PL .00005 MIN OVER COPPER PL .00005 MIN | TEFLON |




NOTES:
 1. SPECIFICATIONS:
 IMPEDANCE: 50 OHMS
 FREQUENCY RANGE: 0-18 GHZ
 VSWR: 1.02 MAX AT 3 GHZ
 WORKING VOLTAGE: 335 VRMS MAX AT SEA LEVEL
 DIELECTRIC WITHSTANDING VOLTAGE: 1000 VRMS MIN AT SEA LEVEL
 INSULATION RESISTANCE: 5000 MEGOHM MIN
 CONTACT RESISTANCE:
 CENTER CONTACT - INITIAL 3.0 MILLIOHM MAX, AFTER ENVIRONMENTAL 4.0 MILLIOHM MAX
 OUTER CONDUCTOR - INITIAL 2.0 MILLIOHM MAX AFTER ENVIRONMENTAL NOT APPLICABLE
 BRAID TO BODY - NOT APPLICABLE
 CORONA LEVEL: 250 VOLTS MIN AT 70,000 FEET
 INSERTION LOSS: NOT APPLICABLE
 RF LEAKAGE: NOT APPLICABLE
 RF HIGH POTENTIAL WITHSTANDING VOLTAGE: 670 VRMS MIN AT 4 AND 7MHz

MECHANICAL:
 ENGAGE/DISENGAGE TORQUE: 2 INCH-POUNDS MAX
 MATING TORQUE: 7-10 INCH POUNDS
 COUPLING PROOF TORQUE: NOT APPLICABLE
 COUPLING NUT RETENTION: NOT APPLICABLE
 CONTACT RETENTION: 6 LBS MIN AXIAL FORCE
 4 IN-OZ MIN RADIAL TORQUE
 CABLE ACCEPTABILITY: NOT APPLICABLE
 CABLE HEX CRIMP SIZE: NOT APPLICABLE
 CABLE RETENTION: NOT APPLICABLE
 DURABILITY: 500 CYCLES MIN

ENVIRONMENTAL:
 (MEETS OR EXCEEDS THE APPLICABLE PARAGRAPH OF MIL-PRF-39012)
 THERMAL SHOCK: MIL-STD-202, METHOD 107, CONDITION B
 OPERATING TEMPERATURE: -65 DEG C TO 165 DEG C
 CORROSION: MIL-STD-202, METHOD 101, CONDITION B
 SHOCK: MIL-STD-202, METHOD 213, CONDITION I
 VIBRATION: MIL-STD-202, METHOD 204, CONDITION D
 MOISTURE RESISTANCE: MIL-STD-202, METHOD 106

CUSTOMER DRAWING
 THIS DRAWING TO BE INTERPRETED PER ASME Y 14.5M - 1994
 "μ STATION"
 COMPANY CONFIDENTIAL

| | | | | |
|--------------------------------------|--------------------|-----------------|---|---|
| TOLERANCE UNLESS OTHERWISE SPECIFIED | DRAWN BY RJB | DATE 8-5-02 |  cinch <small>CONNECTIVITY SOLUTIONS</small> <small>a bel group</small> | P.O. Box 1732 Waseca, MN 56093 1-800-247-8256 |
| DECIMALS mm | CHECKED BY | DATE | | TITLE JACK ASSEMBLY END LAUNCH SMA |
| .XX | | | | |
| .XXX | | | | |
| MATL | APPROVED BY RJB | DATE 8-16-02 | | |
| FINISH | RELEASE DATE | 8-16-02 | SHEET 2 OF 2 | DRAWING NO. C - 142-0741-871/880 |
| | U/M INCH | SCALE 10:1 | | |