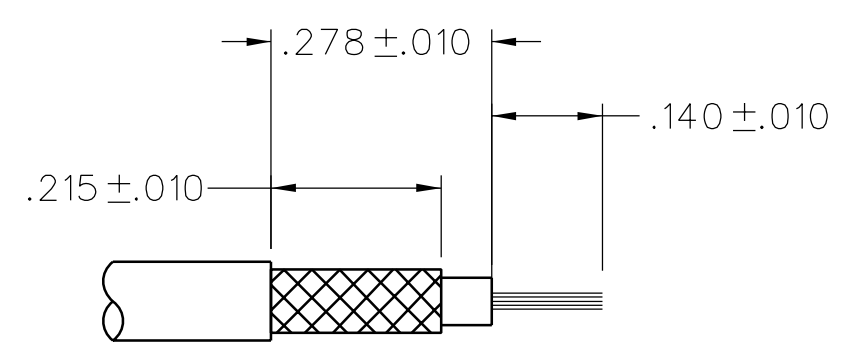
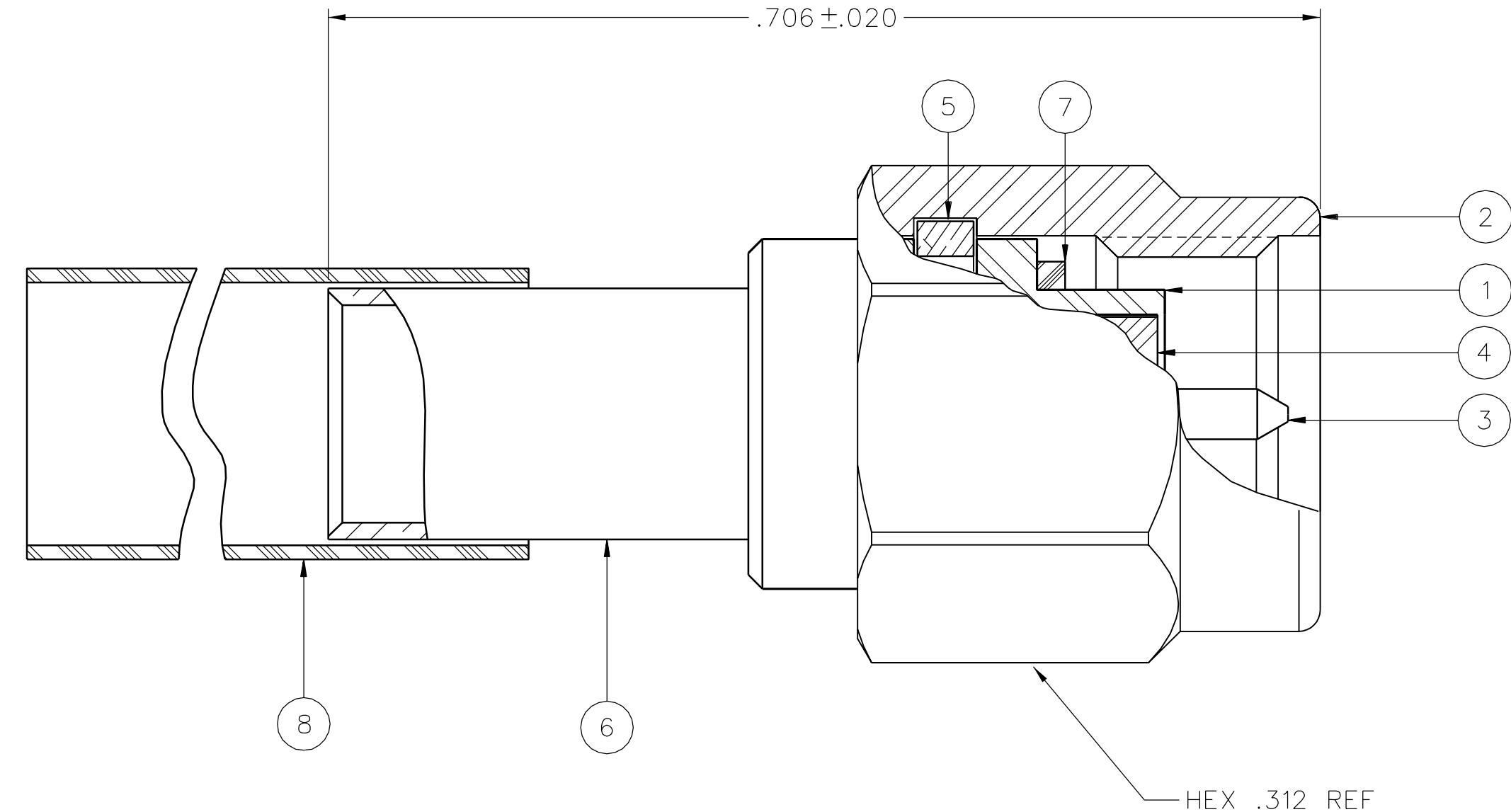
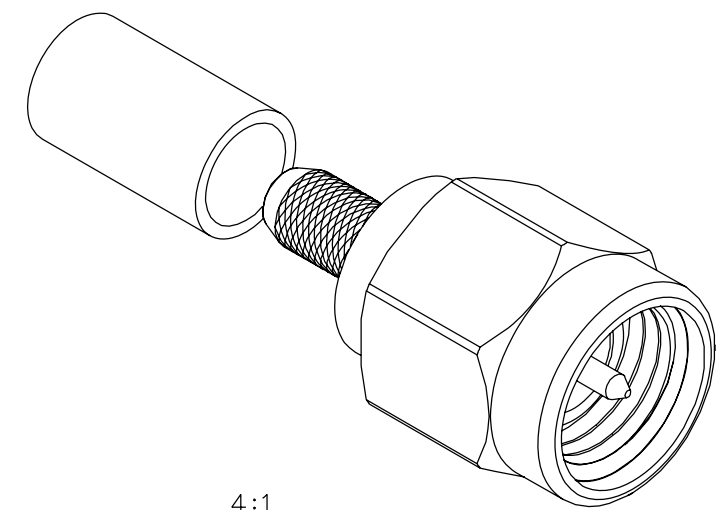


PART NUMBER	ITEM ① BODY	ITEM ② NUT	ITEM ③	ITEM ④ INSULATOR	ITEM ⑤ RETENTION SPRING	ITEM ⑥ CRIMP SLEEVE	ITEM ⑦ GASKET	ITEM ⑧ HEAT SHRINK
141-0404-011	STAINLESS STEEL GOLD PL .00001 MIN OVER NICKEL PL .00005 MIN OVER	STAINLESS STEEL GOLD PL .00001 MIN OVER NICKEL PL .00005 MIN OVER	BRASS GOLD PL .00005 MIN OVER NICKEL PL .00005 MIN OVER COPPER PL .00005 MIN	TEFLON	BERYLLIUM COPPER UNPLATED	COPPER GOLD PL .00001 MIN OVER NICKEL PL .00005 MIN OVER COPPER PL .00005 MIN	SILICONE RUBBER	POLYOLEFIN COLOR: BLACK
141-0404-012	STAINLESS STEEL PASSIVATED	STAINLESS STEEL PASSIVATED	BRASS GOLD PL .00005 MIN OVER NICKEL PL .00005 MIN OVER COPPER PL .00005 MIN	TEFLON	BERYLLIUM COPPER UNPLATED	COPPER NICKEL PL .0001 MIN OVER COPPER PL .00005 MIN	SILICONE RUBBER	POLYOLEFIN COLOR: BLACK

DRAWING NO.  
C - 141-0404-011/020

0 REVISIONS	
ENGINEERING RELEASE	
1	5-26-92 R H T R H E 6-30-92 A K J B ECO 41042
ADDED: ITEM 8 HEAT SHRINK	
2	10-6-92 R H T R P A 10-29-92 A K J B H ECO 41314
VERSION UPDATE	
2a	9-14-94 R H J C N T A K J B P A H 9-27-94 ECN 42723
VERSION UPDATE	
***** * REVISION NUMBER FOLLOWED BY AN ALPHA * * CHARACTER INDICATES DRAWING CLARIFI- * * CATION OR PART NUMBER ADDITION ONLY. * *****	
2b	2-1-95 R H S T R J 9-27-94 W C A K B H ECN 43190
GRAPHICS & VERSION UPDATE	
3	12-9-05 P S R P D 4-18-06 A T B D J W ECN 50051
VERSION UPDATE	
***** * REVISION NUMBER FOLLOWED BY AN ALPHA * * CHARACTER INDICATES DRAWING CLARIFI- * * CATION OR PART NUMBER ADDITION ONLY. * *****	
3a	5-26-06 P S P D 6-20-06 A T B D W ECN 50465
UPDATED VIEWS	
4	10-22-08 P R R M J C 11-10-08 A T B T U N ECN 51710




CABLE STRIP DIMENSIONS  
4:1

NOTES:  
1. SPECIFICATIONS:  
IMPEDANCE: 50 OHMS  
FREQUENCY RANGE: 0-12.4 GHz  
VSWR: 1.15+.02 F MAX (F IN GHz)  
WORKING VOLTAGE: 250 VRMS MAX AT SEA LEVEL  
DIELECTRIC WITHSTANDING VOLTAGE: 750 VRMS MIN AT SEA LEVEL  
INSULATION RESISTANCE: 5000 MEGOHM MIN  
CONTACT RESISTANCE:  
CENTER CONTACT - INITIAL 3.0 MILLIOHM MAX, AFTER ENVIRONMENTAL 4.0 MILLIOHM MAX  
OUTER CONDUCTOR - INITIAL 2.0 MILLIOHM MAX AFTER ENVIRONMENTAL NOT APPLICABLE  
BODY TO CABLE - 0.5 MILLIOHM MAX (GOLD PLATED) 5.0 MILLIOHM MAX (PASSIVATED)  
CORONA LEVEL: 190 VOLTS MIN AT 70,000 FEET  
INSERTION LOSS: .06√FdB MAX (F IN GHz) AT 6 GHz  
RF LEAKAGE: -60 DB MIN AT 2.5 GHz  
RF HIGH POTENTIAL WITHSTANDING VOLTAGE: 500 VRMS MIN AT 4 AND 7 MHz

MECHANICAL:  
ENGAGE/DISENGAGE TORQUE: 2 IN-LBS MAX  
MATING TORQUE: 7-10 IN-LBS  
COUPLING PROOF TORQUE: 15 IN-LBS MIN  
COUPLING NUT RETENTION: 60 LBS MIN  
CONTACT RETENTION: 6 LBS MIN  
CABLE ACCEPTABILITY: RG 188/U DOUBLE SHIELDED  
RG 316/U DOUBLE SHIELDED  
CABLE HEX CRIMP SIZE: .151  
CONTACT CRIMP TOOL: MIL M22520/1-01  
CABLE RETENTION: 20 LBS MIN AXIAL FORCE  
DURABILITY: 500 CYCLES MIN

ENVIRONMENTAL:  
(MEETS OR EXCEEDS THE APPLICABLE PARAGRAPH OF MIL-PRF-39012)  
THERMAL SHOCK: MIL-STD-202, METHOD 107, CONDITION B, EXCEPT 85°C HIGH TEMP  
OPERATING TEMPERATURE: -65°C TO 165°C  
CORROSION: MIL-STD-202, METHOD 101, CONDITION B  
SHOCK: MIL-STD-202, METHOD 213, CONDITION I  
VIBRATION: MIL-STD-202, METHOD 204, CONDITION D  
MOISTURE RESISTANCE: MIL-STD-202, METHOD 106

CUSTOMER DRAWING  
THIS DRAWING TO BE INTERPRETED PER ASME Y 14.5M - 1994  
"μ STATION"  
COMPANY CONFIDENTIAL

TOLERANCE UNLESS OTHERWISE SPECIFIED	DRAWN BY TAK	DATE 4-10-92	 <b>Cinch</b> CONNECTIVITY SOLUTIONS a bel group	Cinch Connectivity Solutions P.O. Box 1732 Waseca, MN 56093 1-800-247-8256
DECIMALS _____ mm _____	CHECKED BY	DATE		TITLE PLUG ASSEMBLY, STRAIGHT CABLED SMA, DOUBLE SHIELDED RG 316
.XX _____	APPROVED BY RJB/TAK	DATE 6-25-92	SHEET 2 OF 2	DRAWING NO. C - 141-0404-011/020
.XXX _____	RELEASE DATE 6-30-92	SCALE 10:1		
MATL _____	U/M INCH			
FINISH _____				