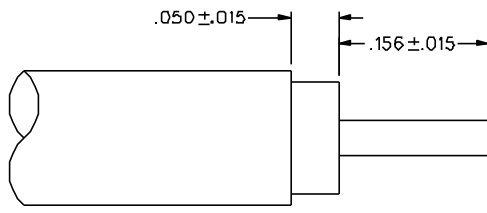
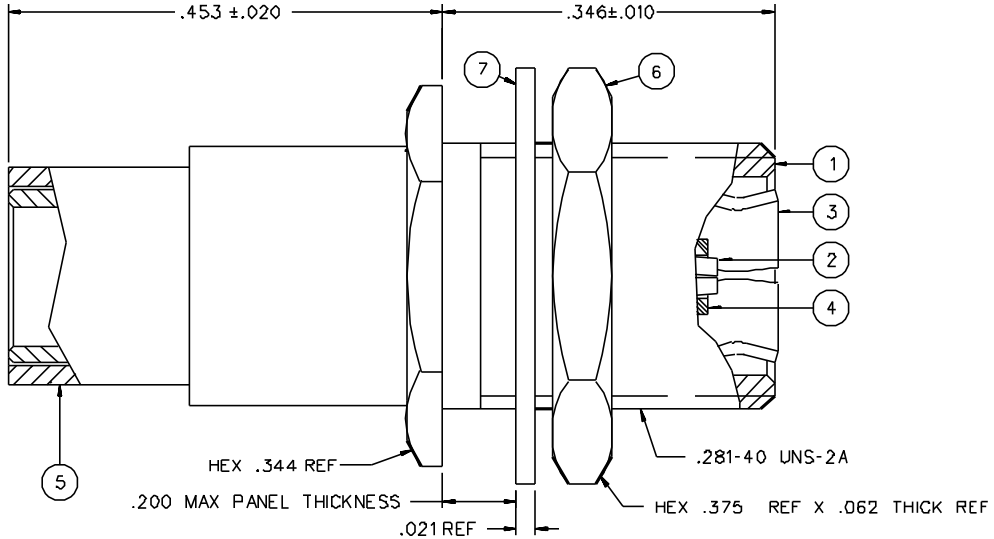
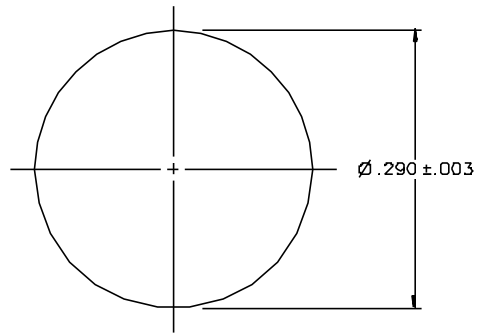


PART NUMBER	ITEM ① BODY	ITEM ② CONTACT	ITEM ③ INTERFACE	ITEM ④ INSULATOR	ITEM ⑤ SOLDER SLEEVE	ITEM ⑥ MOUNTING NUT	ITEM ⑦ LOCKWASHER
131-3694-401	BRASS GOLD PL .00001 MIN OVER NICKEL PL .00005 MIN OVER COPPER PL .00005 MIN	BERYLLIUM COPPER GOLD PL .00003 MIN OVER NICKEL PL .00005 MIN OVER COPPER PL .00005 MIN	BERYLLIUM COPPER GOLD PL .00003 MIN OVER NICKEL PL .00005 MIN OVER COPPER PL .00005 MIN	TEFLON	COPPER GOLD PL .00001 MIN OVER NICKEL PL .00005 MIN OVER COPPER PL .00005 MIN	BRASS GOLD PL .00001 MIN OVER NICKEL PL .00005 MIN OVER COPPER PL .00005 MIN	PHOSPHOR BRONZE GOLD PL .00001 MIN OVER NICKEL PL .00005 MIN OVER COPPER PL .00005 MIN
131-3694-406	BRASS NICKEL PL .0001 MIN OVER COPPER PL .00005 MIN	BERYLLIUM COPPER GOLD PL .00003 MIN OVER NICKEL PL .00005 MIN OVER COPPER PL .00005 MIN	BERYLLIUM COPPER GOLD PL .00003 MIN OVER NICKEL PL .00005 MIN OVER COPPER PL .00005 MIN	TEFLON	COPPER NICKEL PL .0001 MIN OVER COPPER PL .00005 MIN	BRASS NICKEL PL .0001 MIN OVER COPPER PL .00005 MIN	PHOSPHOR BRONZE NICKEL PL .00005 MIN OVER COPPER PL .00005 MIN

DRAWING NO.  
C - 131-3694-401/410  
0 REVISIONS  
ENGINEERING RELEASE  
1 5-26-98 R H I ECN 45592



CABLE STRIP DIMENSIONS



RECOMMENDED MOUNTING HOLE

NOTES:  
1. SPECIFICATIONS:  
IMPEDANCE: 50 OHMS  
FREQUENCY RANGE: 0-4 GHZ  
VSWR: 1.25-.04 F (F IN GHZ) (50 OHM CABLE ONLY)  
WORKING VOLTAGE: 335 VRMS MAX AT SEA LEVEL  
DIELECTRIC WITHSTANDING VOLTAGE: 1000 VRMS MIN AT SEA LEVEL  
INSULATION RESISTANCE: 1000 MEGOHM MIN  
CONTACT RESISTANCE:  
CENTER CONTACT - INITIAL 6 MILLIOHM MAX, AFTER ENVIRONMENTAL 8 MILLIOHM MAX  
OUTER CONDUCTOR - GOLD PLATED INITIAL 1 MILLIOHM MAX, AFTER ENVIRONMENTAL 1.5 MILLIOHM MAX, NICKEL PLATED INITIAL 2.5 MILLIOHM MAX, AFTER ENVIRONMENTAL 3.5 MILLIOHM MAX  
BRAID TO BODY - GOLD PLATED INITIAL 1 MILLIOHM MAX, AFTER ENVIRONMENTAL NOT APPLICABLE, NICKEL PLATED INITIAL 2.5 MILLIOHM MAX, AFTER ENVIRONMENTAL NOT APPLICABLE  
CORONA LEVEL: 250 VOLTS MIN AT 70,000 FEET  
INSERTION LOSS: .30 DB MAX AT 1.5 GHZ (50 OHM CABLE ONLY)  
RF LEAKAGE: -55 DB MIN AT 2.5 GHZ (50 OHM CABLE ONLY)  
RF HIGH POTENTIAL WITHSTANDING VOLTAGE: 700 VRMS MIN AT 4 AND 7 MHZ  
MECHANICAL:  
ENGAGE/DISENGAGE FORCE: INITIAL 14 LBS MAX, AFTER DURABILITY 14 LBS MAX, ENGAGEMENT/2 LBS MIN DISENGAGEMENT  
MATING TORQUE: NOT APPLICABLE  
COUPLING PROOF TORQUE: NOT APPLICABLE  
COUPLING NUT RETENTION: NOT APPLICABLE  
CONTACT RETENTION: 4 LBS MIN AXIAL FORCE  
CABLE ACCEPTABILITY: RG 402, .141 SEMI-RIGID, .141 CONFORMABLE  
CABLE HEX CRIMP SIZE: NOT APPLICABLE  
CABLE RETENTION: 55 IN-OZ MIN TORQUE, 60 LBS MIN AXIAL FORCE  
DURABILITY: 500 CYCLES MIN  
ENVIRONMENTAL:  
(MEETS OR EXCEEDS THE APPLICABLE PARAGRAPH OF MIL-C-39012)  
THERMAL SHOCK: MIL-STD-202, METHOD 107, CONDITION B  
OPERATING TEMPERATURE: -65 DEG C TO 165 DEG C  
CORROSION: MIL-STD-202, METHOD 101, CONDITION B  
SHOCK: MIL-STD-202, METHOD 213, CONDITION B  
VIBRATION: MIL-STD-202, METHOD 204, CONDITION B

CUSTOMER DRAWING  
THIS DRAWING TO BE INTERPRETED PER ANSI Y 14.5M - 1982  
"µSTATION"  
COMPANY CONFIDENTIAL

TOLERANCE UNLESS OTHERWISE SPECIFIED	DRAWN BY RJB	DATE 4-30-98	 Cinch Connectivity Solutions 299 Johnson Ave. Ste. 100 Waseca, MN 56093 1-800-247-8256	
DECIMALS .XX	CHECKED BY	DATE	TITLE PLUG ASSEMBLY, STRAIGHT CABLED BULKHEAD, SMB, 50 OHM, RG 402	
.XXX	APPROVED BY RJB	DATE 5-26-98		
MATL	APPROVED BY	DATE	CODE NO.	DRAWING NO. C - 131-3694-401/410
FINISH	RELEASE DATE		SCALE 10:1	U/M INCH SHEET 2 OF 2