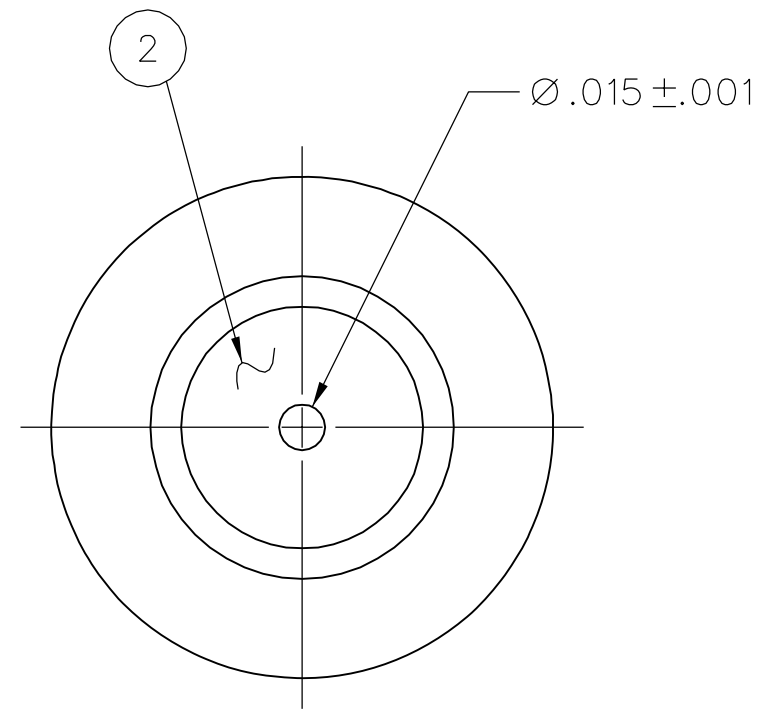
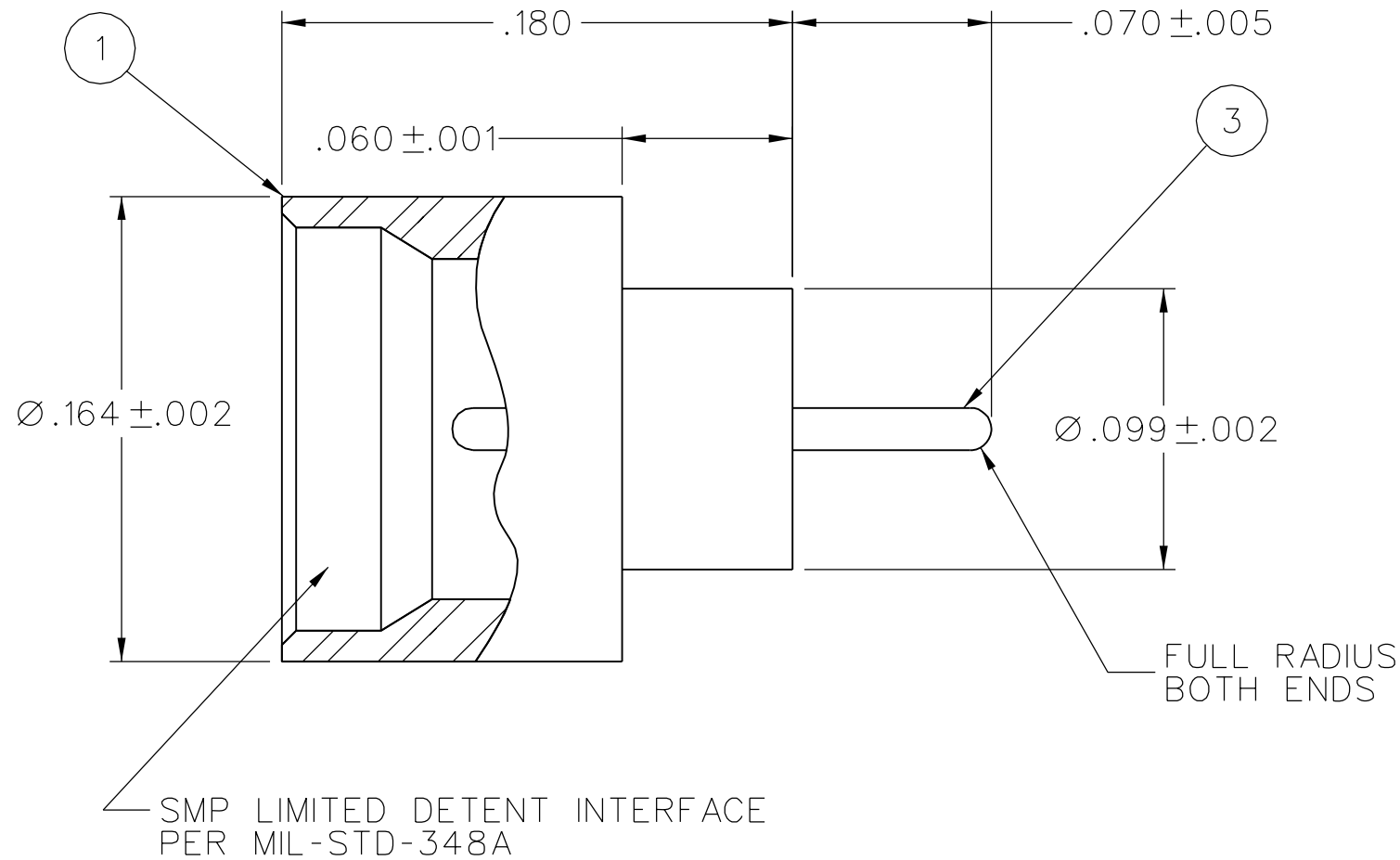


PART NUMBER	ITEM ① SHROUD BODY	ITEM ② INSULATOR	ITEM ③ PIN
127-1711-601	KOVAR GOLD PL .00005 MIN OVER NICKEL PL	GLASS, CORNING 7070 OR EQUIVALENT	KOVAR GOLD PL .00005 MIN OVER NICKEL PL

DRAWING NO. B-127-1711-601/610	
0	REVISIONS
ENGINEERING RELEASE	
1	1-4-07 PAT JRK JCN 1-18-07 ECN 50861



CUSTOMER DRAWING

THIS DRAWING TO BE INTERPRETED
PER ASME Y 14.5M - 1994

"μSTATION"

COMPANY CONFIDENTIAL

NOTES:

1. SPECIFICATIONS:

ELECTRICAL:

IMPEDANCE: 50 OHMS NOMINAL
FREQUENCY RANGE: DC TO 18 GHZ
VSWR: DEPENDANT ON APPLICATION

ENVIRONMENTAL:

HERMETICITY: 1×10^{-8} cc/sec AT ONE ATMOSPHERE
SOLDERABILITY: MEETS REQUIREMENTS OF MIL-STD-202G, TEST METHOD 208H.
OPERATING TEMPERATURE: -55 DEG C TO +165 DEG C

TOLERANCE UNLESS OTHERWISE SPECIFIED		DRAWN BY PAT	DATE 11-21-06
DECIMALS	mm	CHECKED BY JRK	DATE 1-18-07
.XX	_____	APPROVED BY JCN	DATE 1-18-07
.XXX ±.003	_____	RELEASE DATE	1-18-07
MATL	_____	U/M	INCH
FINISH	_____	SCALE	15:1



Cinch Connectivity Solutions
P.O. Box 1732
Waseca, MN 56093
1-800-247-8256

TITLE
SMP LIMITED DETENT
STRAIGHT FEEDTHRU SHROUD
HERMETIC SEALED PIN CONTACT

SHEET 2 OF 2
DRAWING NO. B-127-1711-601/610