

PART NUMBER
142-1701-421

REV	ECO	DATE
1	INITIAL RELEASE	08/12/2021

1. MATERIAL AND FINISH:

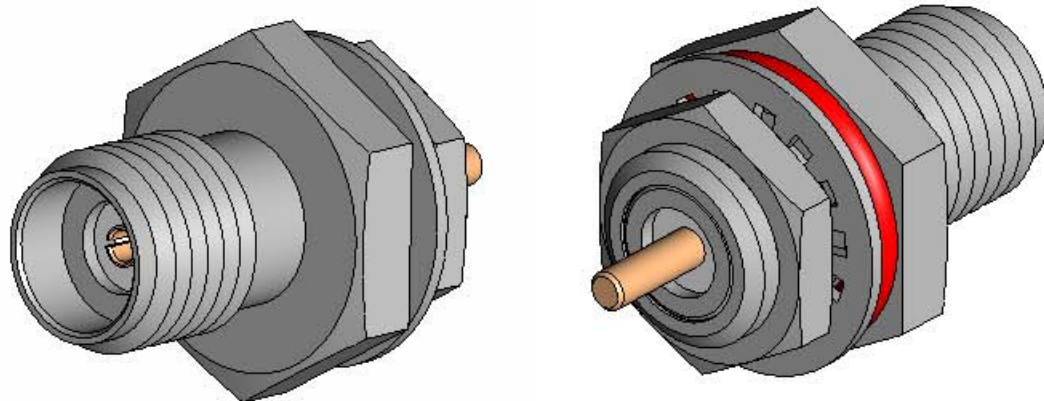
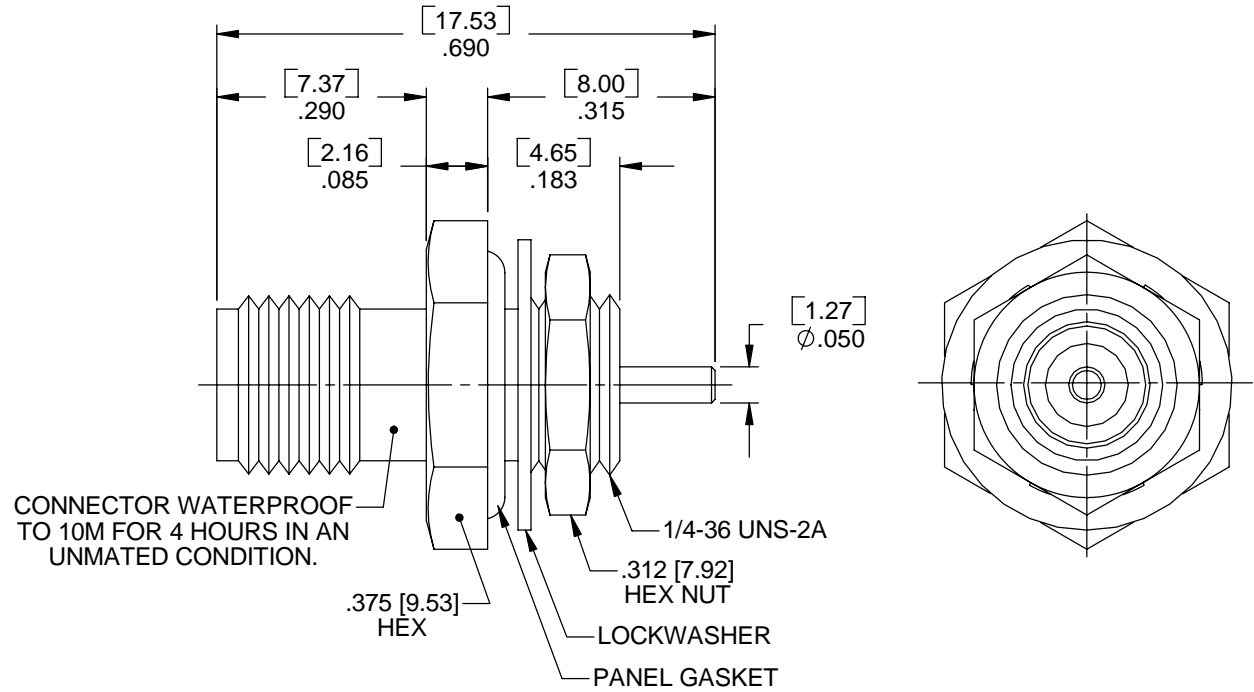
- 1.1 BODY: STAINLESS STEEL, PASSIVATED
- 1.2 CONTACT: BERYLLIUM COPPER, GOLD PLATE
- 1.3 INSULATOR: PTFE
- 1.4 O-RINGS: SILICONE RUBBER

2. ELECTRICAL SPECIFICATIONS:

- 2.1 IMPEDANCE: 50 OHMS NOMINAL
- 2.2 FREQUENCY RANGE: DC-18 GHZ
- 2.3 DIELECTRIC WITHSTANDING VOLTAGE: 1,500 VRMS
- 2.4 INSULATION RESISTANCE: 5,000 MEGOHMS

3. MECHANICAL SPECIFICATIONS:

- 3.1 CONNECTOR DURABILITY: 500 CYCLES MIN.
- 3.2 PANEL THICKNESS: .093 [2.4] MAX.
- 3.3 CONNECTOR MEETS: MIL-STD-348 FIG. 310-2, MIL-PRF-39012



<p>This PROPRIETARY Document is property of Cinch Connectivity Solutions. It is confidential in nature, non-transferable, and leased with the clear understanding that it is not traced or copied without permission and is returnable upon demand.</p> <p>INTERPRET DRAWING IN ACCORDANCE WITH ASME Y14.5-2009.</p>	Model No:	142-1701-421/430	JOHNSON		
	RoHS <input checked="" type="checkbox"/> (EU)/2015/863 COMPLIANT	Cage Code	Title: SMA BULKHEAD JACK POST CONTACT		
	UNLESS OTHERWISE SPECIFIED UNITS: INCH	3RD ANGLE PROJECTION	Drawing No.	142-1701-421/430	REV. 1
	Drawn by: TOMMY REN	Date: 08/12/2021	Size B	DO NOT SCALE DRAWING	Workmanship Std: NONE