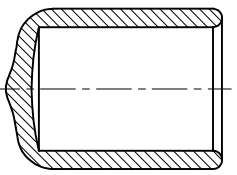
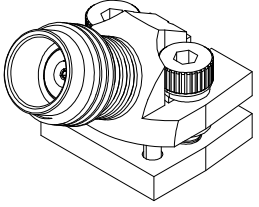
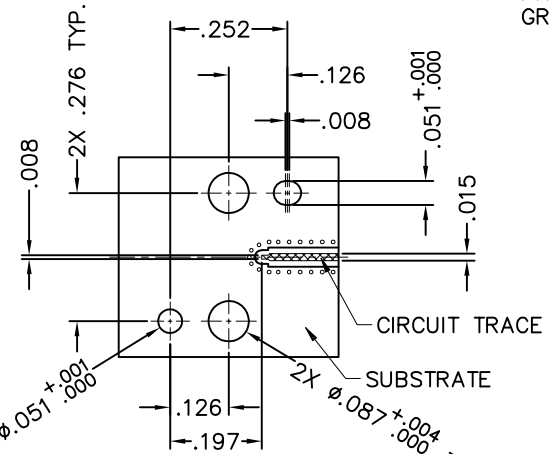
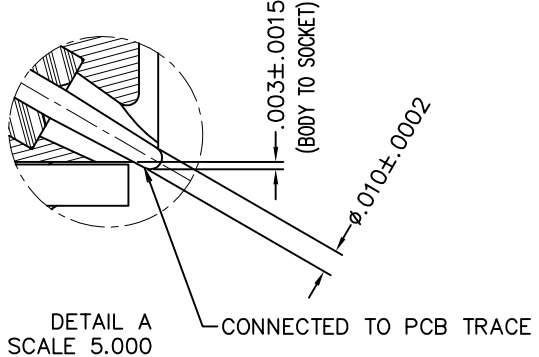
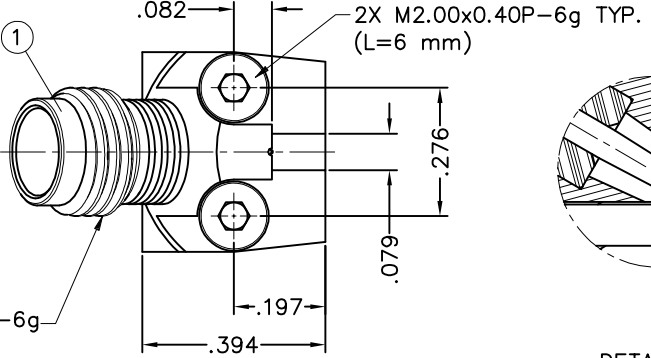


PART NUMBER	ITEM ①					ITEM ②	ITEM ③	ITEM ④	ITEM ⑤
	BODY	SOCKET	INSULATOR 1	INSULATOR 2	PROTECTION CAP	LOCKING BLOCK	SCREW	LOCKING WASHER	GASKET
148-0791-301	BRASS GOLD PLATING	BERYLLIUM COPPER GOLD PLATING	PCTFE	PTFE	SOFT PVC	BRASS GOLD PLATING	STAINLESS STEEL PASSIVATED	STAINLESS STEEL PASSIVATED	SILICON

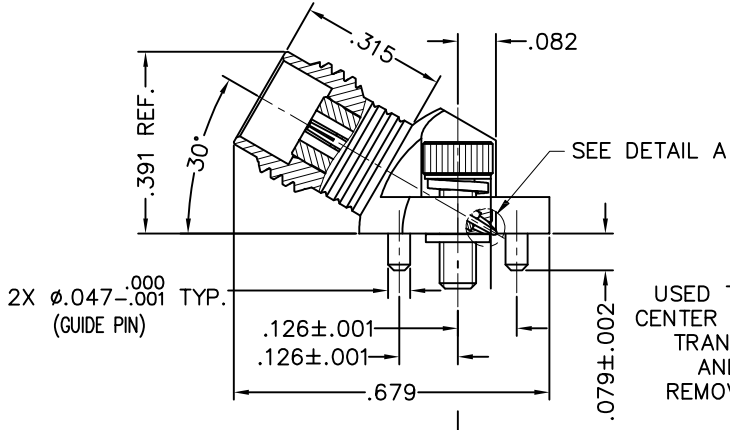
REV	ECO	DATE
1	INITIAL RELEASE	01/30/2023
2	ENGINEERING CHANGE	01/02/2024



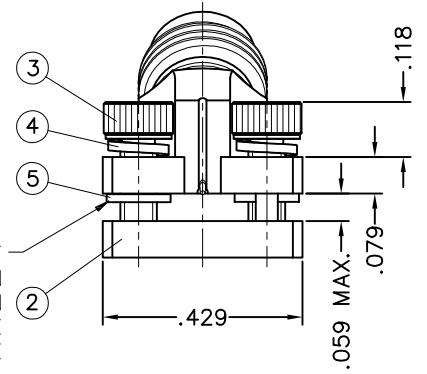
PROTECTION CAP  
GREEN COLOR



RECOMMENDED PCB LAYOUT



USED TO PROTECT  
CENTER CONTACT IN  
TRANSPORTATION  
AND SHALL BE  
REMOVED BEFORE  
USE.



SPECIFICATION:

- IMPEDANCE: 50 OHMS
- FREQUENCY RANGE: DC-67 GHz
- INSULATION RESISTANCE: 5000 MOHM MIN
- CONTACT RESISTANCE:  
  - CENTER CONTACT: 1.5 MILLIOHM MAX
  - OUTER CONTACT: 0.8 MILLIOHM MAX
- DIELECTRIC WITHSTANDING VOLTAGE: 500 VRMS MIN AT SEA LEVEL
- VOLTAGE STANDING WAVE RATION (VSWR): 1.35 MAX @ 67 GHz
- WORKING VOLTAGE: 400 VRMS MAX AT SEA LEVEL
- INERTION LOSS: 0.98 dB MAX @ 67 GHz
- DURABILITY: 500 CYCLES MIN
- TEMPERATURE RANGE: -55 TO +85 DEG C

<p>This PROPRIETARY Document is property of Cinch Connectivity Solutions. It is confidential in nature, non-transferable, and issued with the clear understanding that it is not to be traced or copied without permission and is returnable upon demand.</p> <p>INTERPRET DRAWING IN ACCORDANCE WITH ASME Y14.5-2018.</p>	Model No:	148-0791-301/310	JOHNSON			
	RoHS (EU)/2015/863 COMPLIANT	Cage Code	Title: 1.85mm JACK, SOLDERLESS PCB MOUNT, 30 DEGREE			
	UNLESS OTHERWISE SPECIFIED UNITS: INCH	3RD ANGLE PROJECTION	Drawing No.	148-0791-301/310	REV. 2	
	ANGLES ±2°	Drawn by: TOMMY REN	Date: 01/30/2023	Size B	DO NOT SCALE DRAWING	Workmanship Std: NONE