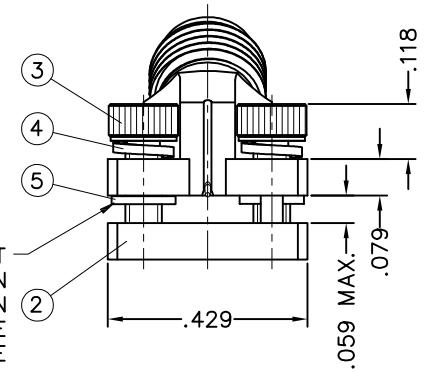
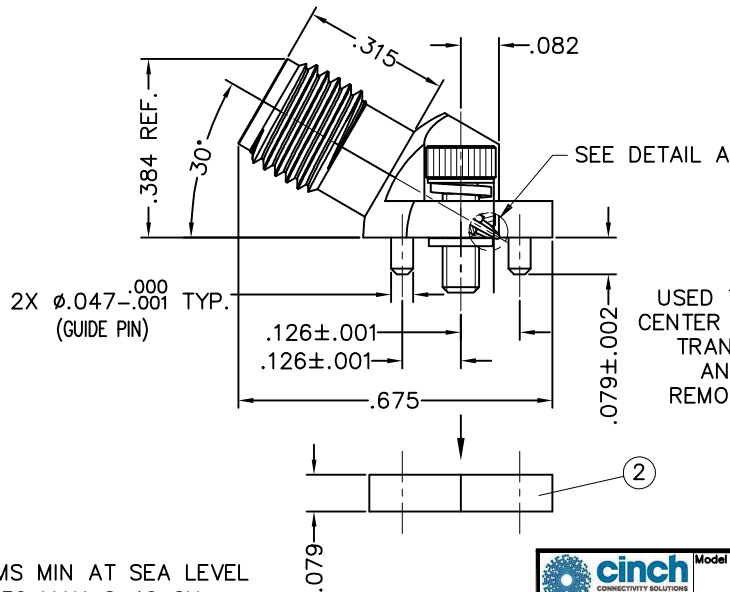
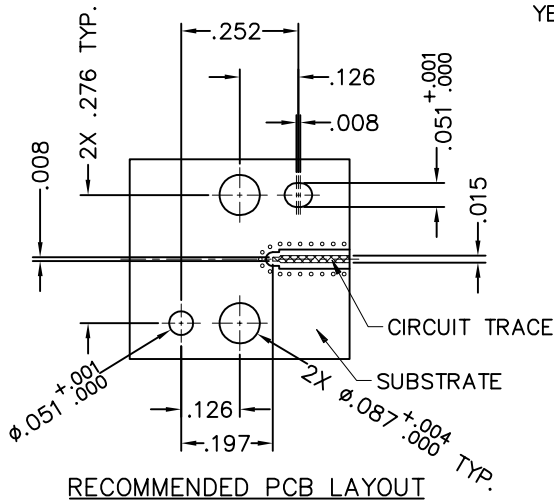
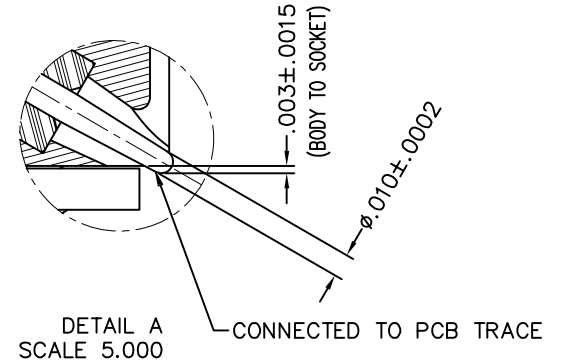
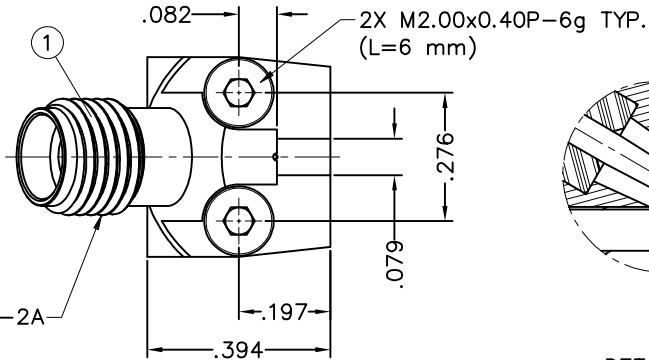
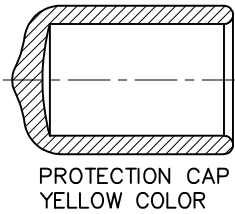
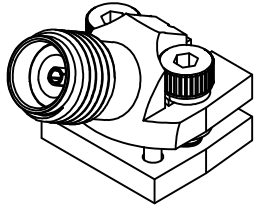


PART NUMBER	ITEM ①					ITEM ②	ITEM ③	ITEM ④	ITEM ⑤
	BODY	SOCKET	INSULATOR 1	INSULATOR 2	PROTECTION CAP	LOCKING BLOCK	SCREW	LOCKING WASHER	GASKET
145-0791-301	BRASS GOLD PLATING	BERYLLIUM COPPER GOLD PLATING	PCTFE	PTFE	SOFT PVC	BRASS GOLD PLATING	STAINLESS STEEL PASSIVATED	STAINLESS STEEL PASSIVATED	SILICON

REV	ECO	DATE
1	INITIAL RELEASE	01/30/2023
2	ENGINEERING CHANGE	01/02/2024



**SPECIFICATION:**

IMPEDANCE: 50 OHMS  
 FREQUENCY RANGE: DC-40 GHz  
 INSULATION RESISTANCE: 5000 MOHM MIN  
 CONTACT RESISTANCE:  
   CENTER CONTACT: 1.5 MILLIOHM MAX  
   OUTER CONTACT: 0.8 MILLIOHM MAX  
 DIELECTRIC WITHSTANDING VOLTAGE: 500 VRMS MIN AT SEA LEVEL  
 VOLTAGE STANDING WAVE RATION (VSWR): 1.30 MAX @ 40 GHz  
 WORKING VOLTAGE: 400 VRMS MAX AT SEA LEVEL  
 INERTION LOSS: 0.76 dB MAX @ 40 GHz  
 DURABILITY: 500 CYCLES MIN  
 TEMPERATURE RANGE: -55 TO +85 DEG C

<p>This PROPRIETARY Document is property of Cinch Connectivity Solutions. It is confidential in nature, non-transferable, and issued with the clear understanding that it is not to be traced or copied without permission and is returnable upon demand.</p> <p>INTERPRET DRAWING IN ACCORDANCE WITH ASME Y14.5-2018.</p>	Model No: 145-0791-301/310	JOHNSON		
	RoHS (EU) 2015/863 COMPLIANT	Cage Code	Title: 2.92mm JACK, SOLDERLESS PCB MOUNT, 30 DEGREE	
	UNLESS OTHERWISE SPECIFIED UNITS: INCH	3RD ANGLE PROJECTION	Drawing No. 145-0791-301/310	REV. 2
	ANGLES ±2°	Drawn by: TOMMY REN Date: 01/30/2023	Size B DO NOT SCALE DRAWING	Workmanship Std: NONE Sheet 1 OF 1