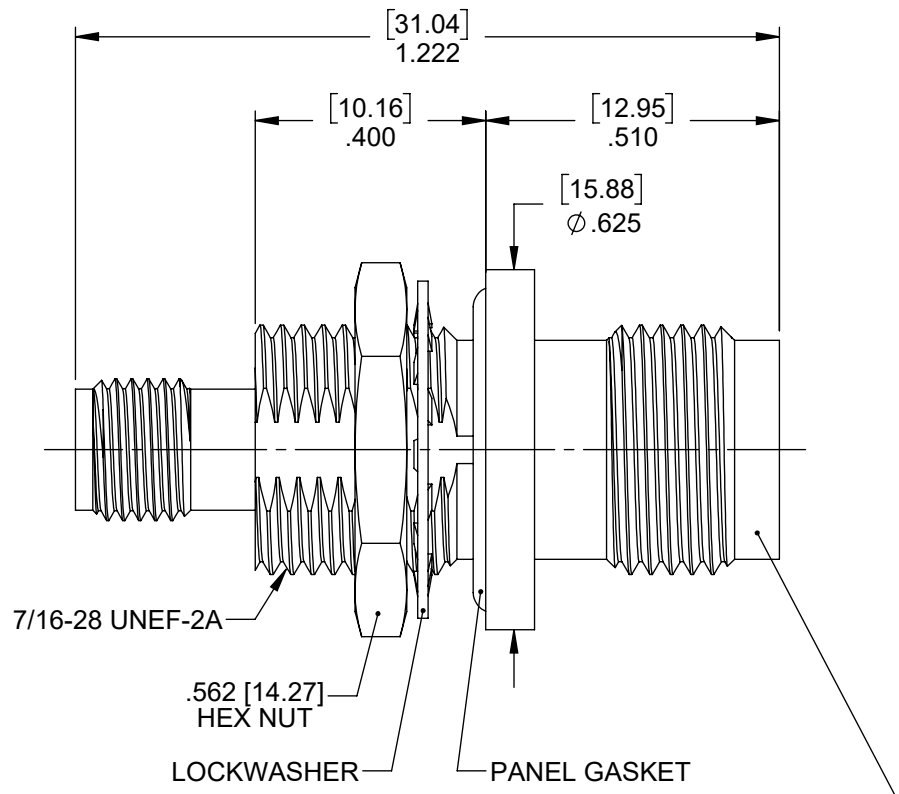
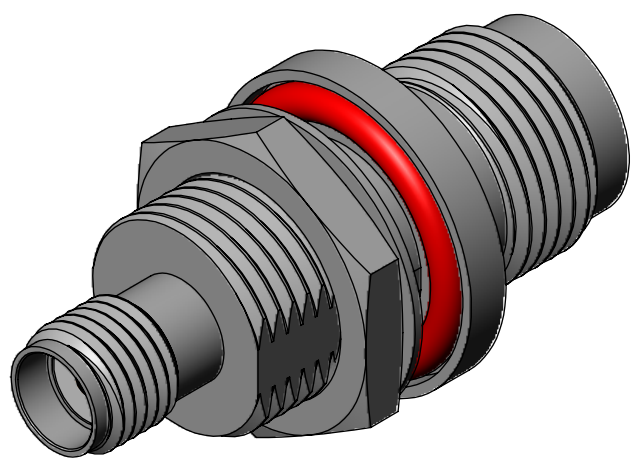
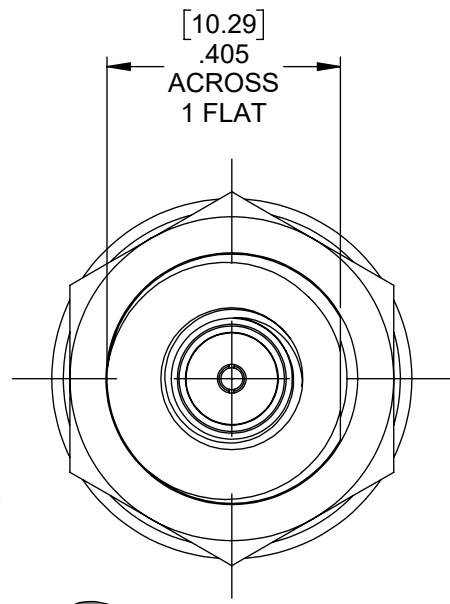


PART NUMBER
134-1001-461

REV	ECO	DATE
1	INITIAL RELEASE	12/03/2021

1. MATERIAL AND FINISH:
 - 1.1 BODY: STAINLESS STEEL, PASSIVATED
 - 1.2 CONTACT: BERYLLIUM COPPER, GOLD PLATE
 - 1.3 INSULATOR: PTFE
 - 1.4 O-RINGS: SILICONE RUBBER
2. ELECTRICAL SPECIFICATIONS:
 - 2.1 IMPEDANCE: 50 OHMS NOMINAL
 - 2.2 FREQUENCY RANGE: DC-11 GHZ
 - 2.3 INSULATION RESISTANCE: 5,000 MEGOHMS
3. MECHANICAL SPECIFICATIONS:
 - 3.1 CONNECTOR DURABILITY: 500 CYCLES MIN.
 - 3.2 PANEL THICKNESS: .250 [6.4] MAX.
 - 3.3 CONNECTOR MEETS: MIL-STD-348, MIL-PRF-39012



CONNECTOR WATERPROOF —
TO 10M FOR 4 HOURS IN AN
UNMATED CONDITION PER IP68

<p>This PROPRIETARY Document is property of Cinch Connectivity Solutions. It is confidential in nature, non-transferable, and leased with the clear understanding that it is not traced or copied without permission and is returnable upon demand.</p> <p>INTERPRET DRAWING IN ACCORDANCE WITH ASME Y14.5-2009.</p>	Model No:	134-1001-461/470	JOHNSON		
	RoHS <input checked="" type="checkbox"/> (EU)/2015/863 COMPLIANT	Cage Code	Title: TNC JACK TO SMA JACK BULKHEAD ADAPTER, IP68		
	UNLESS OTHERWISE SPECIFIED UNITS: INCH	3RD ANGLE PROJECTION	Drawing No.		
	.XXX ± .008 .XXXX ± .004 ANGLES ± 5°	Drawn by: TOMMY REN	134-1001-461/470		
Date: 12/03/2021	Size B	DO NOT SCALE DRAWING	Workmanship Std: NONE	Sheet 1 OF 1	