

PART NUMBER
134-1001-451

REV	ECO	DATE
1	INITIAL RELEASE	08/12/2021

1. MATERIAL AND FINISH:

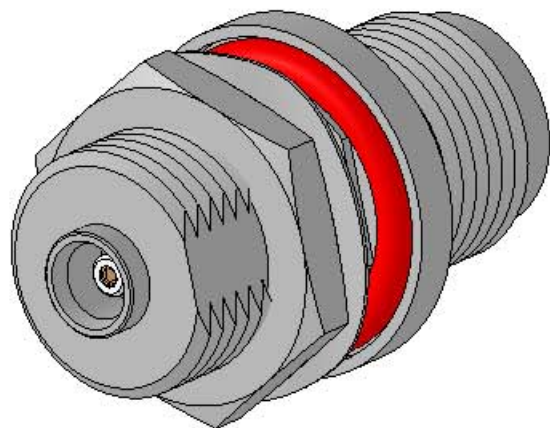
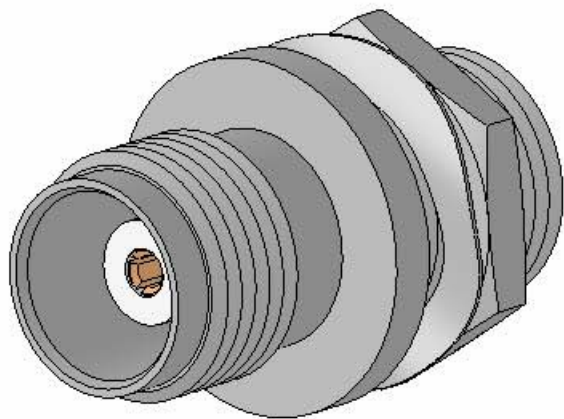
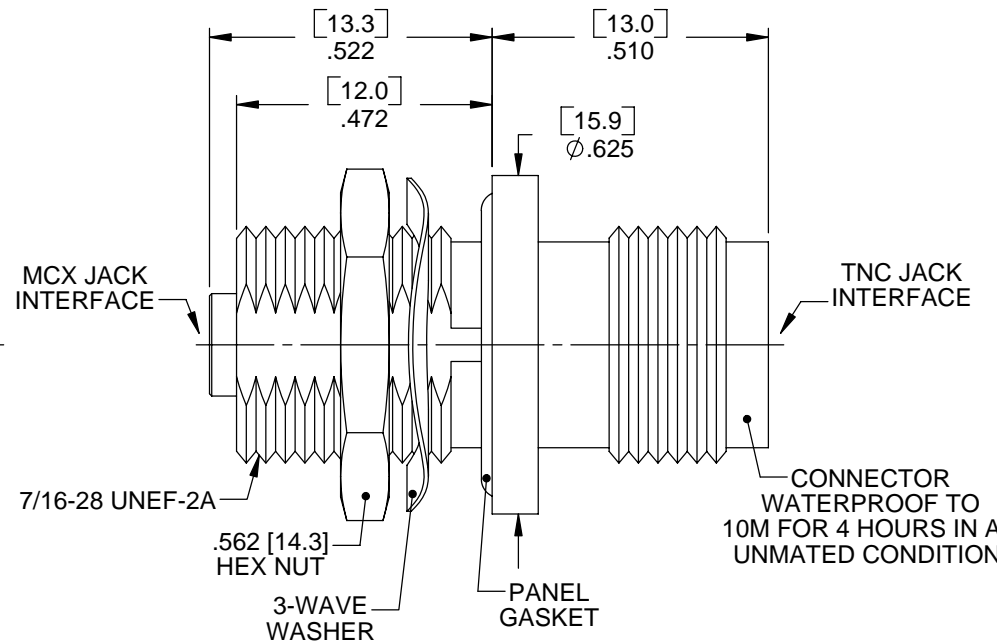
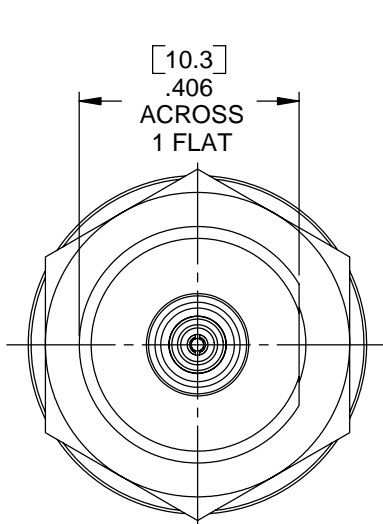
- 1.1 BODY: BRASS, NICKEL PLATE
- 1.2 CONTACT: BERYLLIUM COPPER, GOLD PLATE
- 1.3 INSULATOR: PTFE
- 1.4 O-RINGS: SILICONE RUBBER

2. ELECTRICAL SPECIFICATIONS:

- 2.1 IMPEDANCE: 50 OHMS NOMINAL
- 2.2 FREQUENCY RANGE: DC-6 GHZ
- 2.3 DIELECTRIC WITHSTANDING VOLTAGE: 1,000 VRMS
- 2.4 INSULATION RESISTANCE: 1,000 MEGOHMS
- 2.5 TEMPERATURE RATING: -65°C TO +165°C

3. MECHANICAL SPECIFICATIONS:

- 3.1 CONNECTOR DURABILITY: TNC 500 CYCLES MIN.
MCX 500 CYCLES MIN.
- 3.2 PANEL THICKNESS: .354 [9.0] MAX.
- 3.3 CONNECTOR MEETS: CECC 22 220, MIL-PRF-39012, MIL-STD-348



<p>This PROPRIETARY Document is property of Cinch Connectivity Solutions. It is confidential in nature, non-transferable, and leased with the clear understanding that it is not traced or copied without permission and is returnable upon demand.</p> <p>INTERPRET DRAWING IN ACCORDANCE WITH ASME Y14.5-2009.</p>	<p>Model No: 134-1001-451/460</p> <p>RoHS <input checked="" type="checkbox"/> (EU)/2015/863 COMPLIANT</p> <p>UNLESS OTHERWISE SPECIFIED UNITS: INCH</p> <p>.XXX ± .008</p> <p>.XXXX ± .004</p> <p>ANGLES ± 5°</p>	<p>Cage Code</p> <p>3RD ANGLE PROJECTION</p> <p>Drawn by: TOMMY REN</p> <p>Date: 08/12/2021</p>	<p>JOHNSON</p> <p>Title: TNC JACK TO MCX JACK BULKHEAD ADAPTER WITH HEX NUT</p> <p>Drawing No. 134-1001-451/460</p> <p>Size B DO NOT SCALE DRAWING</p> <p>Workmanship Std: NONE</p> <p>Sheet 1 OF 1</p>
--	---	---	---