

PART NUMBER	CABLE TYPE	ITEM ① BUSHING	ITEM ② FRAME	ITEM ③ BLADE	ITEM ④ CAP SCREW 4-40	ITEM ⑤ CAP SCREW 2-56	ITEM ⑥ L-KEY 3/32 HEX	ITEM ⑦ L-KEY 5/64 HEX
140-0000-975	RG-405 .086 OD SEMI-RIGID	140-0000-977 STEEL DRILL ROD HEAT TREATED 43-50 RC	140-0000-980 STEEL DRILL ROD HEAT TREATED 43-50 RC	140-0000-979 TOOL STEEL HEAT TREATED 57-60 RC	ALLOY STEEL BLACK OXIDE	ALLOY STEEL BLACK OXIDE	ALLOY STEEL BLACK OXIDE	ALLOY STEEL BLACK OXIDE
140-0000-976	RG-402 .141 OD SEMI-RIGID	140-0000-978 STEEL DRILL ROD HEAT TREATED 43-50 RC	140-0000-980 STEEL DRILL ROD HEAT TREATED 43-50 RC	140-0000-979 TOOL STEEL HEAT TREATED 57-60 RC	ALLOY STEEL BLACK OXIDE	ALLOY STEEL BLACK OXIDE	ALLOY STEEL BLACK OXIDE	ALLOY STEEL BLACK OXIDE

DRAWING NO. C-140-0000-975/976	
0	REVISIONS
ENGINEERING RELEASE	
1	12-1-04 JRK JCN TJS 9-22-05 ECN 49570

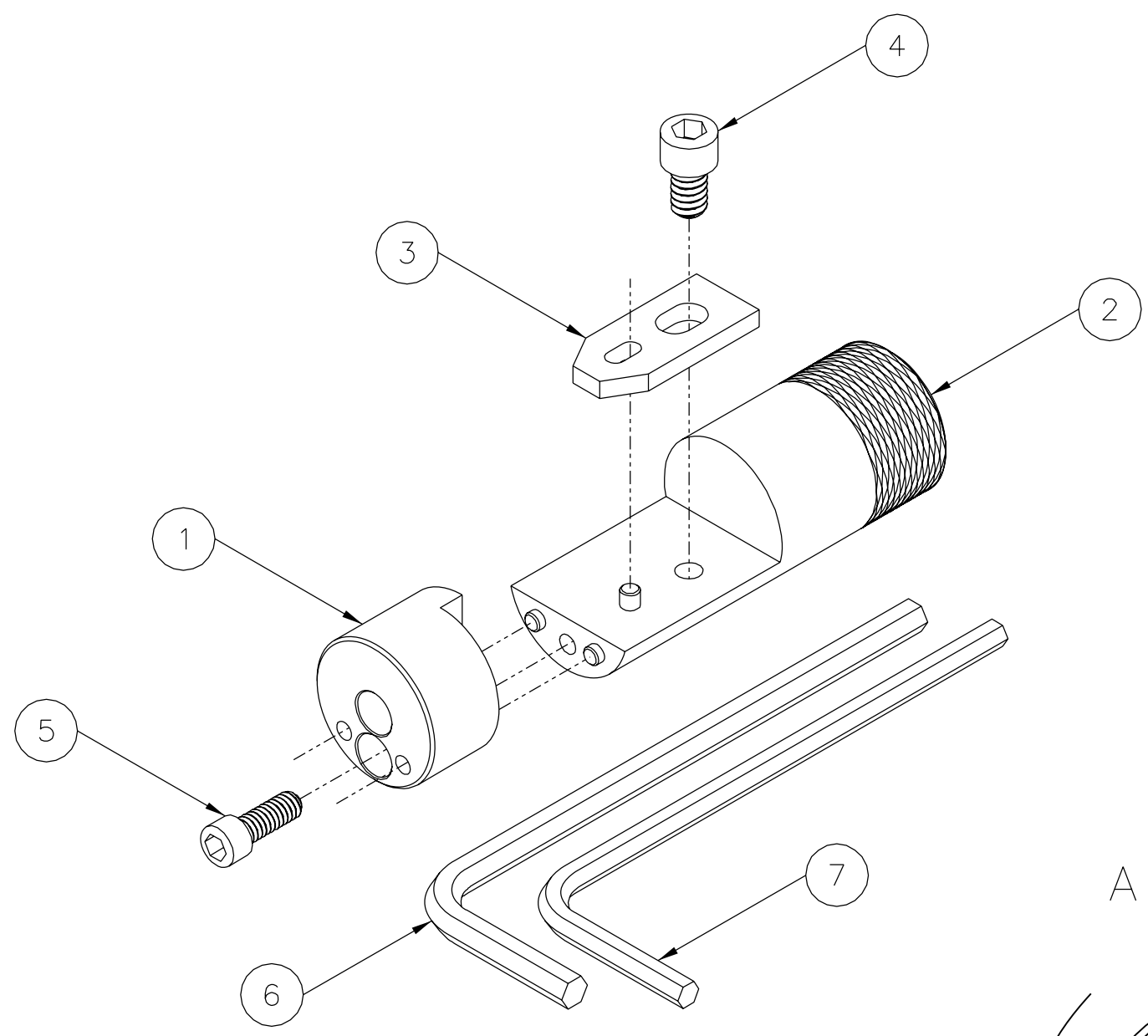


FIGURE 1  
2:1

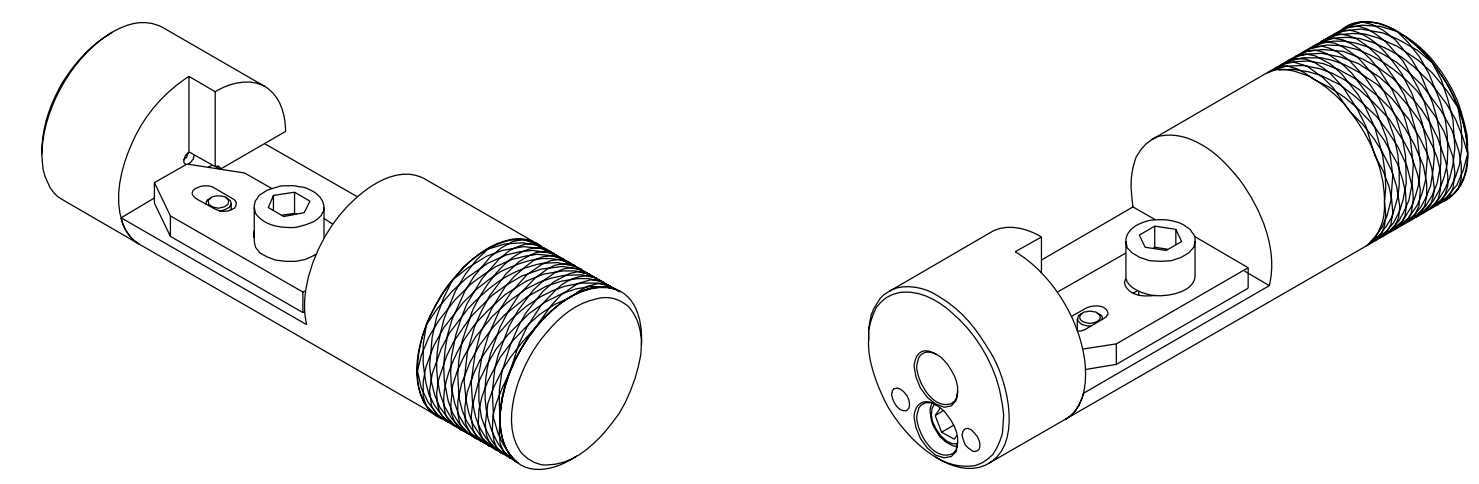
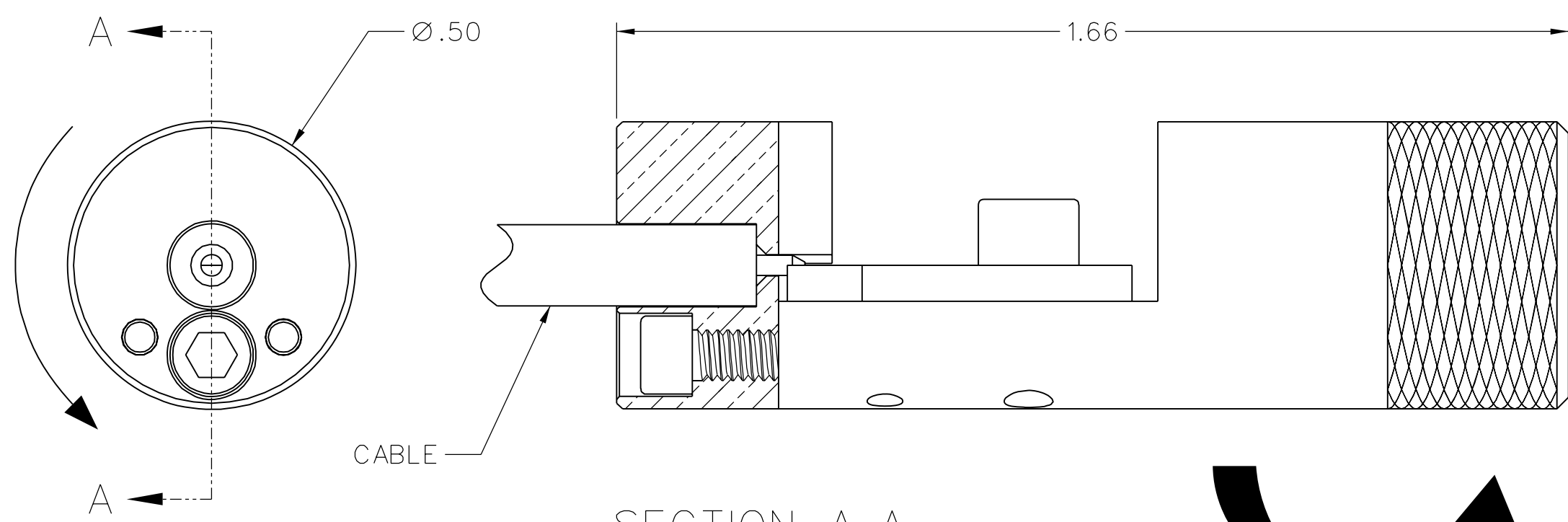


FIGURE 2  
2:1



SECTION A-A  
BUSHING ONLY


- NOTES:
- IDENTIFY ALL PIECE PARTS (7 ITEMS) PER FIGURE 1, AND REMOVE FROM PACKAGING.
  - ALIGN CABLE BUSHING (ITEM 1) WITH FRAME (ITEM 2) PINS AND SECURE IN PLACE WITH CAP SCREW (ITEM 5). HAND TIGHTEN WITH 5/64 HEX L-KEY ALLEN WRENCH (ITEM 7).
  - TOOL WILL STRIP EXPOSED CABLE CENTER CONDUCTORS RANGING FROM .070" TO .130". SLOTS IN BLADE (ITEM 3) ALLOW FOR POSITIONAL ADJUSTMENT. LOCATE BLADE FOR DESIRED POINTING PROFILE AND SECURE IN POSITION WITH CAP SCREW (ITEM 4). HAND TIGHTEN WITH 3/32 HEX L-KEY ALLEN WRENCH (ITEM 6). COMPLETED TOOL ASSEMBLY IS SHOWN IN FIGURE 2.
  - INSERT STRIPPED CABLE INTO BUSHING UNTIL CENTER CONDUCTOR TOUCHES BLADE. WHILE KEEPING LIGHT PRESSURE ON CABLE, TURN TOOL IN DIRECTION SHOWN UNTIL CABLE JACKET AND/OR INSULATION BOTTOMS AGAINST BUSHING SHOULDER, AS SHOWN IN SECTION A-A.
  - BLADE IS REVERSABLE, TURN OVER WHEN DULL TO EXPOSE A NEW CUTTING EDGE.
  - FRAME AND BLADE ARE UNIVERSAL, EXCHANGE BUSHINGS FOR DIFFERENT CABLE TYPES.

CUSTOMER DRAWING

THIS DRAWING TO BE INTERPRETED  
PER ASME Y 14.5M - 1994

"μSTATION"

COMPANY CONFIDENTIAL

TOLERANCE UNLESS OTHERWISE SPECIFIED		DRAWN BY JRK	DATE 11-17-04	 <b>Cinch</b> CONNECTIVITY SOLUTIONS a bel group	Cinch Connectivity Solutions P.O. Box 1732 Waseca, MN 56093 1-800-247-8256	
.XX REF	mm	CHECKED BY JCN	DATE 12-4-04		TITLE CENTER CONTACT POINTING TOOLS, SEMI-RIGID CABLE	
.XXX		APPROVED BY TJS	DATE 12-27-04	SHEET	DRAWING NO. C-140-0000-975/976	
MATL		RELEASE DATE	9-22-05			
FINISH						