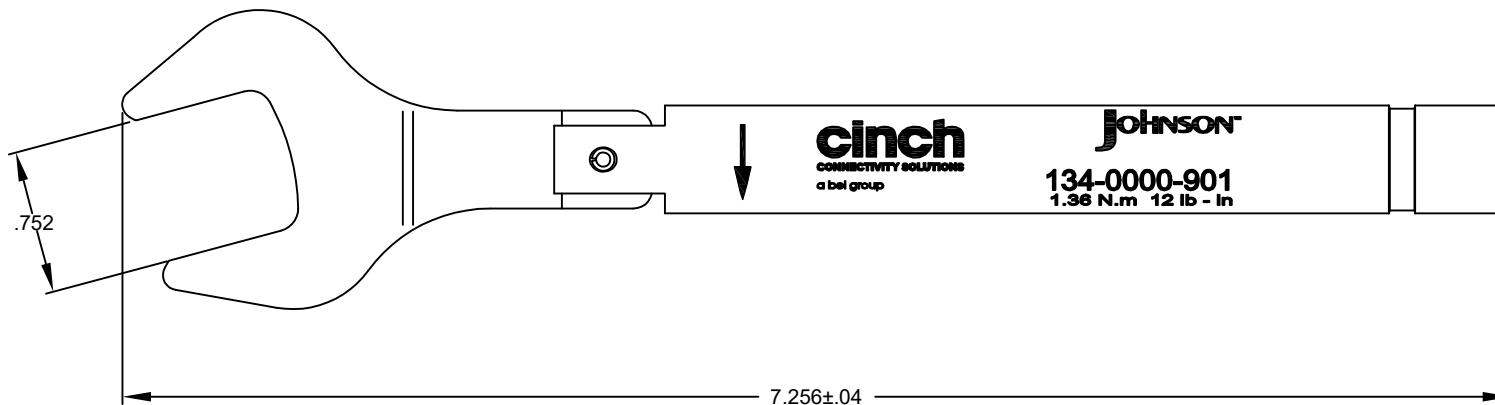


PART NUMBER

134-0000-901

REV	ECO	DATE
1	INITIAL RELEASE	02/15/2023



NOTES: UNLESS OTHERWISE SPECIFIED

1. MATERIAL & FINISH:

- 1.1 HANDLE: ALUMINUM, COLOR: RED
- 1.2 WRENCH : STAINLESS STEEL, PASSIVATED

2. MECHANICAL:

- 2.1 TORQUE SETTING: 12 LB-IN (1.36 N.M)
- 2.2 TORQUE ACCURACY: ±0.8 LB-IN (0.09 N.M)

<p>This PROPRIETARY Document is property of Cinch Connectivity Solutions It is confidential in nature, non-transferable, and issued with the clear understanding that it is not traced or copied without permission and is returnable upon demand.</p> <p>INTERPRET DRAWING IN ACCORDANCE WITH ASME Y14.5-2018.</p>	Model No:	134-0000-901	JOHNSON							
	RoHS <input checked="" type="checkbox"/> (EU)2015/863 COMPLIANT	Cage Code	Title: TORQUE WRENCH, 12 LB-IN FOR TYPE N (STAINLESS STEEL CONNECTORS) Drawing No. 134-0000-901 REV. 1							
	UNLESS OTHERWISE SPECIFIED UNITS: INCH	3RD ANGLE PROJECTION								
	.XX ±.04 .XXX ±.016 ANGLES ±5°	Drawn by: TOMMY REN	Date:	02/15/2023	Size	B	DO NOT SCALE DRAWING	Workmanship Std	NONE	Sheet