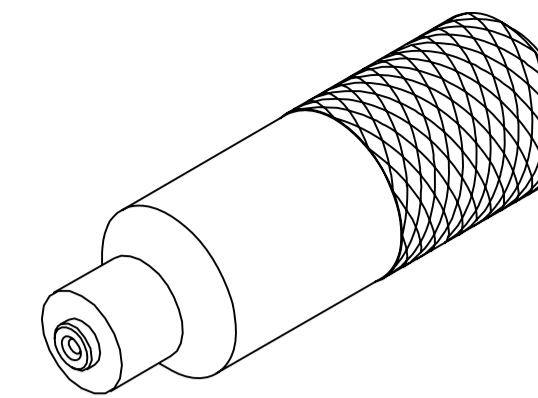
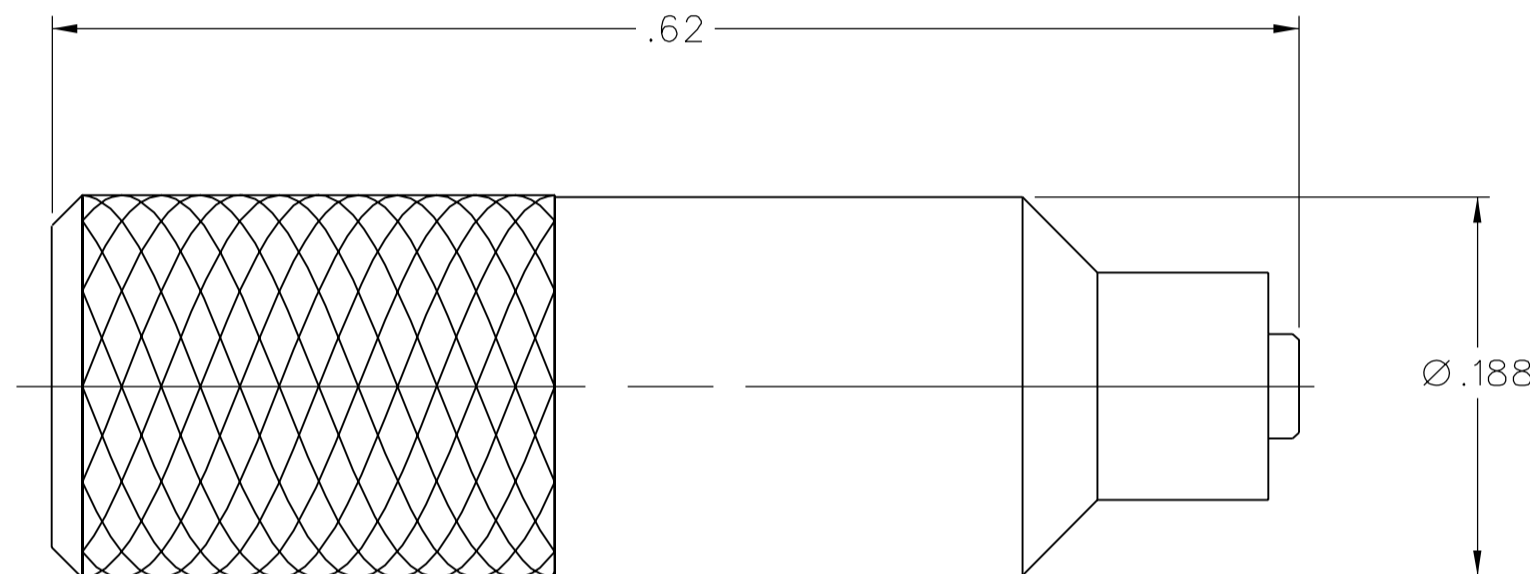


PART NUMBER	APPLICATION	MATERIAL
127-0000-905	FULL DETENT	STAINLESS STEEL PASSIVATED
127-0000-906	LIMITED DETENT	STAINLESS STEEL PASSIVATED
127-0000-907	SMOOTH BORE	STAINLESS STEEL PASSIVATED



5:1




DRAWING NO. C - 127-0000-905/907	
0	REVISIONS
ENGINEERING RELEASE	
1	5-29-07 PAT JRK MPD JCN 5-30-07 ECN 51053

CUSTOMER DRAWING

THIS DRAWING TO BE INTERPRETED
PER ASME Y 14.5M - 1994

"μSTATION"

COMPANY CONFIDENTIAL

TOLERANCE UNLESS OTHERWISE SPECIFIED		DRAWN BY PAT	DATE 4-16-07	 Cinch CONNECTIVITY SOLUTIONS a bel group	Cinch Connectivity Solutions P.O. Box 1732 Waseca, MN 56093 1-800-247-8256
DECIMALS	mm	CHECKED BY JRK	DATE 5-29-07		
.XX ±.01	_____	APPROVED BY PDW	DATE 5-29-07	TITLE SMP SHROUD ALIGNMENT TOOL	
.XXX ±.003	_____	RELEASE DATE	5-30-07		
MATL		U/M	INCH	SCALE	10:1
FINISH		SHEET 2 OF 2		DRAWING NO. C - 127-0000-905/907	