

TABLE 1

DASH NO	DESCRIPTION
-1	CAP (NO CHAIN)
-2	CAP WITH 2.5 BRASS CHAIN
-3	CAP WITH 2.5 NYLON CHAIN
-4	CAP WITH 3.0 BRASS CHAIN
-5	CAP WITH 3.0 NYLON CHAIN
-6	CAP WITH 6.0 BRASS CHAIN
-7	CAP WITH 6.0 NYLON CHAIN
-8	CAP WITH 4.0 BRASS CHAIN
-9	CAP WITH 4.0 NYLON CHAIN
-10	CAP WITH 10.0 BRASS CHAIN
-11	CAP WITH 10.0 NYLON CHAIN
-12	CAP WITH 2.5 SST ROPE
-13	CAP WITH 3.0 SST ROPE
-14	CAP WITH 6.0 SST ROPE
-15	CAP WITH 4.0 SST ROPE
-16	CAP WITH 7.0 SST ROPE
-17	CAP WITH 4.5 SST ROPE
-18	CAP WITH 12.0 SST ROPE

TABLE 2

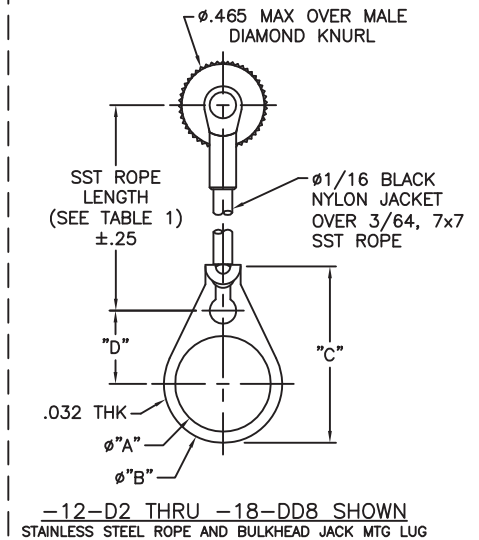
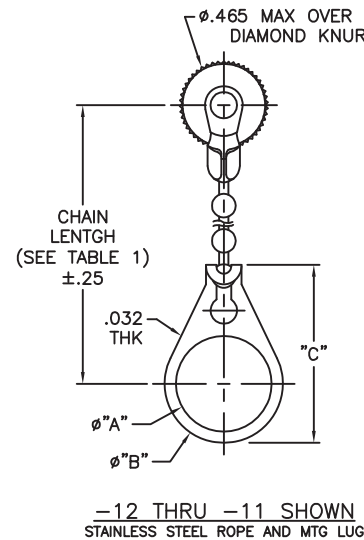
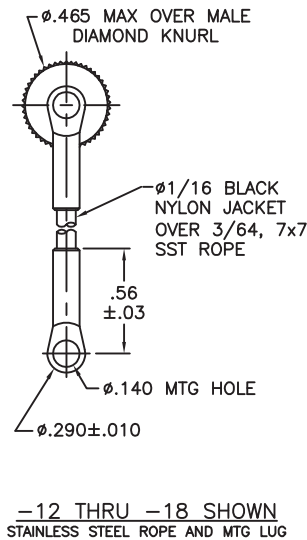
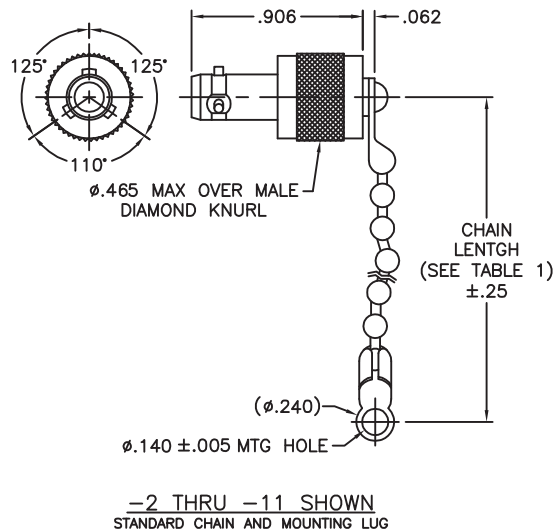
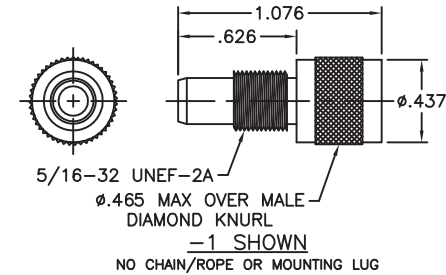
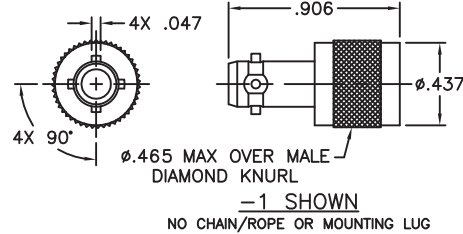
DASH NO	"A"	"B"	"C"	"D"
-D2	.630	.750	1.068	.450
-D3	.505	.625	.941	.388
-D4	.439	.562	.878	.356
-D5	.380	.500	.816	.325
-D6	.317	.437	.753	.294
-D7	.281	.406	.722	.278
-D8	.610	.750	1.066	.450
-D9	.567	.687	1.003	.419
-D10	.190	.310	.628	.231
-DD8	.330	.450	.766	.300

TABLE 3

MODEL NO.	LETTER CODE	TYPE
RF1457	A	3 LUG
RF1457FL	B	4 LUG
RF13457	C	THREADED

REVISIONS

REV	DESCRIPTION	DATE	APPROVED
B	ECO 11697	2/14/97	FQ
C	ECO 12912	6/4/99	JC
D	ECO 54900	2/27/14	P. KLYVE

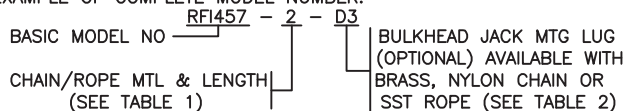


NOTES: UNLESS OTHERWISE SPECIFIED.

1. MATERIAL & FINISH:

- 1.1 BODY, END RING & MTG LUG: NICKEL PLATED BRASS
- 1.2 SST ROPE: BLACK NYLON OVER STAINLESS STEEL ROPE
- 1.3 CHAIN: NICKEL PLATED BRASS OR NYLON

2. EXAMPLE OF COMPLETE MODEL NUMBER:



3. NOTE THAT FOR SST ROPE WITH MTG LUG OPTION IS NOT MEASURED TO CENTER OF BULKHEAD MTG LUG.

UNLESS OTHERWISE SPECIFIED DIMENSIONS ARE IN INCHES TOLERANCES ARE:
 FRACTIONS .XX ± .01
 DECIMALS .XXX ± .010
 ANGLES ± 1'
 .XXX ± .010
 .XXXX ±



SIGNATURES		DATE		RF1457/457FL/RF13457	
DRN BY	C. WALLACE	3/28/14			
CHEK BY	P. KLYVE	3/27/14	SIZE	CAGE CODE	DWG NO.
APPR BY	P. KLYVE	3/27/14	C	14949	C_3-0276
APPROVED BY			SCALE	3:1	START DATE
					5/18/90
					SHEET 1 OF 1