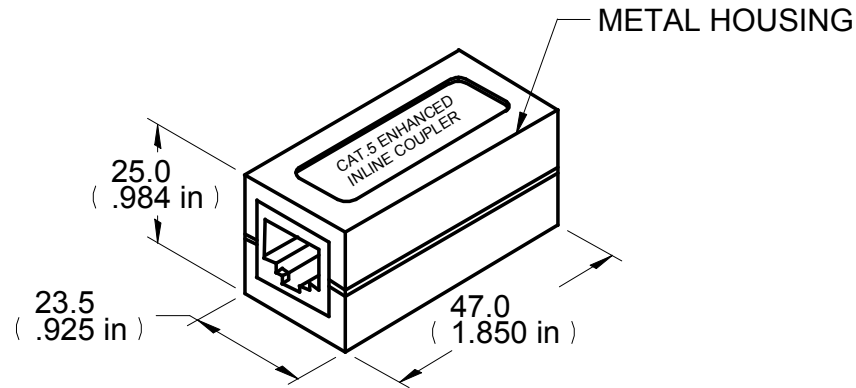



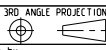
REV	ECO	DATE
1	INITIAL RELEASE	04/06/2021



DIM OUTLINE

DESCRIPTION: CAT5E INLINE COUPLER SHIELDED
PART NUMBER: 30-9242
APPLICATION: RJ45 MODULAR INLINE COUPLER
CRIMP TOOL: N/A
IMPEDANCE: N/A
FREQUENCY RANGE: N/A
TEMPERATURE RANGE: -40°C TO +70°C
MATERIALS: HOUSING: METAL, NICKEL PLATED
LABEL: WHITE
RoHS COMPLIANCE: YES
TECHNICAL DETAIL: N/A



 <p>This PROPRIETARY Document is property of Cinch Connectivity Solutions. It is confidential in nature, non-transferable, and issued with the clear understanding that it is not traced or copied without permission and is returnable upon demand.</p> <p>INTERPRET DRAWING IN ACCORDANCE WITH ASME Y14.5-2009.</p>	Model No:	30-9242	AIM-Cambridge		
	RoHS (EU)/2015/863 COMPLIANT <input checked="" type="checkbox"/>	Cage Code	-	Title:	
	UNLESS OTHERWISE SPECIFIED UNITS: MM	3RD ANGLE PROJECTION		Drawing No.	
	X ± 0.5 X.X ± 0.30 X.XX ± 0.10 ANGLES ± 0.5°	Drawn by:	TOMMY REN	30-9242	REV. 1
	Date:	04/06/2021	Size A	DO NOT SCALE DRAWING	Workmanship Std Sheet 1 OF 1