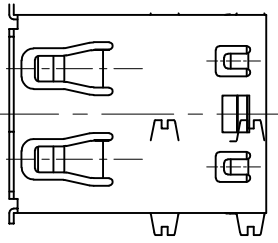


DATE	REV	ECN	APP'D. BY
8/29/2017	A0	-	DHG

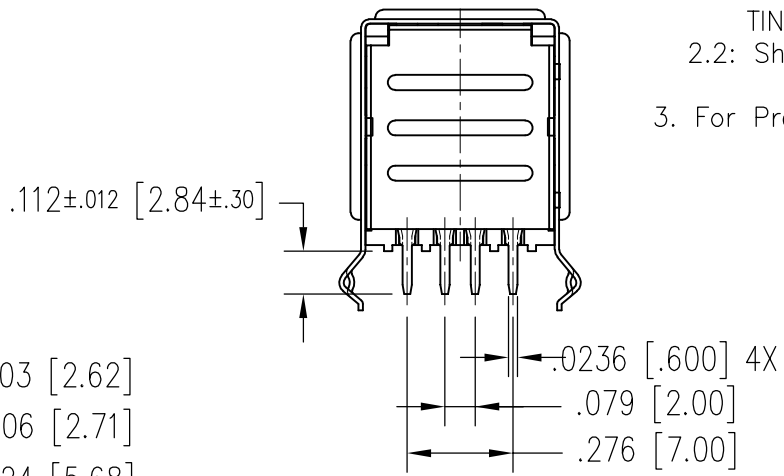
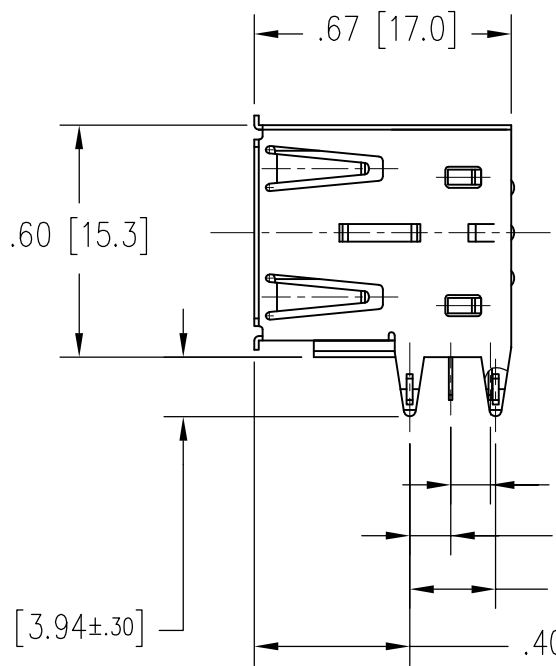
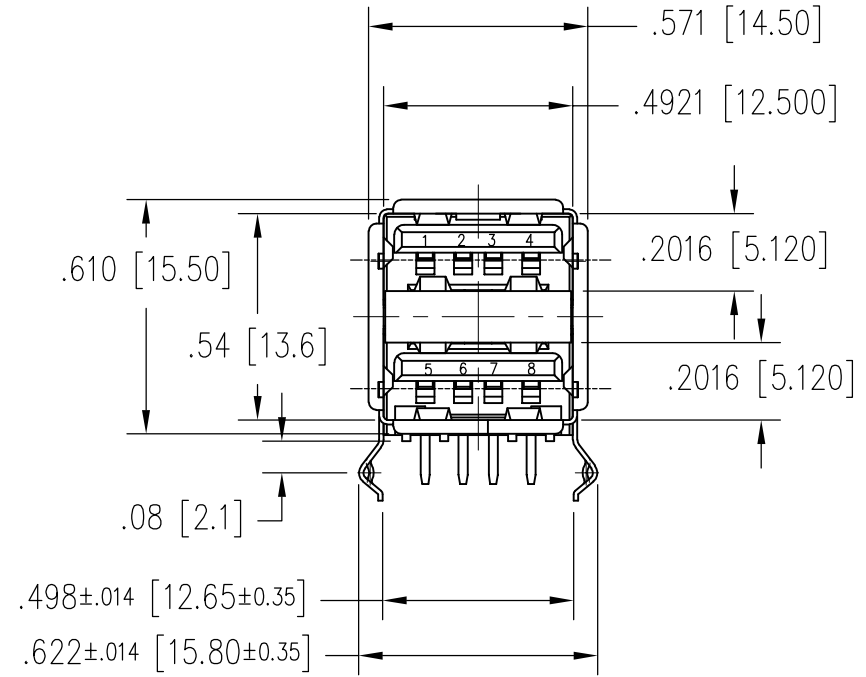


NOTE:

- Material
 - Hsg: High Temperature Plastic; UL94V-0; Color: Black
 - Contact: Copper Alloy,
 - Shell: Copper Alloy
- Finish:
 - Contct: Nickel Plated; Au Plating On Contact Area See Chart for Part Number; TIN On Solder Tail.
 - Shell: Nickel Plating.
- For Product specifications See PR44-01

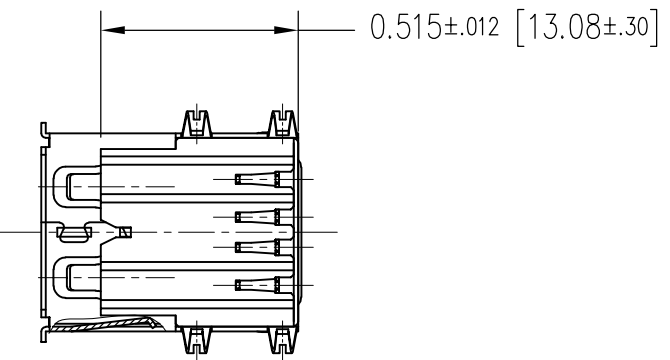
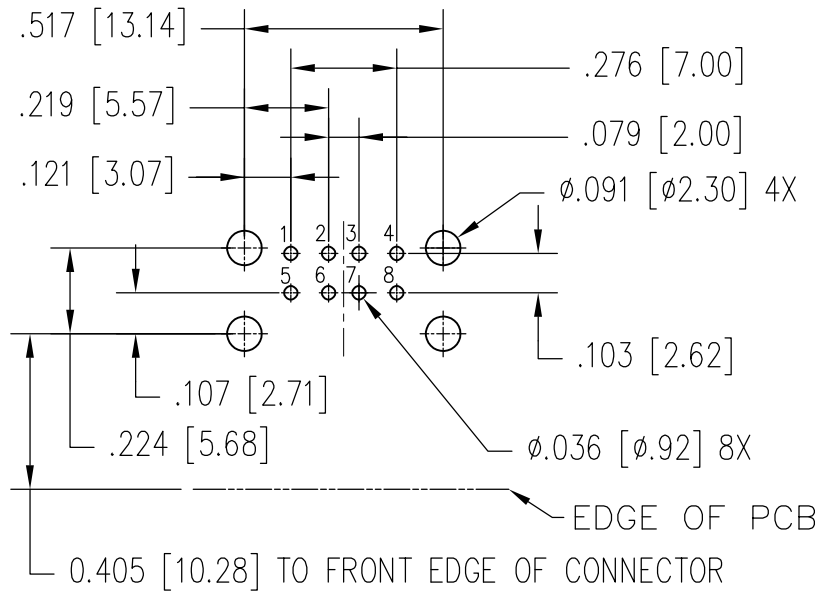
B

B



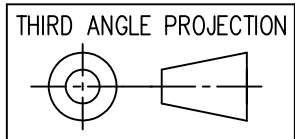
A

A



RECOMMENDED P.C.B HOLE LAYOUT
TOP VIEW (TOLERANCE: ±.004 [±0.10])

30 MICRO-INCHES [0.76um]	SS-52100-003
CONTACT PLATING IN MATING AREA	PART NUMBER



THIRD ANGLE PROJECTION
DRAWING IS SUBJECT TO CHANGE WITHOUT NOTICE
UNLESS OTHERWISE SPECIFIED DIMENSIONS INCHES [METRIC] TOLERANCES ARE:
ANGLES ± 1°
.XX [.X] ±.010" [±0.25]
.XXX [.XX] ±.008" [±0.20]
.XXXX [.XXX] ±.004" [±0.10]
DO NOT SCALE DRAWING
SHEET NO. 1 OF 1




 1118 Susquehanna Trail South
 Glen Rock, PA 17327-9199
 (717) 235-7512
<http://www.stewartconnector.com>

TITLE: USB 2.0 Stacked Right Angle Receptacle Type A

THIS DRAWING AND THE SUBJECT MATTER SHOWN THEREON ARE CONFIDENTIAL AND THE PROPRIETARY PROPERTY OF STEWART CONNECTOR AND SHALL NOT BE REPRODUCED, COPIED, OR USED IN ANY MANNER WITHOUT PRIOR WRITTEN CONSENT OF STEWART CONNECTOR. ONE OR MORE U.S. PATENTS MAY APPLY TO THIS PRODUCT. FOR DETAILS, PLEASE VISIT: HTTP://BELFUSE.COM/STEWART/STEWART_PATENTS/	DRN BY: GWL	DATE: 8/28/2017
	APPD BY: DHG	DATE: 8/29/2017
	DWG NO. CT520006	REV. A0