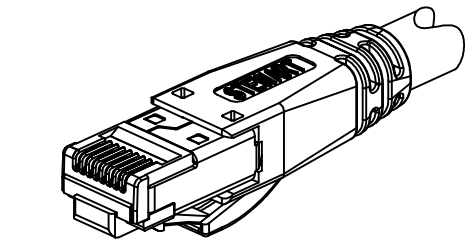
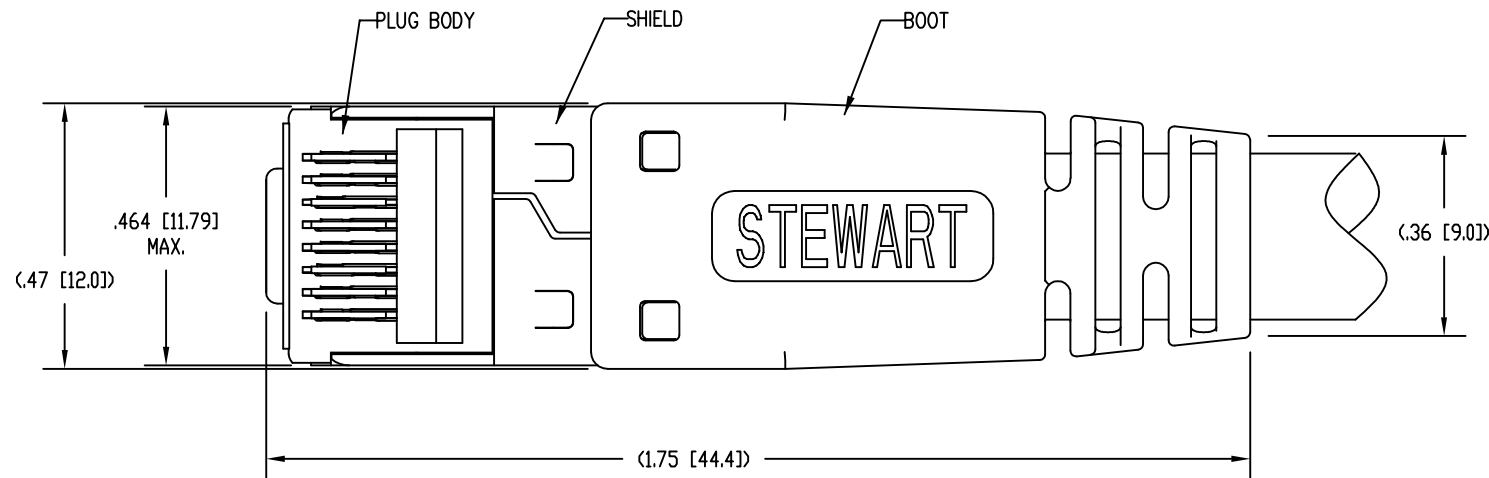


| DATE    | REV | ECN   | APP'D. BY |
|---------|-----|-------|-----------|
| 10-6-15 | B2  | 10435 | TRM       |
| 2-22-16 | B3  | 10555 | TRM       |
|         |     |       |           |

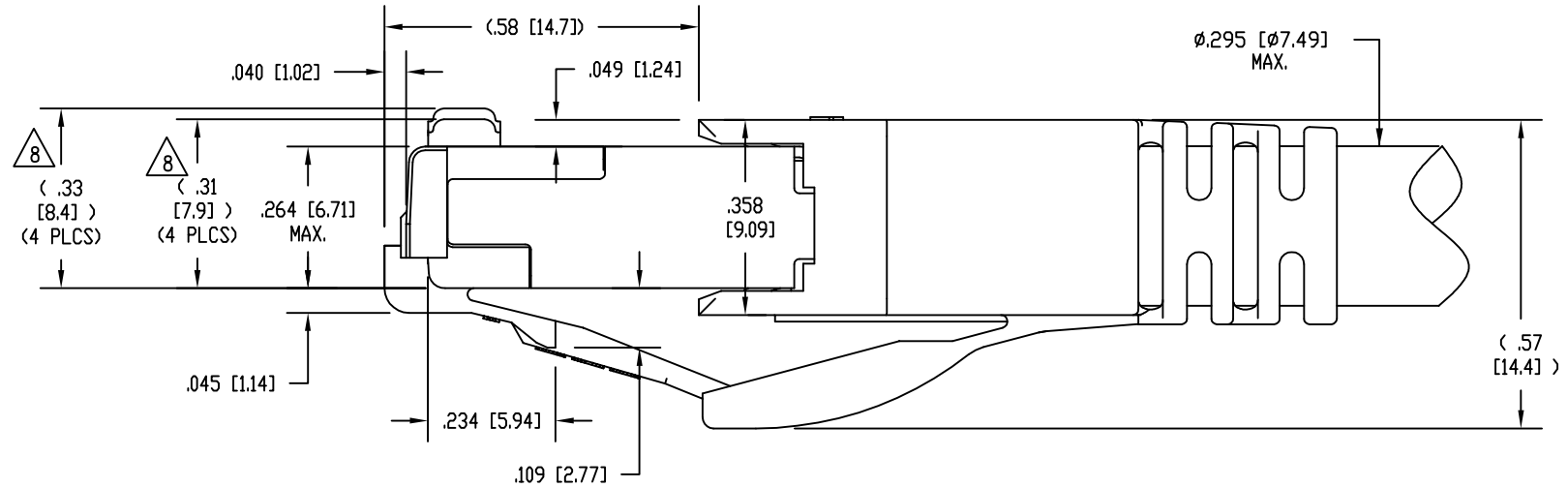
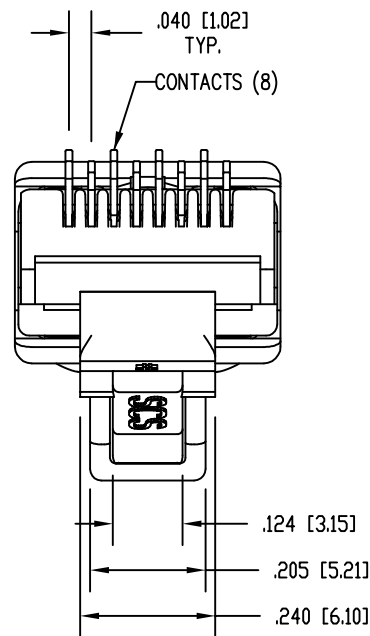


ISOMETRIC VIEW OF TERMINATED PLUG

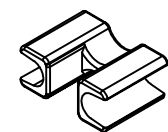


NOTES:

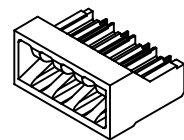
- PLUG KIT CONSISTS OF:  
 PRE-INSERTED PLUG BODY WITH SHIELD - 39200-321  
 LOAD BAR - 39200-899  
 BOOT - 39200-883  
 WIRE ALIGNER - 39100-864
- MATERIALS:  
 PLUG BODY: CLEAR POLYCARBONATE, UL 94-V0  
 BOOT : BLACK POLYCARBONATE, UL 94-V0  
 WIRE ALIGNER AND LOAD BAR: CLEAR POLYCARBONATE, UL 94-V0  
 CONTACTS: COPPER ALLOY, SELECTIVE GOLD PLATING  
 SHIELD: COPPER ALLOY, NICKEL PLATE
- FOR PRODUCT SPECIFICATION SEE PRO26-01.
- CONTACTS TERMINATE SOLID OR STRANDED CONDUCTORS BETWEEN .042 [1.07] TO .048 [1.22] OUTSIDE DIAMETER OF INSULATION.
- CRIMP IS FOR CABLES WITH OUTSIDE NOMINAL DIAMETERS OF .270 [6.86] TO .295 [7.49].
- INDIVIDUALLY BAGGED PLUG KITS (1 EACH PLUG BODY, LOAD BAR, WIRE ALIGNER, AND BOOT) PACKAGED 25 PER BOX.
- DIMENSIONS AND TOLERANCES COMPLY WITH TIA-1096 STANDARD FORMERLY FCC/CFR 47, PART 68.
- CONTACT HEIGHT BEFORE TERMINATION.  
 AFTER TERMINATION, THE CONTACT HEIGHT IS .237 [6.02] ±.005 [0.13].
- PRODUCT DESIGNED FOR CATEGORY 6 AND 6A APPLICATIONS.



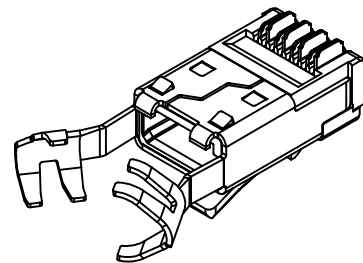
|                      |                                |              |
|----------------------|--------------------------------|--------------|
| BULK                 | 50 MICRO-INCHES [1.27um]       | SS-39200-030 |
| BAGGED $\triangle 6$ | 50 MICRO-INCHES [1.27um]       | SS-39200-027 |
| PACKAGING            | CONTACT PLATING IN MATING AREA | PART NUMBER  |



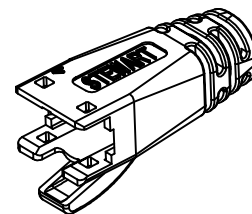
WIRE ALIGNER  
39100-864



LOAD BAR  
39200-899



PRE-INSERTED PLUG  
BODY WITH SHIELD  
39200-321

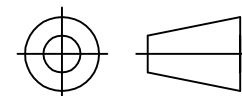


BOOT  
39200-883

RoHS



THIRD ANGLE PROJECTION



1118 Susquehanna Trail South  
Glen Rock, PA 17327-9199  
(717) 235-7512

<http://www.stewartconnector.com>

DO NOT SCALE DRAWING  
DRAWING IS SUBJECT TO  
CHANGE WITHOUT NOTICE

TITLE: 8 CONDUCTOR, 8 POSITION SHIELDED PLUG, WITH BOOT,  
LOAD BAR, AND WIRE ALIGNER, .048 MAX DIA WIRE

DIMENSIONS: INCHES [METRIC]  
UNLESS OTHERWISE SPECIFIED  
TOLERANCES ARE ±.005 [0.13]  
ANGLES ARE ± 1°

THIS DRAWING AND THE SUBJECT MATTER SHOWN THEREON  
ARE CONFIDENTIAL AND THE PROPRIETARY PROPERTY OF  
STEWART CONNECTOR AND SHALL NOT BE REPRODUCED,  
COPIED, OR USED IN ANY MANNER WITHOUT PRIOR WRITTEN  
CONSENT OF STEWART CONNECTOR. ONE OR MORE U.S. PATENTS  
MAY APPLY TO THIS PRODUCT. FOR DETAILS, PLEASE  
VISIT: [HTTP://BELFUSE.COM/STEWART/STEWART\\_PATENTS/](http://BELFUSE.COM/STEWART/STEWART_PATENTS/)

DRN BY: DHG DATE 8-22-12

APPD BY: SAW DATE 2-13-13

DWG NO. CT390094 REV. B3

SHEET NO. 1 OF 1